

SC15DL MBP/HBP Compressor R404A/R507 220-240V 50Hz

Data Sheet (Replaces CF.54.M2.02)

General

Compressor	SC15DL
Code number	104L2856

Application

Application	MBP/HBP	
Evaporating temperature range	°C	-20 to 15
Voltage range	V/Hz	198 - 254 /50
Motor type	CSR	
Max. ambient temperature	°C	38
Comp. cooling at ambient temp.	32°C	F ₂
	38°C	F ₂

Design

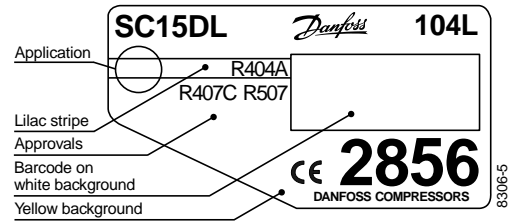
Displacement	cm ³	15.28
Oil quantity	cm ³	600
Maximum refrigerant charge	g	1300
Free gas vol. in compressor	cm ³	1460
Weight without electrical equipment	kg	13.5

Motor

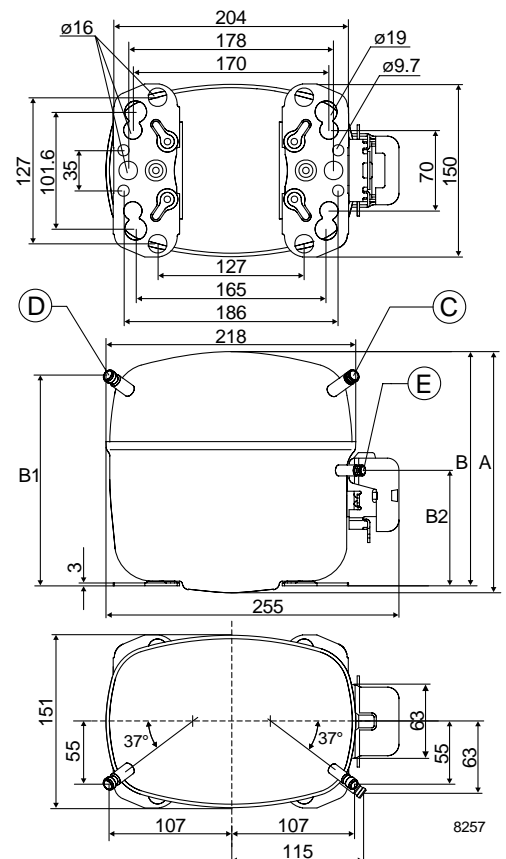
Motor size	watt	550
LRA (rated after 4 sec. UL984) HST	A	21.8
Cut-in current HST	A	21.8
Resistance, main and start winding (25°C)	Ω	3.5/12.2
Approvals	EN 60335-2-34	

Dimensions

Height	mm	A	219
		B	213
		B1	193
		B2	110
Suction connector	location/I.D. mm	C	10.2 ±0.09
Process connector	location/I.D. mm	D	6.2 ±0.09
Discharge connector	location/I.D. mm	E	6.2 ±0.09
Compressors on a pallet	pcs.	80	



- S = Static cooling normally sufficient
- O = Oil cooling
- F₁ = Fan cooling 1.5 m/s
(compressor compartment temperature equal to ambient temperature)
- F₂ = Fan cooling 3.0 m/s necessary



Capacity (EN 12900/CECOMAF)

watt

Comp. °C	-20	-15	-10	-5	0	5	7.2	10	15
SC15DL	759	964	1207	1493	1825	2210	2397	2652	3156

Capacity (ASHRAE)

watt

Comp. °C	-20	-15	-10	-5	0	5	7.2	10	15
SC15DL	881	1121	1405	1740	2131	2585	2807	3109	3710

Power consumption

watt

Comp. °C	-20	-15	-10	-5	0	5	7.2	10	15
SC15DL	589	659	722	778	825	865	879	896	918

Current consumption

A

Comp. °C	-20	-15	-10	-5	0	5	7.2	10	15
SC15DL	3.09	3.46	3.79	4.07	4.31	4.50	4.57	4.64	4.75

COP (EN 12900/CECOMAF)

W/W

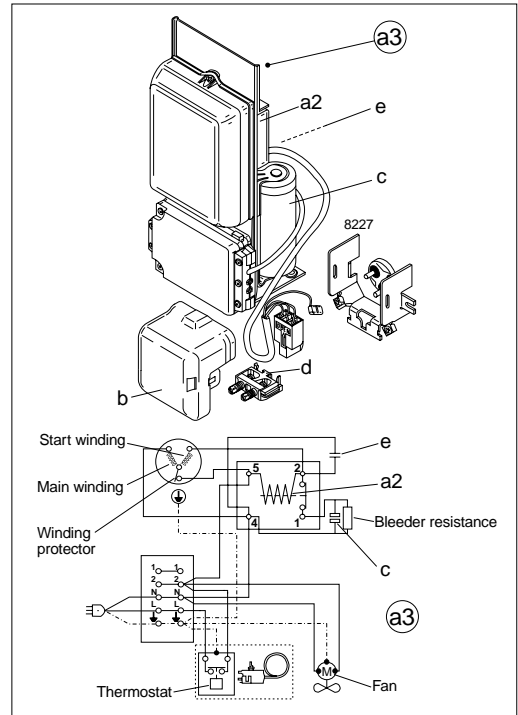
Comp. °C	-20	-15	-10	-5	0	5	7.2	10	15
SC15DL	1.29	1.46	1.67	1.92	2.21	2.56	2.73	2.96	3.44

COP (ASHRAE)

W/W

Comp. °C	-20	-15	-10	-5	0	5	7.2	10	15
SC15DL	1.50	1.70	1.95	2.24	2.58	2.99	3.19	3.47	4.04

Test conditions	EN 12900/CECOMAF	ASHRAE
Condensing temperature	45°C	45°C
Ambient and suction gas temp.	32°C	32°C
Liquid temperature	45°C	32°C
Fan cooling F ₂ , 220V 50Hz		



Accessories

Devices	Fig.	SC15DL
Starting device	a3	117-7028 (470 mm cable length) 117-7029 (550 mm cable length) 117-7032 (650 mm cable length)
Cover	b	103N2009
Starting relay	a2	Components of starting device
Starting capacitor	c	
Run capacitor	e	
Cord relief	d	103N1004
Mounting accessories		
Bolt joint for one compressor		118-1917
Bolt joint in quantities		118-1918
Snap-on in quantities		118-1919