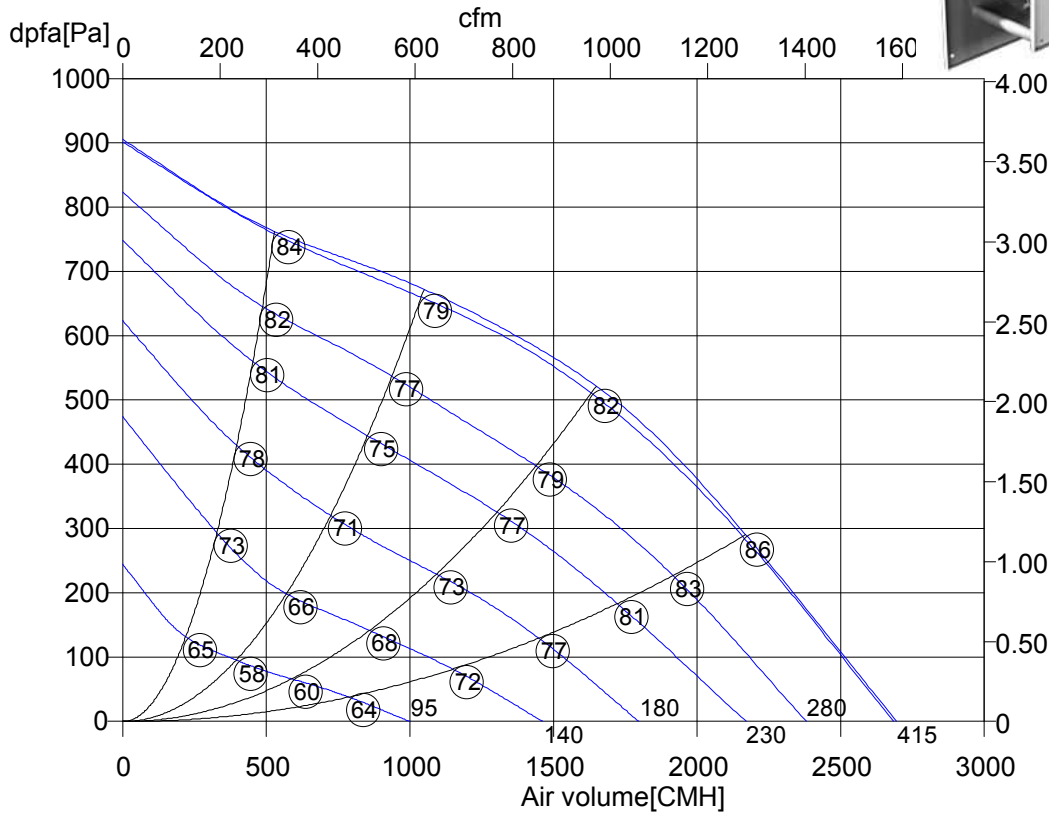


Friday, 22.December 2017

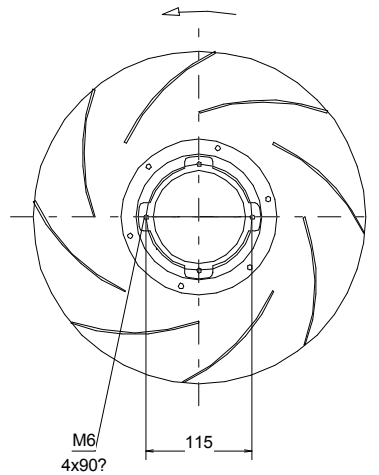
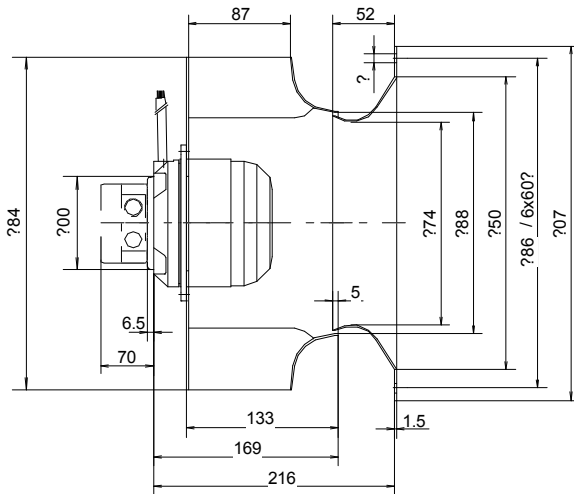
Free running impeller

With backward curved 8-blade aluminium high efficiency impeller



DKH_280-2_W087.5FA	
Art. No.	
U[V]	400 D
f[Hz]	50
P[kW]	0.7
I[A]	1.3
n[1/min]	2610
C[db]	-
tR[db]	60
dpst[Pa]	-
Delta I[%]	-
Ia/In	3.6
IP	54
Weight[kG]	8.5
Wir. diag.	01.006

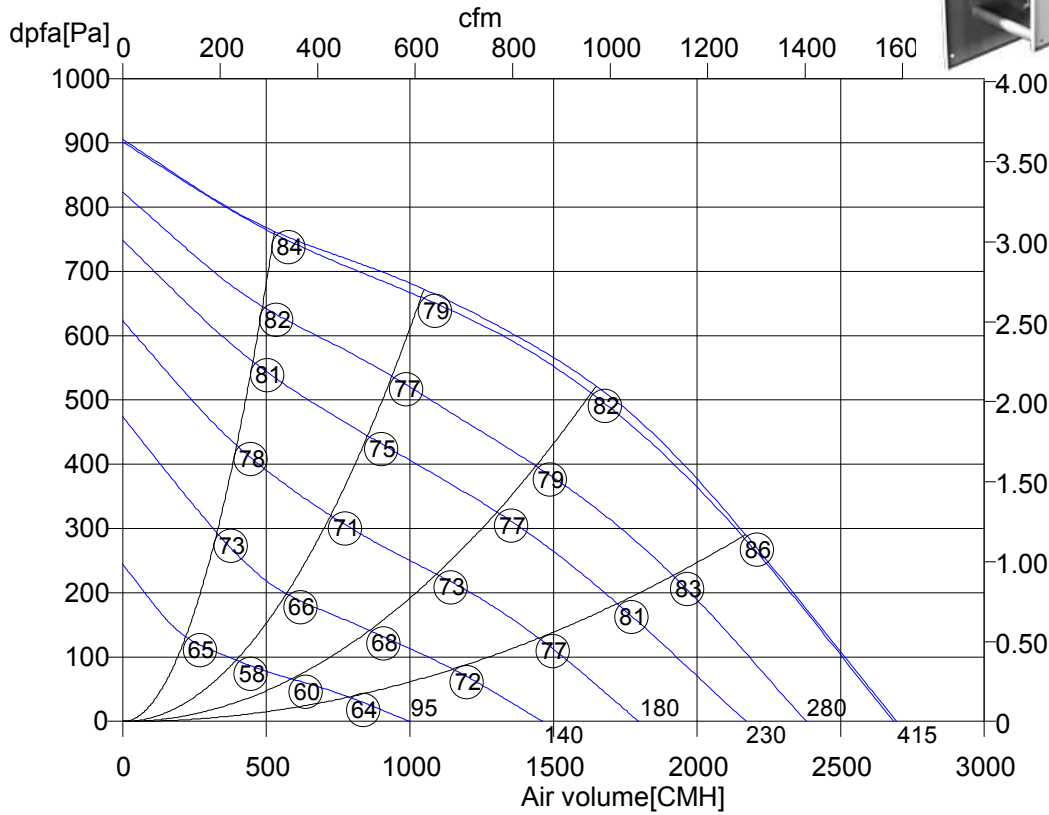
○ Sound power level
 LwA6[dBA]



Friday, 22.December 2017

Free running impeller

With backward curved 8-blade aluminium high efficiency impeller



DKH_280-2_W087.5FA	
Art. No.	
U[V]	400 D
f[Hz]	50
P[kW]	0.7
I[A]	1.3
n[1/min]	2610
C[db]	-
tR[db]	60
dpst[Pa]	-
Delta I[%]	-
Ia/In	3.6
IP	54
Weight[kG]	8.5
Wir. diag.	01.006

○ Sound power level
 LwA6[dBA]

