



# 172x150x51mm / 6x2inch

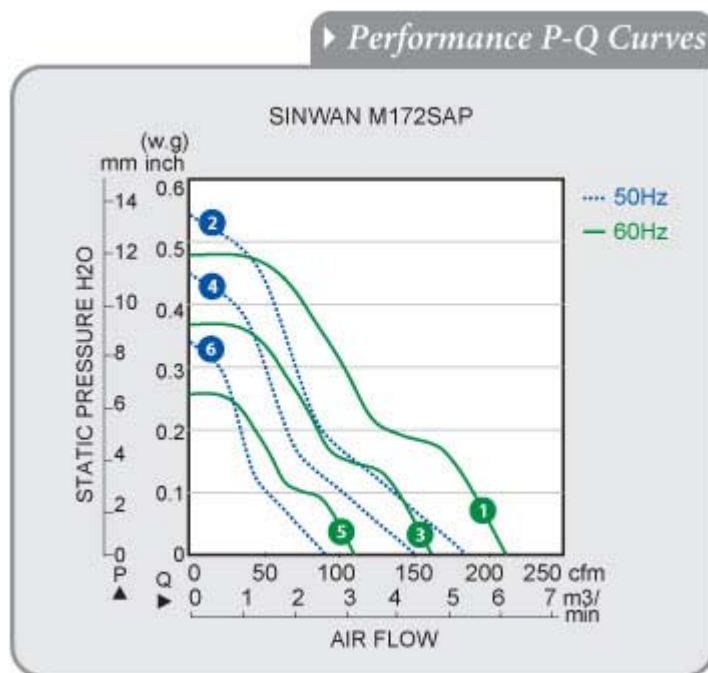
## 210~95 CFM

IP55 Rated, All Metal Fan

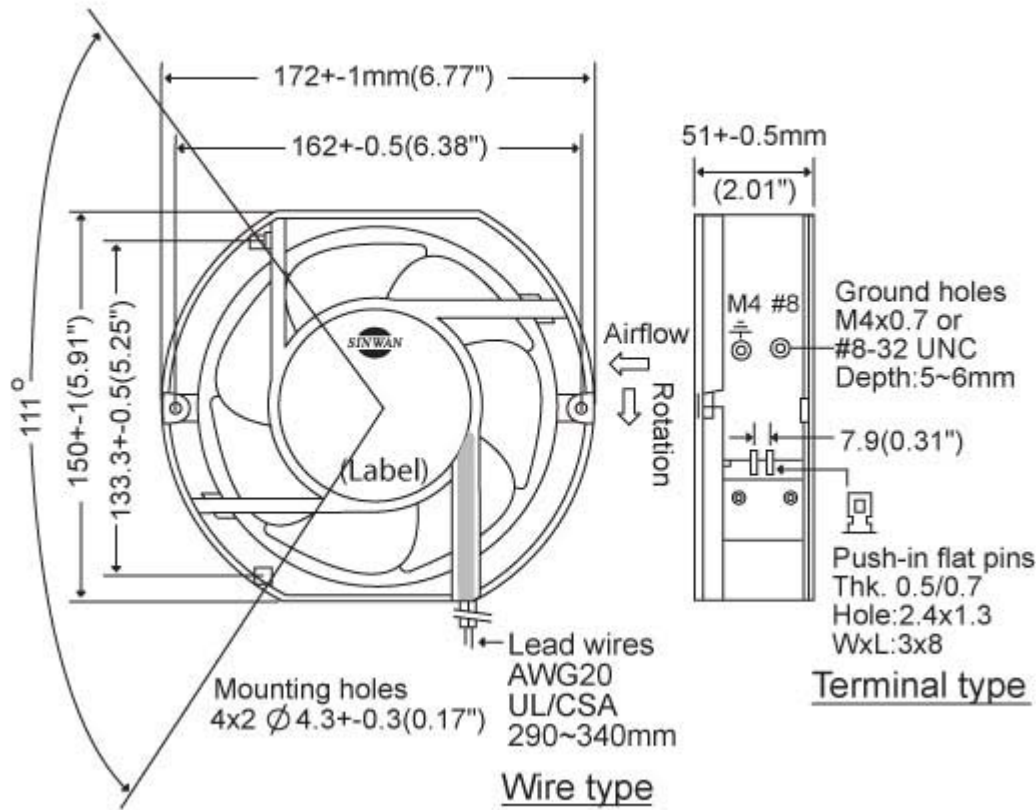
Model No	Rated Volt	Voltage Range	Freq	Input Power	Ref. Speed	Max.Airflow		Max.Static Pressure		Noise Level	PQ
	VAC	VAC	Hz	Watt	RPM	CFM	m3/min	Inch/H2O	mm	db(A)	
M172SAP11-1** (100)	100	100~120	50/60	47/42	2750/3100	185/210	5.2/5.9	0.55/0.49	13.97/12.45	58	2/1
M172SAP11-1**	115	100~120	50/60	47/42	2750/3100	185/210	5.2/5.9	0.55/0.49	13.97/12.45	58	2/1
M172SAP11-2**	115	100~120	50/60	35/32	2300/2400	150/160	4.2/4.5	0.45/0.38	11.43/9.65	48	4/3
M172SAP11-3**	115	100~120	50/60	23/20	1500/1600	95/105	2.7/3	0.32/0.26	8.13/6.6	35	6/5
M172SAP11-1/2 dual speed	115	100~120	50/60	47/42 35/32	2750/3100 2300/2400	185/210 150/160	5.2/5.9 4.2/4.5	0.55/0.49 0.45/0.38	13.97/12.45 11.43/9.65	58 48	
M172SAP11-1/2/3 triple speed	115	100~120	50/60	47/42 35/32 23/20	2750/3100 2300/2400 1500/1600	185/210 150/160 95/105	5.2/5.9 4.2/4.5 2.7/3	0.55/0.49 0.45/0.38 0.32/0.26	13.97/12.45 11.43/9.65 8.13/6.6	58 48 35	
M172SAP22-1** (200)	200	200~240	50/60	47/42	2750/3100	185/210	5.2/5.9	0.55/0.49	13.97/12.45	58	2/1
M172SAP22-1**	230	200~240	50/60	47/42	2750/3100	185/210	5.2/5.9	0.55/0.49	13.97/12.45	58	2/1
M172SAP22-2**	230	200~240	50/60	35/32	2300/2400	150/160	4.2/4.5	0.45/0.38	11.43/9.65	48	4/3
M172SAP22-3**	230	200~240	50/60	23/20	1500/1600	95/105	2.7/3	0.32/0.26	8.13/6.6	35	6/5
M172SAP22-1** (240)	240	200~240	50/60	47/42	2750/3100	185/210	5.2/5.9	0.55/0.49	13.97/12.45	58	2/1
M172SAP22-1/2 dual speed	230	200~240	50/60	47/42 35/32	2750/3100 2300/2400	185/210 150/160	5.2/5.9 4.2/4.5	0.55/0.49 0.45/0.38	13.97/12.45 11.43/9.65	58 48	
M172SAP22-1/2/3 triple speed	230	200~240	50/60	47/42 35/32 23/20	2750/3100 2300/2400 1500/1600	185/210 150/160 95/105	5.2/5.9 4.2/4.5 2.7/3	0.55/0.49 0.45/0.38 0.32/0.26	13.97/12.45 11.43/9.65 8.13/6.6	58 48 35	
M172SAP11/22-1** dual voltage	115 230	100~120 200~240	50/60	47/42	2750/3100	185/210	5.2/5.9	0.55/0.49	13.97/12.45	58	2/1
M172SAP2-1**	12	12~14	50/60	47/42	2750/3100	185/210	5.2/5.9	0.55/0.49	13.97/12.45	58	2/1
M172SAP4-1**	24	24~28	50/60	47/42	2750/3100	185/210	5.2/5.9	0.55/0.49	13.97/12.45	58	2/1
M172SAP6-1**	28	28~34	50/60	47/42	2750/3100	185/210	5.2/5.9	0.55/0.49	13.97/12.45	58	2/1
M172SAP8-1**	48	48~58	50/60	47/42	2750/3100	185/210	5.2/5.9	0.55/0.49	13.97/12.45	58	2/1
M172SAP38-1**	380	380~420	50/60	47/42	2750/3100	185/210	5.2/5.9	0.55/0.49	13.97/12.45	58	2/1
M172SAP44-1**	440	420~480	50/60	47/42	2750/3100	185/210	5.2/5.9	0.55/0.49	13.97/12.45	58	2/1

- \*\* = "WB" for wire lead type Ball bearing, or "TB" for terminal type Ball bearing
- 100, 200, 240V or special voltages 12, 24, 28, 38, 42, 48, 380, 440, 480V... 50/60Hz, & any voltages available.
- Dual speed High/Medium 1/2, Medium/Low 2/3 available on request.
- Sinwan reserves the right to change data and improve electrical & mechanical design without notice, data tolerance +-10%

Motor	
Motor Type:	Shaded pole induction, outer rotor, 1-phase
Burnout Protection:	Thermal protector
IP Protection:	IP55
Mechanical	
Frame:	Aluminum die cast, black color(AP)
Impeller:	7 blades, all metal
Bearing:	Two ball bearings
Rotation:	CCW seen on rotor
Connection:	Wire lead or terminal flat pin connecting
Weight:	1,200 g (2.65 Lbs)
Electrical	
Dielectric Strength:	Over 1 min. at 1,500 VAC, 0.5mA, 50/60Hz
Insulation Resistance:	Over 100 MΩ at DC 500V
Signal Output:	Optional:R/D alarm output, tachometer output
Environment	
Operating Temp:	Ambient non-condensing -30~+80C
Storage Temp:	-40C~+100C (at 65%RH)
Life Expectancy:	L10 50K hours at 55C



▶ Outline Dimensions



Relevant products



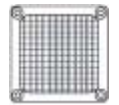
Metal Fan Guard  
G172-10H



Plastic Fan Guard  
G172P



Plastic Fan Filter  
GRM172-30



Metal Fan Screen  
MF172S-30N

