



• AC • M205AN



205x205x72mm / 8x2.8inch

640~220 CFM

IP56 Rated, All Metal Fan

Model No	Rated Volt	Voltage Range	Freq	Input Power	Ref. Speed	Max.Airflow	Max.Static Pressure		Noise Level	PQ	
	VAC	VAC	Hz	Watt	RPM	CFM	m3/min	Inch/H2O	mm	db(A)	
M205AN11-1**	115	100~120	50/60	95/105	2800/3200	560/640	15.9/18.1	1.05/1.08	26.67/27.43	68	2/1
M205AN11-2**	115	100~120	50/60	80/95	2300/2250	460/465	13/13.2	0.69/0.52	17.53/13.21	58	4/3
M205AN11-3**	115	100~120	50/60	32/40	1500/1650	310/330	8.8/9.3	0.38/0.29	9.65/7.37	48	6/5
M205AN11-4**	115	100~120	50/60	24/33	1200/1100	240/220	6.8/6.2	0.21/0.14	5.33/3.56	35	8/7
M205AN11-1/2**	115	100~120	50/60	95/105	2800/3200	560/640	15.9/18.1	1.05/1.08	26.67/27.43	68	
dual speed				80/95	1500/1600	310/330	8.8/9.3	0.38/0.29	9.65/7.37	35	
M20511-3/4**	115	100~120	50/60	32/40	1500/1600	310/330	8.8/9.3	0.38/0.29	9.65/7.37	35	
dual speed				24/33	1200/1100	240/220	6.8/6.2	0.21/0.14	5.33/3.56	35	
M205AN22-1**	230	200~240	50/60	95/105	2800/3200	560/640	15.9/18.1	1.05/1.08	26.67/27.43	68	2/1
M205AN22-2**	230	200~240	50/60	80/95	2300/2250	460/465	13/13.2	0.69/0.52	17.53/13.21	58	4/3
M205AN22-3**	230	200~240	50/60	32/40	1500/1600	310/330	8.8/9.3	0.38/0.29	9.65/7.37	48	6/5
M205AN22-4**	230	200~240	50/60	24/33	1200/1100	240/220	6.8/6.2	0.21/0.14	5.33/3.56	35	8/7
M205AN22-1/2**	230	200~240	50/60	95/105	2800/3200	560/640	15.9/18.1	1.05/1.08	26.67/27.43	68	
dual speed				80/95	1500/1600	310/325	8.8/9.2	0.47/0.28	11.94/7.11	48	
M205AN22-3/4	230	200~240	50/60	32/40	1500/1600	310/325	8.8/9.2	0.47/0.28	11.94/7.11	48	
dual speed				24/33	1200/1100	240/220	6.8/6.2	0.38/0.17	9.65/4.32	35	
M205AN11/22**	115	100~120	50/60	95/105	2800/3200	560/640	15.9/18.1	1.05/1.08	26.67/27.43	68	2/1
dual voltage	230	200~240									
M205AN8-1**	48	48~58	50/60	95/105	2800/3150	560/640	15.9/18.1	1.05/1.08	26.67/27.43	68	2/1
M205AN38-1**	380	380~420	50/60	95/105	2800/3150	560/640	15.9/18.1	1.05/1.08	26.67/27.43	68	2/1
M205AN44-1**	440	440~480	50/60	95/105	2800/3150	560/640	15.9/18.1	1.05/1.08	26.67/27.43	68	2/1

- ** = "WB" for wire lead type Ball bearing, or "TB" for terminal type Ball bearing
- 100, 200, 240V or special voltages 12, 24, 28, 38, 42, 48, 380, 440, 480V... 50/60Hz, & any voltages available.
- Dual speed High/Medium 1/2, Medium/Low 2/3 available on request.
- Sinwan reserves the right to change data and improve electrical & mechanical design without notice, data tolerance +-10%

Motor

Motor Type:	Capacitor induction, outer rotor, 1-phase
Burnout Protection:	Thermal protector
IP Protection:	IP56

Mechanical

Frame:	Aluminum die cast, natural color(AN)
Impeller:	7 blades, all metal
Bearing:	Two ball bearings
Rotation:	CCW seen on rotor
Connection:	Wire lead or terminal flat pin connecting
Weight:	2,350g

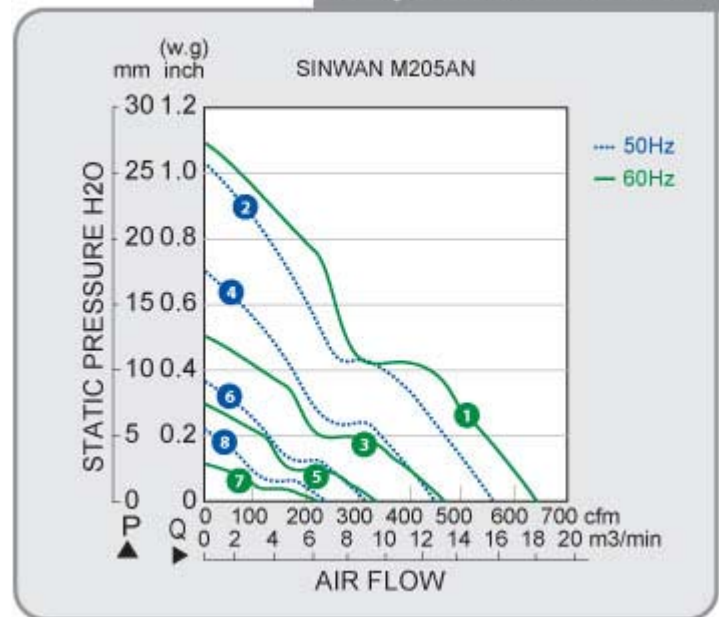
Electronical

Dielectric Strength:	Over 1 min. at 1,500 VAC, 0.5mA, 50/60Hz
Insulation Resistance:	Over 100 MΩ at DC 500V
Signal Output:	Optional:R/D alarm output, tachometer output

Environment

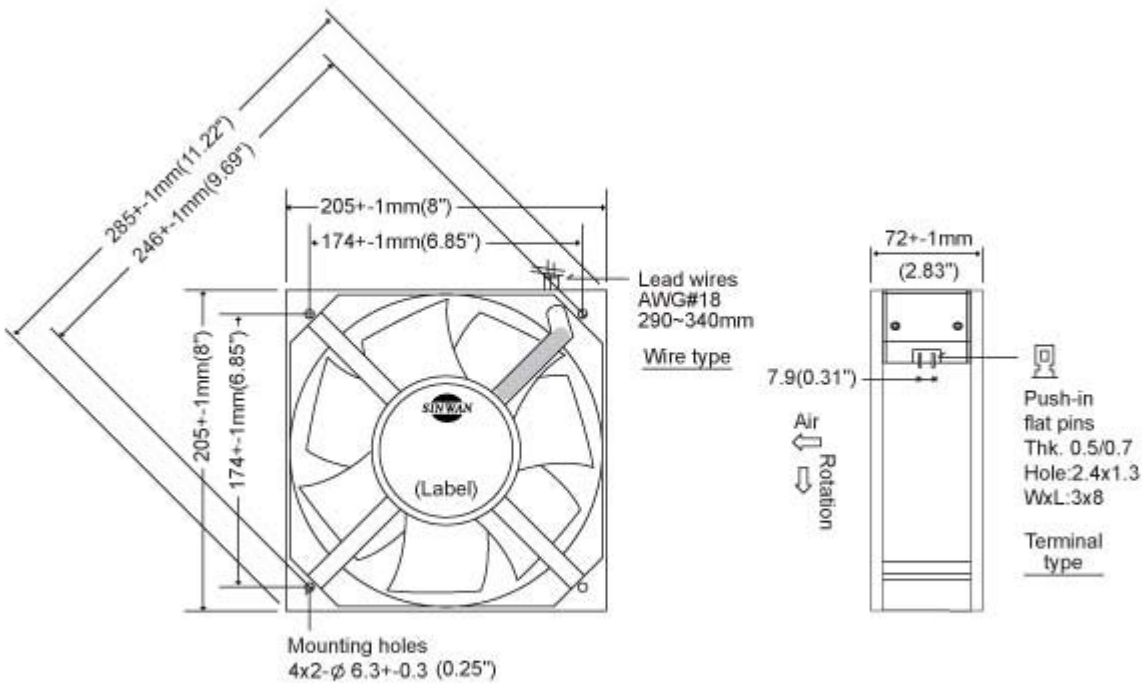
Operating Temp:	Ambient non-condensing -30~+80C
Storage Temp:	-40C~+100C (at 65%RH)
Life Expectancy:	L10 50K hours at 55C

Performance P-Q Curves



- Nomenclature
- F/G Tach
- R/D Alarm
- Dual Voltage
- Multiple Speed
- IP Report

▶ Outline Dimensions



Relevant products



Metal Fan Guard
G205-8D



SINWAN Email: info@sinwan.com.tw http://www.sinwan.com.tw