



• AC • M254GAN



Dia.254x89mm / 10x3.5inch 1000~370 CFM

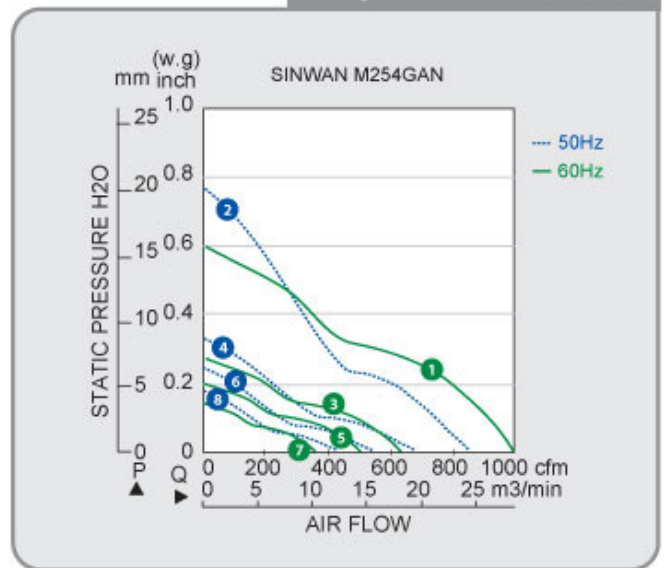
IP56 Rated, All Metal Fan

Model No	Rated Volt	Voltage Range	Freq	Input Power	Ref. Speed	Max.Airflow		Max.Static Pressure		Noise Level	PQ
	VAC	VAC	Hz	Watt	RPM	CFM	m3/min	Inch/H2O	mm	db(A)	
M254GAN11-1**	115	100~120	50/60	95/105	2800/3250	840/1000	23.8/28.3	0.78/0.60	19.81/15.24	70	2/1
M254GAN11-2**	115	100~120	50/60	80/95	2300/2200	660/620	18.7/17.6	0.33/0.27	8.38/6.86	63	4/3
M254GAN11-3**	115	100~120	50/60	32/40	1600/1500	560/500	15.9/14.2	0.25/0.20	6.35/5.08	46	6/5
M254GAN11-4**	115	100~120	50/60	24/33	1200/1100	420/370	11.9/10.5	0.18/0.14	4.57/3.56	34	8/7
M254GAN11-1/2** dual speed	115	100~120	50/60	95/105	2800/3250	840/1000	23.8/28.3	0.78/0.60	19.81/15.24	70	
				80/95	2300/2200	660/620	18.7/17.6	0.33/0.27	8.38/6.86	63	
M254GAN11-3/4** dual speed	115	100~120	50/60	32/40	1600/1500	560/500	15.9/14.2	0.25/0.20	6.35/5.08	46	
				24/33	1200/1100	420/370	11.9/10.5	0.18/0.14	4.57/3.56	34	
M254GAN22-1**	230	200~240	50/60	95/105	2750/3250	840/1000	23.8/28.3	0.78/0.60	19.81/15.24	70	2/1
M254GAN22-2**	230	200~240	50/60	80/95	2300/2200	660/620	18.7/17.6	0.33/0.27	8.38/6.86	63	4/3
M254GAN22-3**	230	200~240	50/60	32/40	1500/1600	500/560	14.2/15.9	0.53/0.60	13.46/15.24	50	6/5
M254GAN22-4**	230	200~240	50/60	24/33	1200/1100	420/370	11.9/10.5	0.18/0.14	4.57/3.56	34	8/7
M254GAN22-1/2** dual speed	230	200~240	50/60	95/105	2800/3250	840/1000	23.8/28.3	0.78/0.60	19.81/15.24	70	
				80/95	2300/2200	660/620	18.7/17.6	0.33/0.27	8.38/6.86	63	
M254GAN22-3/4** dual speed	230	200~240	50/60	32/40	1600/1500	560/500	15.9/14.2	0.25/0.20	6.35/5.08	46	
				24/33	1200/1100	420/370	11.9/10.5	0.18/0.14	4.57/3.56	34	
M254GAN11/22-1** dual voltage	115 230	100~120 200~240	50/60	95/105	2750/3250	840/1000	23.8/28.3	1.05/1.15	26.67/29.21	70	2/1
M254GAN8-1**	48	48~58	50/60	95/105	2800/3200	830/1000	23.5/28.3	0.78/0.60	19.81/15.24	70	2/1
M254GAN38-1**	380	380~420	50/60	95/105	2800/3250	840/1000	23.8/28.3	0.78/0.60	19.81/15.24	70	2/1
M254GAN44-1**	440	440~480	50/60	95/105	2800/3250	840/1000	23.8/28.3	0.78/0.60	19.81/15.24	70	2/1

- ** = "WB" for wire lead type Ball bearing, or "TB" for terminal type Ball bearing
- 100, 200, 240V or special voltages 12, 24, 28, 38, 42, 48, 380, 440, 480V... 50/60Hz, & other voltages available on request.
- Dual speed High/Medium 1/2, Medium/Low 2/3 available on request.
- Sinwan reserves the right to change data and improve electrical & mechanical design without notice, data tolerance +-10%

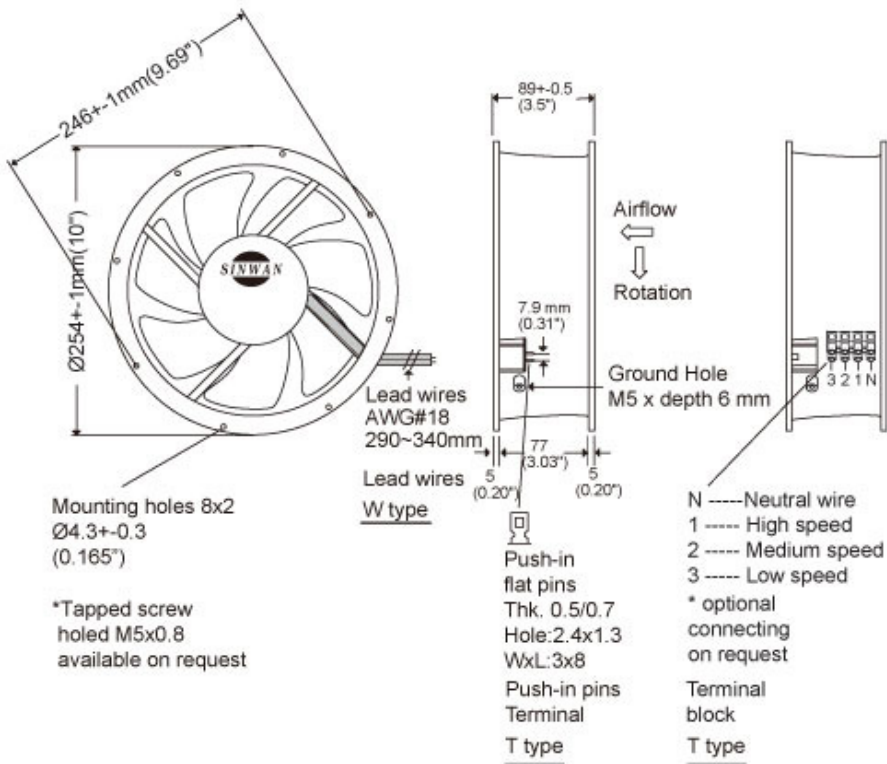
Motor	
Motor Type:	Capacitor induction, outer rotor, 1-phase
Burnout Protection:	Thermal protector
IP Protection:	IP56
Mechanical	
Frame:	Aluminum die cast, natural color(AN)
Impeller:	7 blades, all metal
Bearing:	Two ball bearings
Rotation:	CCW seen on rotor
Connection:	Wire lead or terminal flat pin connecting
Weight:	2,550 g
Electrical	
Dielectric Strength:	Over 1 min. at 1,500 VAC, 0.5mA, 50/60Hz
Insulation Resistance:	Over 100 MΩ at DC 500V
Signal Output:	Optional:R/D alarm output, tachometer output
Environment	
Operating Temp:	Ambient non-condensing -30~+80C
Storage Temp:	-40C~+100C (at 65%RH)
Life Expectancy:	L10 50K hours at 55C

► Performance P-Q Curves



- ↓ Nomenclature
- F/G Tach
- R/D Alarm
- ⚡ Dual Voltage
- ⚙ Multiple Speed
- IP Report

► Outline Dimensions



Relevant products



Metal Fan Guard
 G254-9D, G254-9DU



Email: sinwanfan@sinwan.com.tw http://www.sinwan.com.tw
SINWAN