



80x80x38mm / 3x1.5 inch

33~18 CFM

All Metal

Sinwan Model No.	Rated Voltage VAC	Voltage Range VAC	Freq. Hz	Input Power Watt	Referenced Speed RPM	Max. Airflow CFM	m3/min	Max. Static Pressure Inch/H2O	mm	Noise Level dB (A)	PQ Curves
M838AP11-1**	115	100~120	50/60	15/13	2750/3200	28/33	0.79/0.93	0.15/0.18	3.8/4.6	35	2 / 1
M838AP11-2**	115	100~120	50/60	12/10	2200/2500	23/26	0.65/0.74	0.12/0.14	3.0/3.6	30	4 / 3
M838AP11-3**	115	100~120	50/60	8/6	1700/1900	18/21	0.51/0.59	0.07/0.08	1.8/2.0	23	6 / 5
M838AP22-1**	230	200~240	50/60	15/13	2750/3200	28/33	0.79/0.93	0.15/0.18	3.8/4.6	35	2 / 1
M838AP22-2**	230	200~240	50/60	12/10	2200/2500	23/26	0.65/0.74	0.12/0.14	3.0/3.6	30	4 / 3
M838AP22-3**	230	200~240	50/60	8/6	1700/1900	18/21	0.51/0.59	0.07/0.08	1.8/2.0	23	6 / 5
M838AP11/22-1** dual voltage	115 230	100~120 200~240	50/60	15/13	2750/3200	28/33	0.79/0.93	0.15/0.18	3.8/4.6	35	2 / 1
M838AP2-1**	12	12~14	50/60	15/13	2750/3200	28/33	0.79/0.93	0.15/0.18	3.8/4.6	35	2 / 1
M838AP4-1**	24	24~28	50/60	15/13	2750/3200	28/33	0.79/0.93	0.15/0.18	3.8/4.6	35	2 / 1
M838AP6-1**	28	28~34	50/60	15/13	2750/3200	28/33	0.79/0.93	0.15/0.18	3.8/4.6	35	2 / 1
M838AP8-1**	48	48~58	50/60	15/13	2750/3200	28/33	0.79/0.93	0.15/0.18	3.8/4.6	35	2 / 1
M838AP38-1**	380	380~420	50/60	15/13	2750/3200	28/33	0.79/0.93	0.15/0.18	3.8/4.6	35	2 / 1
M838AP44-1**	440	440~480	50/60	15/13	2750/3200	28/33	0.79/0.93	0.15/0.18	3.8/4.6	35	2 / 1

** = "WB" for wire lead type Ball bearing, or "TB" for terminal type Ball bearing.

- 100, 200, 240V or special voltages 12, 24, 28, 38, 42, 48, 380, 440, 480V... 50/60Hz, & any voltages available.
- Dual speed High/Medium 1/2, Medium/Low 2/3 available on request.
- Sinwan reserves the right to change data and improve electrical & mechanical design without notice.

Motor

- Motor: Shaded pole induction motor, outer rotor
- Motor Protection: Impedance protected

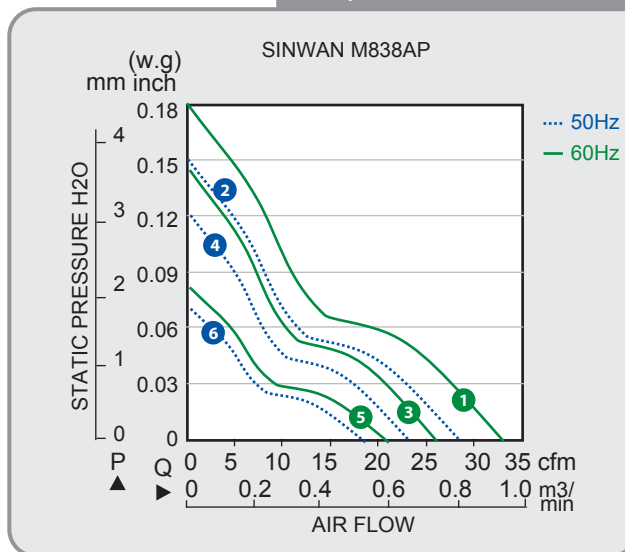
Material

- Frame: Aluminum die-cast, black color
- Impeller: Metal 9 blades
- Bearing: Two ball bearings

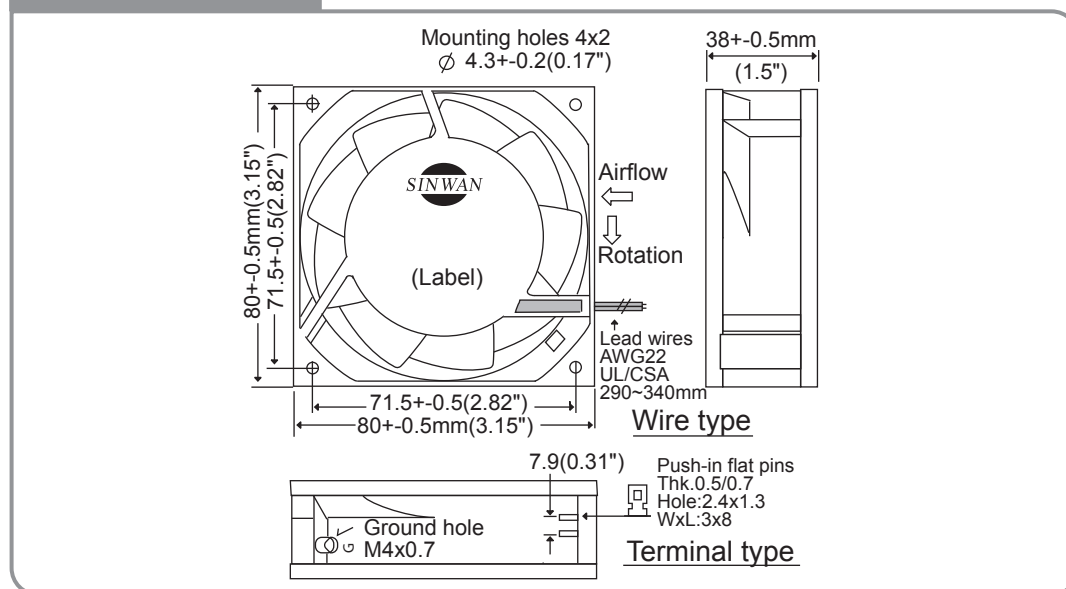
Other

- Rotation: CW view from label side
- Operating Temp: -30°C~+80°C (non-condensing)
- Storage Temp: -40°C~+100°C (at 65%RH)
- Life Expectancy: 50,000 hours at 55°C
- Dielectric Strength: Over 1 min. at 1,500 VAC, 50/60Hz
- Insulation Resistance: Over 100 MΩ at DC 500V
- IP Protection: IP55
- Connection: Wire leads or terminal type
- Weight: 430 g (0.95 Lbs)

Performance P-Q Curves



Outline Dimensions



Fan Accessories

- Metal Fan Guards G80-18 P.35
- Plastic Fan Guards G80P, G8082, G80P4 P.36
- Metal Fan Screens MF80S-30N P.38

