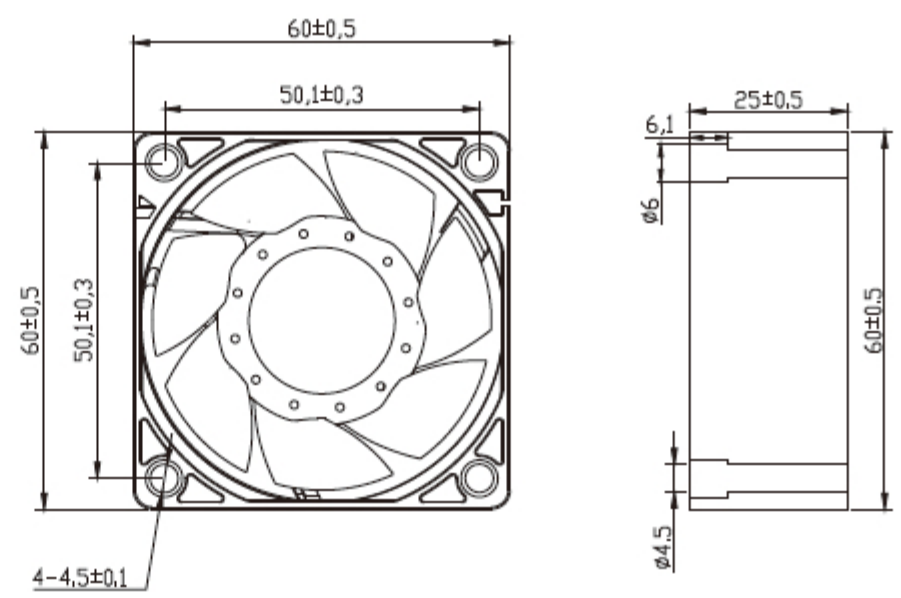
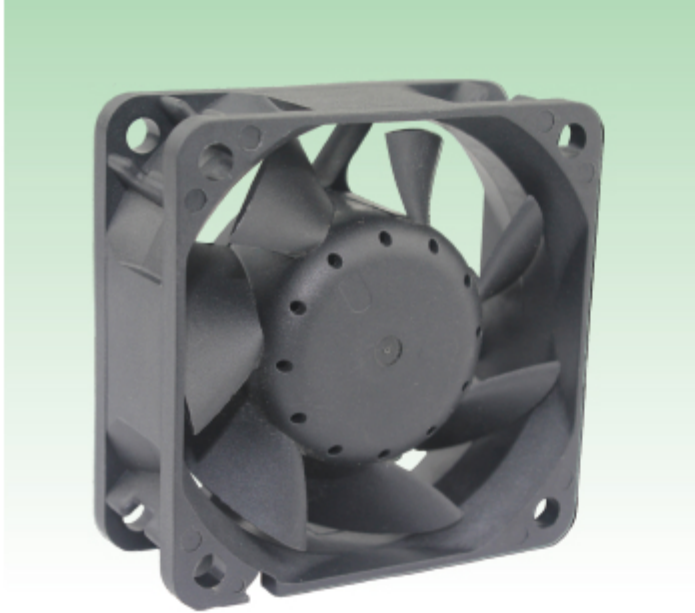




DC AXIAL FAN

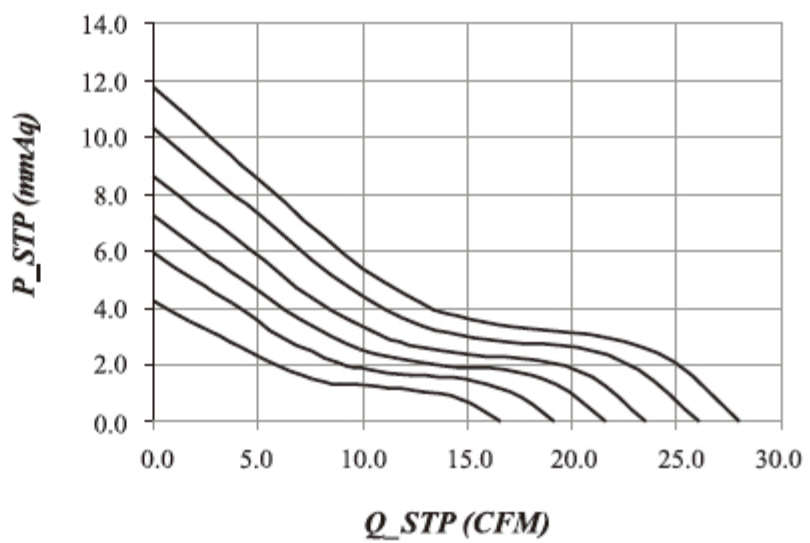
60*60*25MM 2 SERIES

DIMENSIONS DRAWING



Bearing Type
Ball Bearings
Material
Impeller & Frame: plastic(UL94V-0)
Red Wire Positive(+)
Black Wire Negative(-)
Weight: 61.2g

P & Q CURVE (AT RATED VOLTAGE)



MODEL		Rated Voltage	Operating Voltage Range	Rated Current	Rated Input power	Speed	Maximum Air Flow		Maximum Air Pressure		noise
PART NO.	FUNCTION	VDC	VDC	Amp	Watt	R.P.M.	m3/min	CFM	mmH2O	INH2O	dB-A
JL-6025L12	ROO/FOO	12	6.0to13.5	0.11	1.32	3500	0.409	16.555	4.264	0.167	32.6
JL-6025L24	ROO/FOO	24	18to26.5	0.07	1.68						
JL-6025M12	ROO/FOO	12	6.0to13.5	0.17	2.04	4000	0.542	19.158	5.944	0.234	36.9
JL-6025M24	ROO/FOO	24	18to26.5	0.1	2.4						
JL-6025M48	ROO/FOO	48	36to54	0.05	2.4						
JL-6025H12	ROO/FOO	12	6.0to13.5	0.19	2.28	4500	0.612	21.62	7.236	0.285	38
JL-6025H24	ROO/FOO	24	18to26.5	0.11	2.64						
JL-6025H48	ROO/FOO	48	36to54	0.06	2.88						
JL-6025H12-HH	ROO/FOO	12	6.0to13.5	0.23	2.76	5000	0.668	23.596	8.657	0.341	41.1
JL-6025H24-HH	ROO/FOO	24	18to26.5	0.12	2.88						
JL-6025H48-HH	ROO/FOO	48	36to54	0.07	3.36						
JL-6025H12-VH	ROO/FOO	12	6.0to13.5	0.32	3.84	5500	0.738	26.068	10.336	0.407	43.5
JL-6025H24-VH	ROO/FOO	24	18to26.5	0.13	3.12						
JL-6025H48-VH	ROO/FOO	48	36to54	0.09	4.32						
JL-6025H12-EH	ROO/FOO	12	6.0to13.5	0.42	5.04	6000	0.792	27.985	11.792	0.464	46.2
JL-6025H12-EH	ROO/FOO	24	18to26.5	0.18	4.32						
JL-6025H48-EH	ROO/FOO	48	36to54	0.1	4.8						