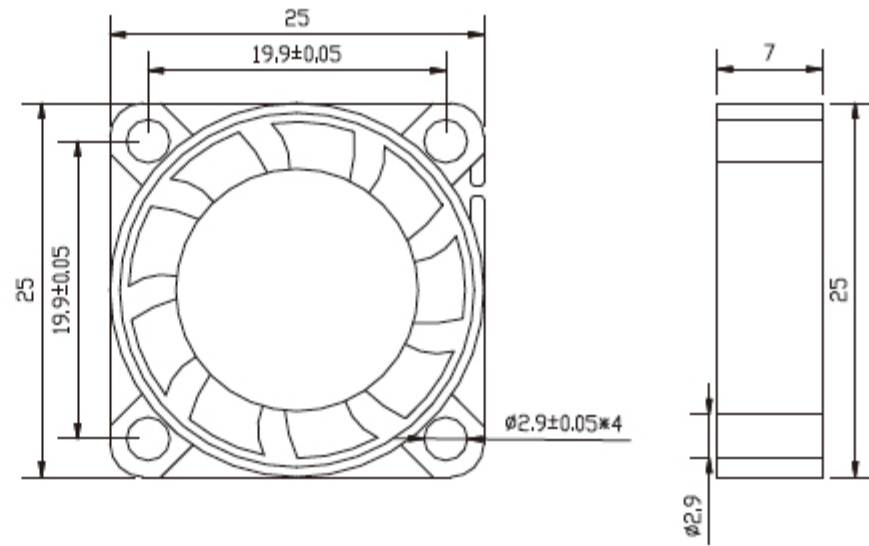


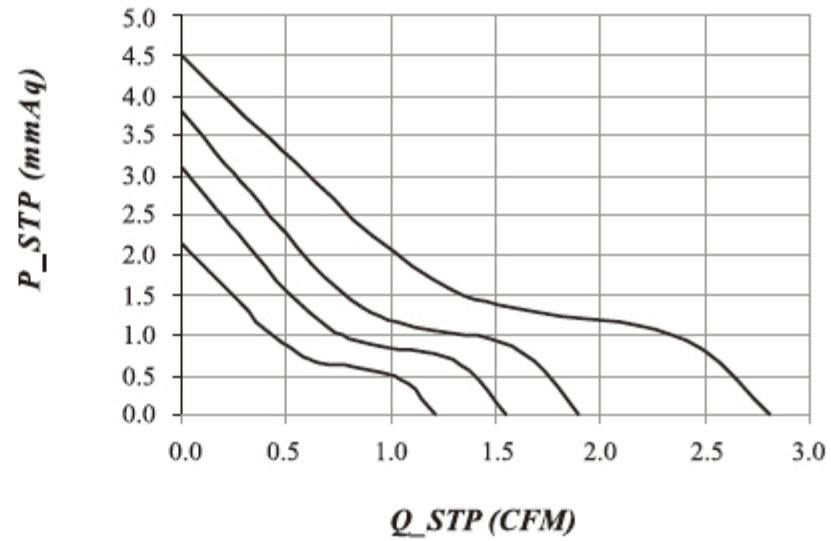
25*25*07MM SERIES

DIMENSIONS DRAWING



Bearing Type
Ball Bearings
Material
Impeller & Frame: plastic(UL94V-0)
Red Wire Positive(+)
Black Wire Negative(-)
Weight: 5.0g

P & Q CURVE (AT RATED VOLTAGE)



| MODEL | | Rated Voltage | Operating Voltage Range | Rated Current | Rated Input power | Speed | Maximum Air Flow | | Maximum Air Pressure | | noise |
|---------------|----------|---------------|-------------------------|---------------|-------------------|--------|------------------|------|----------------------|-------|-------|
| PART NO. | FUNCTION | VDC | VDC | Amp | Watt | R.P.M. | m3/min | CFM | mmH2O | INH2O | dB-A |
| JL-2507L05 | ROO/FOO | 5 | 3.6to6.8 | 0.11 | 0.55 | 7000 | 0.035 | 1.22 | 2.16 | 0.085 | 19.6 |
| JL-2507L12 | ROO/FOO | 12 | 6.0to13.5 | 0.03 | 0.36 | | | | | | |
| JL-2507M05 | ROO/FOO | 5 | 3.6to6.8 | 0.17 | 0.85 | 10000 | 0.044 | 1.55 | 3.1 | 0.122 | 23.5 |
| JL-2507M12 | ROO/FOO | 12 | 6.0to13.5 | 0.06 | 0.72 | | | | | | |
| JL-2507H05 | ROO/FOO | 5 | 3.6to6.8 | 0.23 | 1.15 | 14000 | 0.054 | 1.9 | 3.8 | 0.15 | 26.4 |
| JL-2507H12 | ROO/FOO | 12 | 6.0to13.5 | 0.09 | 1.08 | | | | | | |
| JL-2507H05-HH | ROO/FOO | 5 | 3.6to6.8 | 0.3 | 1.5 | 17000 | 0.08 | 2.81 | 4.5 | 0.177 | 31.2 |
| JL-2507H12-HH | ROO/FOO | 12 | 6.0to13.5 | 0.1 | 1.2 | | | | | | |