

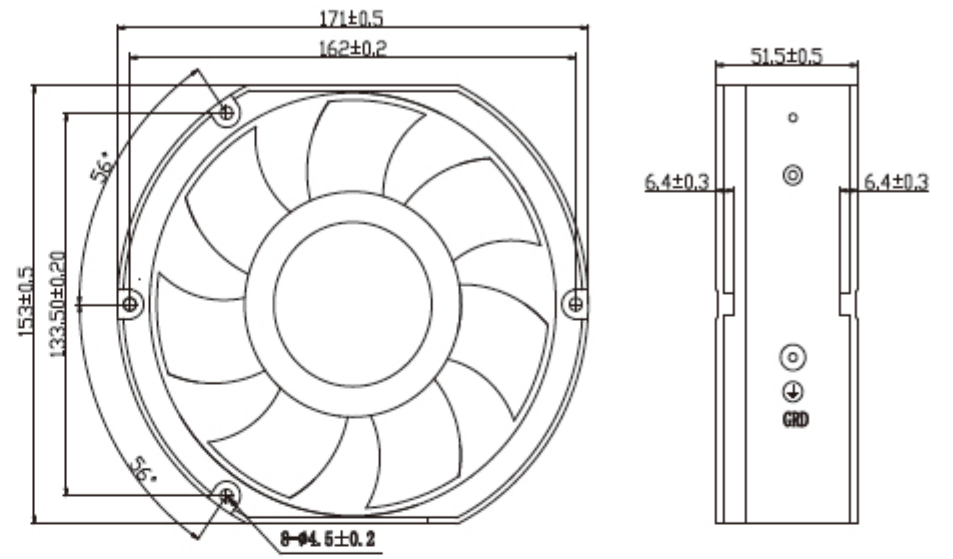


DC AXIAL FAN

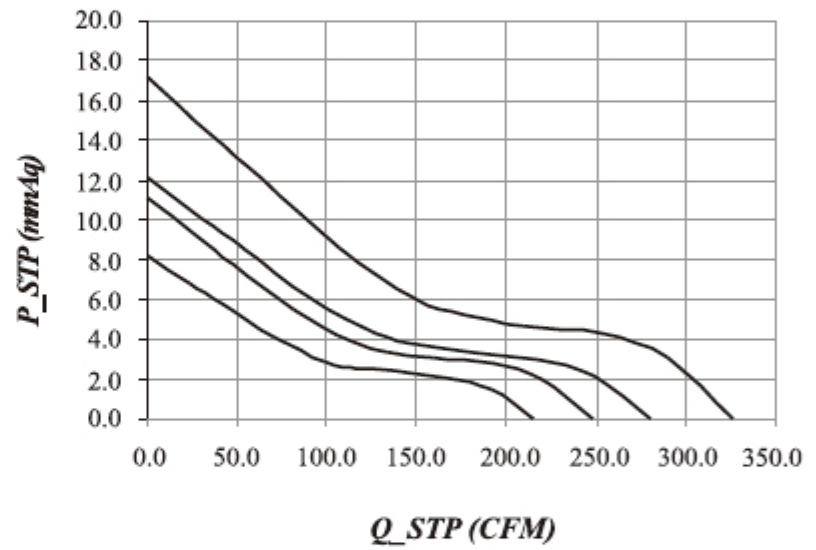
172*150*51MM 3 SERIES



DIMENSIONS DRAWING



P & Q CURVE (AT RATED VOLTAGE)



Bearing Type
Ball Bearings
Material
Impeller & Frame: plastic(UL94V-0)
Red Wire Positive(+)
Black Wire Negative(-)
Weight: 665g

MODEL		Rated Voltage	Operating Voltage Range	Rated Current	Rated Input power	Speed	Maximum Air Flow		Maximum Air Pressure		noise
PART NO.	FUNCTION	VDC	VDC	Amp	Watt	R.P.M.	m3/min	CFM	mmH ₂ O	INH ₂ O	dB-A
JL-17251L12	ROO/FOO	12	6.0to13.5	1	12	2300	6.11	215.5	8.26	0.32	51.3
JL-17251L24	ROO/FOO	24	18to26.5	0.34	8.16						
JL-17251L48	ROO/FOO	48	36to54	0.16	7.68						
JL-17251M12	ROO/FOO	12	6.0to13.5	1.8	21.6	2600	7.03	248.4	11.11	0.43	54.7
JL-17251M24	ROO/FOO	24	18to26.5	0.77	18.48						
JL-17251M48	ROO/FOO	48	36to54	0.41	19.68						
JL-17251H12	ROO/FOO	12	6.0to13.5	2.6	31.2	3000	7.92	280.1	12.14	0.47	59.5
JL-17251H24	ROO/FOO	24	18to26.5	1.3	31.2						
JL-17251H48	ROO/FOO	48	36to54	0.65	31.2						
JL-17251H24-HH	ROO/FOO	24	18to26.5	2	48	3500	7.45	326.2	17.15	0.79	63.2
JL-17251H48-HH	ROO/FOO	48	36to54	1.1	52.8						