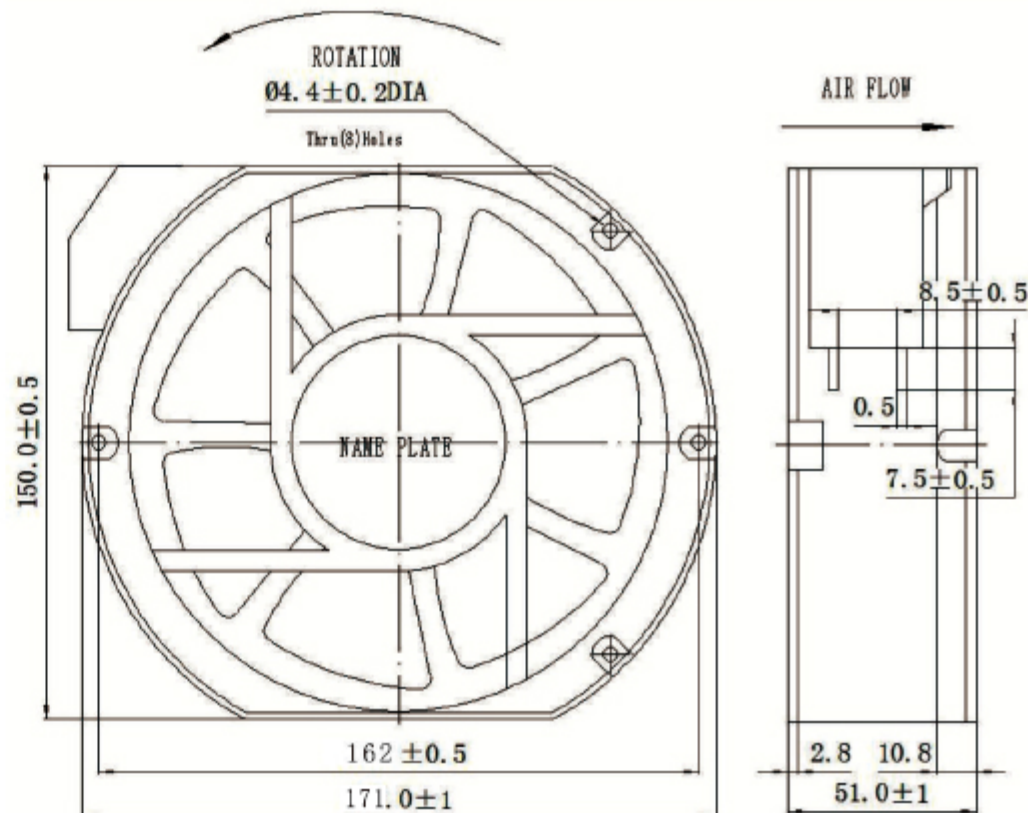




JIULONG MOTOR
AC/DC FANS COOLING FANS



UL
E248719



尺寸 Size: 172mmx150mmx51mm

风量 Airflow: 195-416m³/hr
115-245CFM

重量 Weight: 850g

噪音 Noise: 30-52dBA

风叶 Impeller Material: PBT Thermoplastic Black,UL94-VO

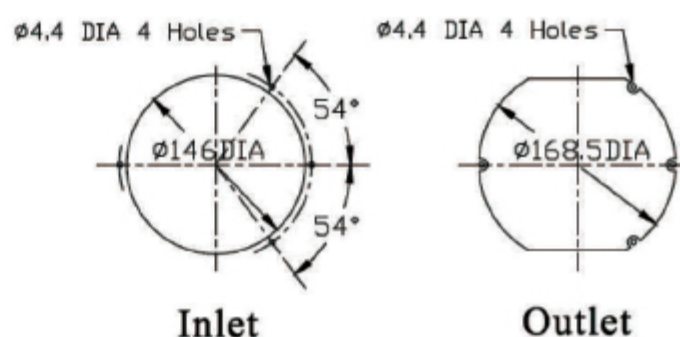
外框 Frame: Aluminum Alloy

端子 Terminals: 0.5mm

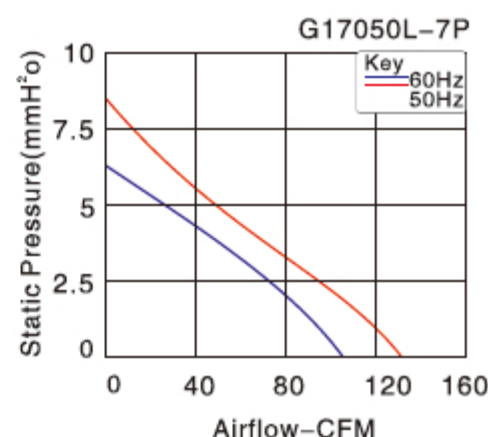
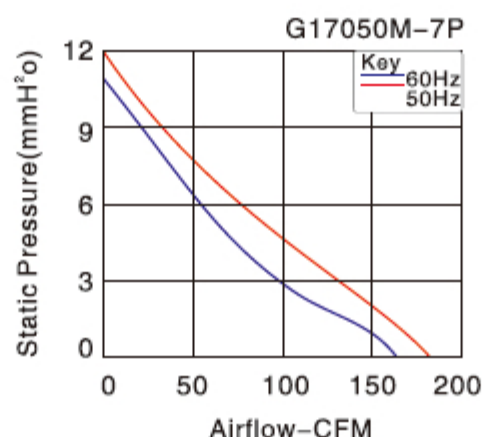
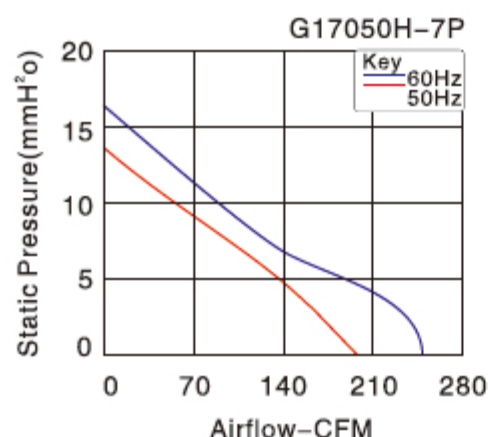
引线 Lead Wire: AWG#22 UL 1569(Optional)

马达 Motor: Shaded Pole Induction Motor

温度范围 Operating Temperature: -10°C~+65°C



Model (型号)	Bearing System (轴承型式)	Voltage VAC (电压)	Freq. Hz (频率)	Current A (电流)	Power W (功率)	Speed RPM (转速)	Noise dBA (噪音)	Air Flow (风量)		Phase (相数)	Capacitor (电容)
								M3/hr	CFM		
G17050HA ₂ S-7P	Sleeve	100/125	50/60	0.50/0.45	37/36	2600/3000	46/52	340/416	200/245	1	/
G17050HA ₂ S-7P		200/240	50/60	0.22/0.21	34/33	2600/3000	46/52	340/416	200/245	1	/
G17050HA ₂ S-7P		380/420	50	0.11	34	2600	46	340	200	1	/
G17050HA ₂ B-7P	Ball	100/125	50/60	0.50/0.45	37/36	2600/3000	46/52	340/416	200/245	1	/
G17050HA ₂ B-7P		200/240	50/60	0.22/0.21	34/33	2600/3000	46/52	340/416	200/245	1	/
G17050HA ₂ B-7P		380/420	50	0.11	34	2600	46	340	200	1	/
G17050MA ₂ S-7P	Sleeve	100/125	50/60	0.41/0.39	32/30	2400/2300	43/42	302/282	178/166	1	/
G17050MA ₂ S-7P		200/240	50/60	0.19/0.18	30/28	2400/2300	43/42	302/282	178/166	1	/
G17050MA ₂ S-7P		380/420	50	0.09	30	2400	43	302	178	1	/
G17050MA ₂ B-7P	Ball	100/125	50/60	0.41/0.39	32/30	2400/2300	43/42	302/282	178/166	1	/
G17050MA ₂ B-7P		200/240	50/60	0.19/0.18	30/28	2400/2300	43/42	302/282	178/166	1	/
G17050MA ₂ B-7P		380/420	50	0.09	30	2400	43	302	178	1	/
G17050LA ₂ S-7P	Sleeve	100/125	50/60	0.35/0.35	26/25	1900/1500	35/30	221/195	130/115	1	/
G17050LA ₂ S-7P		200/240	50/60	0.16/0.16	26/25	1900/1500	35/30	221/195	130/115	1	/
G17050LA ₂ S-7P		380/420	50	0.07	26	1900	35	221	130	1	/
G17050LA ₂ B-7P	Ball	100/125	50/60	0.35/0.35	26/25	1900/1500	35/30	221/195	130/115	1	/
G17050LA ₂ B-7P		200/240	50/60	0.16/0.16	26/25	1900/1500	35/30	221/195	130/115	1	/
G17050LA ₂ B-7P		380/420	50	0.07	26	1900	35	221	130	1	/



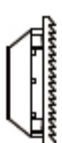
Fan Accessories



JL145D-FOR



JL400.300
JL904.200



JL162H(B)-Y



JL172H(B)



JL150H(B)-B



JL150-MF



JL9804.200
JL9805.200