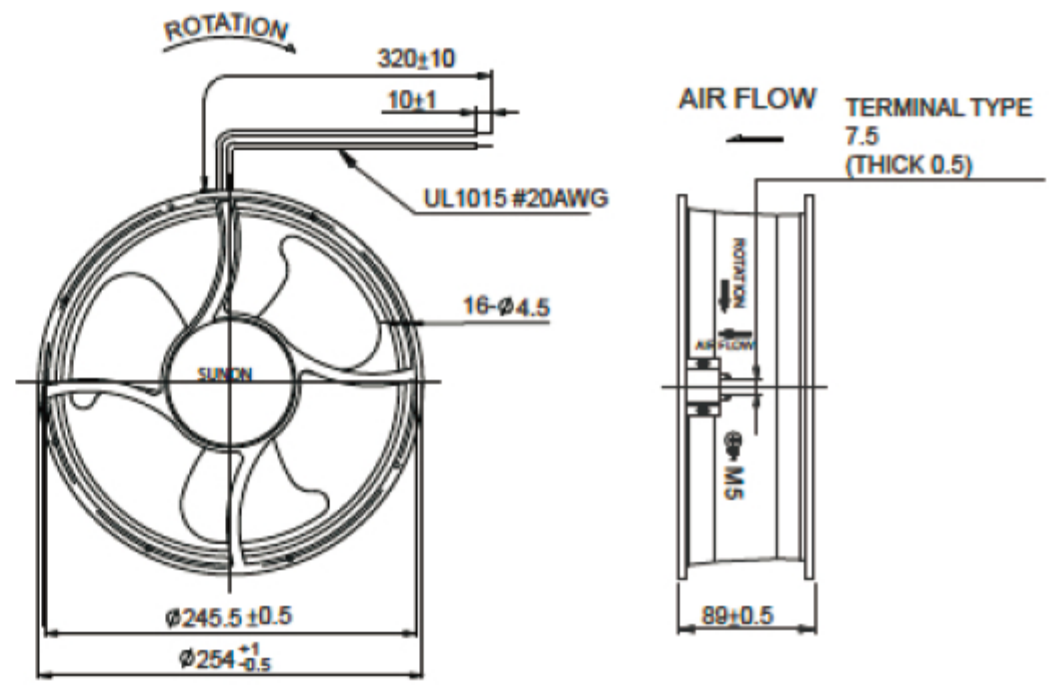




JIULONG MOTOR  
AC/DC FANS COOLING FANS



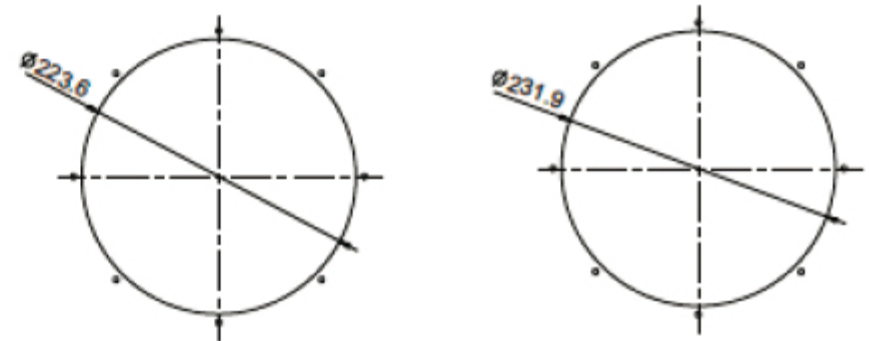
UL1015  
E248719



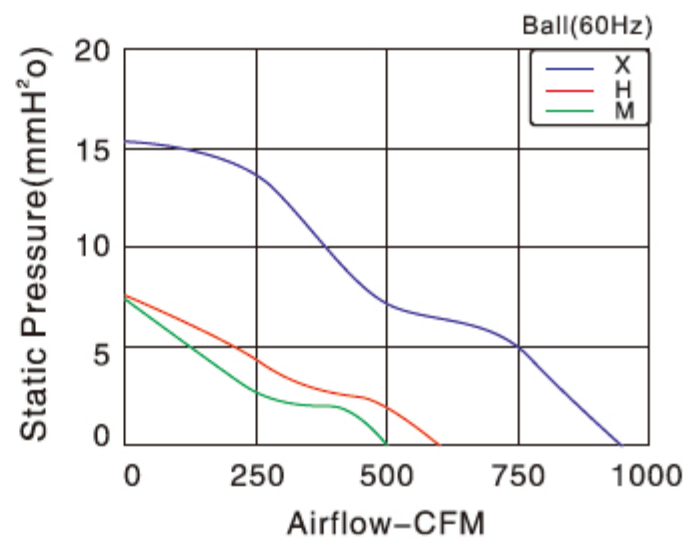
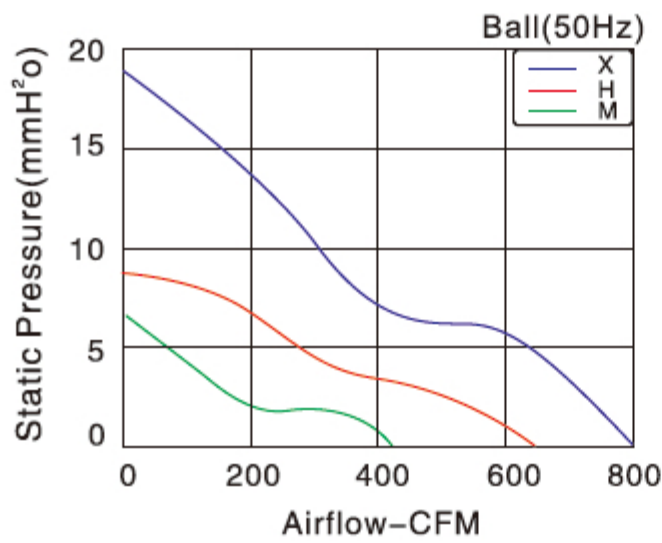
尺寸 Size:  $\phi 254\text{mm} \times 89\text{mm}$   
 风量 Airflow: 440-880m<sup>3</sup>/hr  
 重量 Weight: 2208g  
 噪音 Noise: 50-70dBA  
 风叶 Impeller Material: PBT Thermoplastic Black,UL94-V0  
 外框 Frame: Aluminum Alloy  
 端子 Terminals: 0.5mm  
 引线 Lead Wire: AWG#22 UL 1015(Optional)  
 马达 Motor: Capacitor-Run Induction Motor  
 温度范围 Operating Temperature: -10°C~+65°C

INLET

OUTLET



Model (型号)	Bearing System (轴承型式)	Voltage VAC (电压)	Freq. Hz (频率)	Current A (电流)	Power W (功率)	Speed RPM (转速)	Noise dBA (噪音)	Air Flow M <sup>3</sup> /hr (风量)	Temperature °C (温度)	Class (绝缘等级)	Capacitor (电容)
G2509HA <sub>1</sub> BL-C	Ball	100/125	50/60	0.7/0.85	95/100	2500/2850	68/70	810/880	10/65	B	8/250
G2509HA <sub>2</sub> BL-C		200/240	50/60	0.6/0.7	105/135	2500/2850	68/70	810/880	10/65	B	8/250
G2509MA <sub>1</sub> BL-C		100/125	50/60	0.6/0.65	75/85	2100/1900	62/60	665/600	10/65	B	8/250
G2509MA <sub>2</sub> BL-C		200/240	50/60	0.5/0.6	95/100	2100/1900	62/60	665/600	10/65	B	8/250
G2509LA <sub>1</sub> BL-C		100/125	50/60	0.4/0.6	50/65	1400/1600	50/52	440/515	10/65	B	8/250
G2509LA <sub>2</sub> BL-C		200/240	50/60	0.2/0.3	75/80	1400/1600	50/52	440/515	10/65	B	8/250



### Fan Accessories



JL254FOR



JL254H(B)



JL9806.200

