



DC 6015-02



SIZE :

60x60x15mm (2.36"x2.36"x0.59")

CONSTRUCTION :

Glass fiber reinforced plastic:
Impeller and housing PBT are UL 94V-0 rating

OPERATING TEMPERATURE :

Ball bearing - 30°C to +75°C
Sleeve bearing - 10°C to +70°C

INSULATION RESISTANCE :

10meg Ohm min. at 500 VDC
(between frame and terminal)

DIELECTRIC STRENGTH :

5mA max. at 500 VAC 60Hz one minute
(between frame and terminal)

FUNCTION :

frequency generator signal option

WEIGHT :

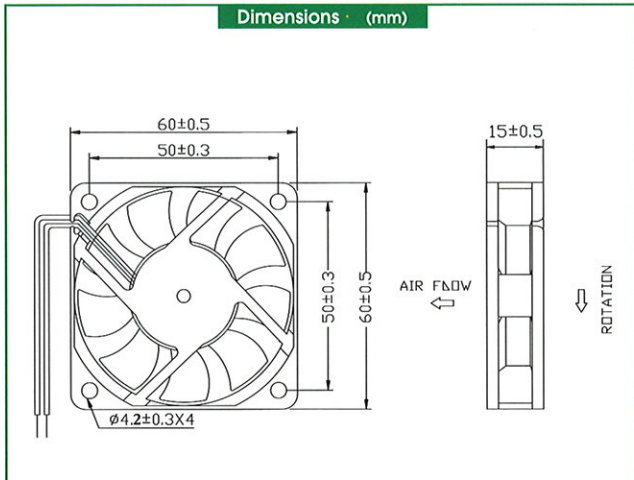
35 grams

Specifications are subject to change without notice

Specifications

MODEL NO.	BEARING	RATED VOLTAGE	OPERATING VOLTAGE RANGE	RATED CURRENT	RATED INPUT POWER	SPEED R.P.M.	MAX. AIR FLOW		MAX. AIR PRESSURE		NOISE dB-A
		VDC	V	A	W		m ³ /min	CFM	mmH ₂ O	IN H ₂ O	
BP601505M-02 SP601505M-02	Ball Sleeve	05	4.5 - 5.7	0.45	2.25	3800	0.6	20.5	3.3	0.13	30.3
BP601505H-02 SP601505H-02	Ball Sleeve	05	4.5 - 5.7	0.35	1.75	4500	0.68	24.0	4.5	0.18	25.0
BP601512M-02 SP601512M-02	Ball Sleeve	12	10.2-13.8	0.16	1.92	3800	0.6	20.5	3.3	0.13	30.3
BP601512H-02 SP601512H-02	Ball Sleeve	12	10.2-13.8	0.18	2.16	4500	0.68	24.0	4.5	0.18	34.5
BP601524M-02 SP601524M-02	Ball Sleeve	24	20.4-27.6	0.15	3.60	3800	0.6	20.5	3.3	0.13	30.3
BP601524H-02 SP601524H-02	Ball Sleeve	24	20.4-27.6	0.17	4.08	4500	0.68	24.0	4.5	0.18	34.5
BP601512HH-02 SP601512HH-02	Ball Sleeve	24	10.2-13.8	0.40	3.84	5000	0.7	24.8	5.2	0.20	37.7

Dimensions (mm)



Performance Curve

