

Dia.175x96.5mm/6.8x3.79inch

350CFM

Motorized Impeller, Backward curved blades



Model No	额定电压 VAC	电压范围 VAC	输入功率 Watt	额定电流 Amp	参考转速 RPM	最大风量 CFM	最大风压 m3/min	最大风压 Inch/H2O mm	噪音 db(A)	PQ Curves
SCE175HAN-11-1**	110	80~135	100	-	3500	350	9.9	1.8 45.72	72	-
SCE175HAN-22-1**	220	180~265	100	-	3500	350	9.9	1.8 45.72	72	-

- ** = "WB" for wire lead type Ball bearing, or "TB" for terminal type Ball bearing
- 信湾保留修改资料与改良电子&机械设计的权利, 无须告知. 资料公差 +/-10%

Motor

马达类别: AC-DC Energy Saving EC Motor

马达防护: Electronically protected

IP 防护: IP55, 56 optional request

Mechanical

外框: Aluminum die casting motor frame

叶轮: Plastic impeller

轴承: Maintenance-free two ball bearings

旋转方向: -

接头: Wire leads

重量: 1300g

Electrical

绝缘强度: 500VAC/min. Max. leakage 500mA

转速控制: Optional: PWM, S/C NTC thermister on request

讯号输出: Optional: R/D alarm output, tachometer output

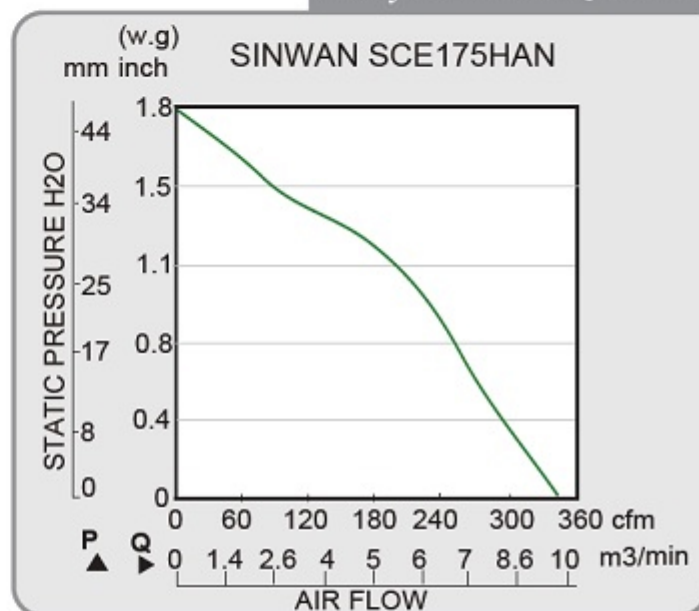
Environment

使用温度: -20~+65C(non-condensing)

保存温度: -40~+90C

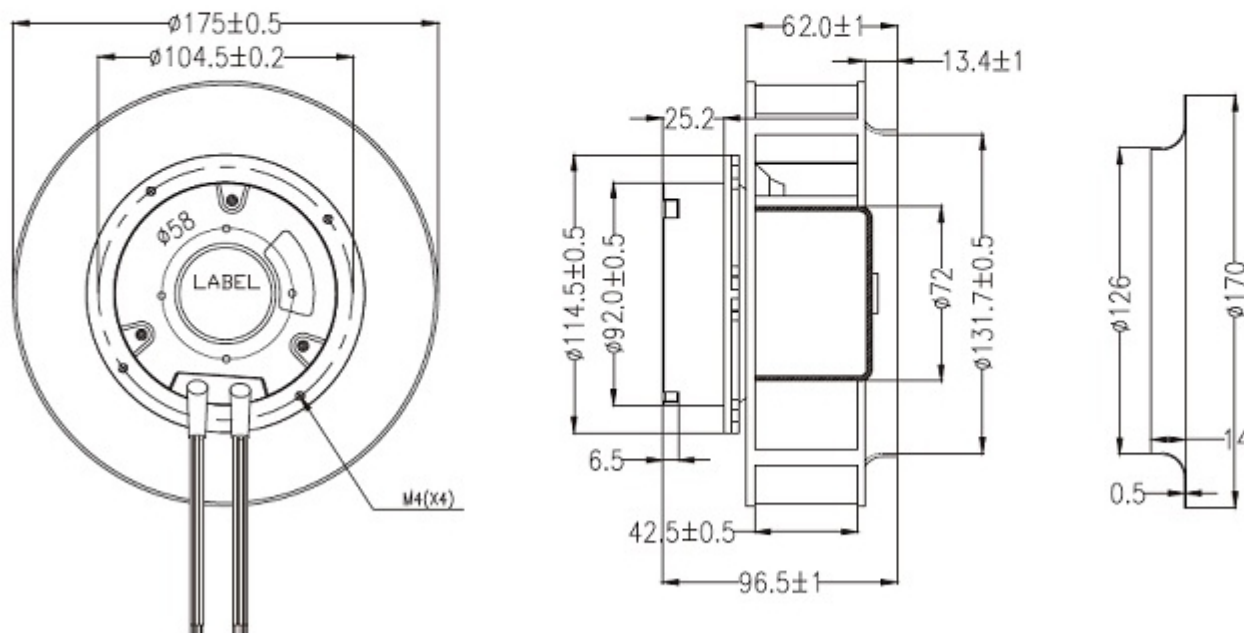
平均预期寿命: L10 formula 90K hours at 35C, 30K hours at 65C

Performance P-Q Curves



- Nomenclature
- R/D Alarm
- F/G Tach
- S/C Function
- PWM Function

Outline Dimensions



相关产品



Inlet nozzle/Duct ring
DR1719SN