



Impeller Dia.137xH.37mm 100CFM

Model No	额定电压 VDC	电压范围 VDC	输入功率 Watt	额定电流 Amp	参考转速 RPM	最大风量 CFM	最大风压 m3/min	最大风压 Inch/H2O mm	噪音 db(A)	PQ Curves
SDK908AN-12SH**	12	10~13.8	64.8	5.4	-	0	0	0	0	-
SDK908AN-12HH**	12	10~13.8	50.4	4.2	-	0	0	0	0	-
SDK908AN-12H**	12	10~13.8	23	1.9	-	0	0	0	0	-
SDK908AN-12M**	12	10~14	13.2	1.1	-	0	0	0	0	-
SDK908AN-12L**	12	10~14	5.5	0.45	-	0	0	0	0	-
SDK908AN-24SH**	24	14~27.6	63.6	2.65	-	0	0	0	0	-
SDK908AN-24HH**	24	14~27.6	50.4	2.1	-	0	0	0	0	-
SDK908AN-24H**	24	14~27.6	24	0.97	-	0	0	0	0	-
SDK908AN-24M**	24	14~27.6	13	0.52	-	0	0	0	0	-
SDK908AN-24L**	24	14~28	5	0.2	-	0	0	0	0	-
SDK908AN-48SH**	48	28~54	62.4	1.3	-	0	0	0	0	-
SDK908AN-48HH**	48	28~54	49.4	1.03	-	0	0	0	0	-
SDK908AN-48H**	48	28~54	23.5	0.48	-	0	0	0	0	-
SDK908AN-48M**	48	28~56	14.5	0.3	-	0	0	0	0	-
SDK908AN-48L**	48	30~60	5.8	0.12	-	0	0	0	0	-

- ** = "WB" for wire lead type Ball bearing, or "TB" for terminal type Ball bearing
- 信湾保留修改资料与改良电子&机械设计的权利，无须告知。资料公差 +/-10%

Motor
马达类别： Microprocessor brushless DC, auto cutoff/restart, locking & polarity protected

马达防护：

IP 防护： -

Mechanical

外框： Natural aluminum color sanded & milled cosmetics

叶轮： Glass fiber reinforced PBT thermoplastic, UL94V-0 impeller

轴承： Double sealed, permanently lubricated high precision ball bearings

旋转方向： CW seen on rotor

接头： Wire leads

重量： 950g (2.1 Lbs)

Electronical

绝缘强度： 500 VAC/sec. Max leakage 500 micro amp

转速控制：

讯号输出：

Environment

使用温度： Ambient non-condensing -20~+65C

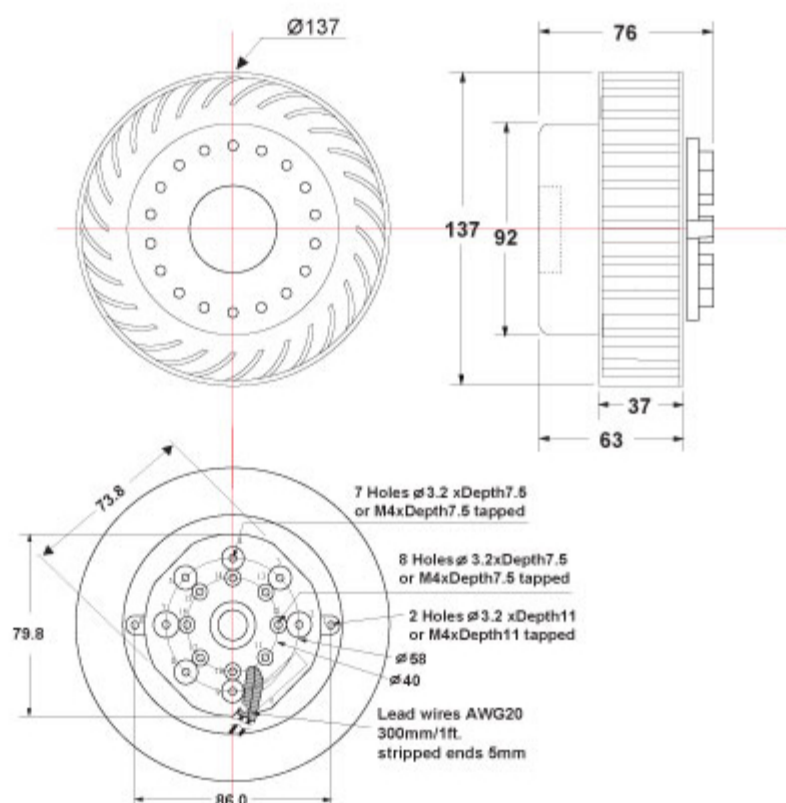
保存温度： -25C~+80C (at 65%RH)

平均预期寿命： Ball bearings 65,000 hours at 45C, 50,000 hours at 65C

▶ Performance P-Q Curves



▶ Outline Dimensions



相關產品