



172x150x55mm / 5x2.17inch

335~155 CFM

Metal Impeller DC Fan

Model No	额定电压 VDC	电压范围 VDC	输入功率 Watt	额定电流 Amp	参考转速 RPM	最大风量 CFM	最大风压 m3/min	最大风压 Inch/H2O mm	噪音 db(A)	PQ Curves
MD175EAP-12SH**7	12	8~14	64.8	5.4	4100	310	8.8	1.05 26.67	63	SH
MD175EAP-12HH**7	12	8~14	50.4	4.2	3900	295	8.4	0.97 24.64	59	HH
MD175EAP-12H**7	12	8~14	23	1.9	3700	275	7.8	0.93 23.62	55	H
MD175EAP-12M**7	12	9~14	13.2	1.1	2800	210	5.9	0.70 17.78	46	M
MD175EAP-12L**7	12	9~15	5.5	0.45	2000	155	4.4	0.49 12.45	37	L
MD175EAP-24SH**7	24	15~28	63.6	2.65	4400	335	9.5	1.15 29.21	65	SH
MD175EAP-24HH**7	24	15~28	50.4	2.1	4200	318	9	1.08 27.43	63	HH
MD175EAP-24H**7	24	15~28	24	0.97	3900	295	8.4	0.97 24.64	60	H
MD175EAP-24M**7	24	17~28	13	0.52	2800	210	5.9	0.70 17.78	46	M
MD175EAP-24L**7	24	17~28	5	0.20	2000	155	4.4	0.49 12.45	37	L
MD175EAP-48SH**7	48	22~53	62.4	1.3	4400	335	9.5	1.15 29.21	65	SH
MD175EAP-48HH**7	48	22~53	49.4	1.03	4200	318	9	1.08 27.43	63	HH
MD175EAP-48H**7	48	22~55	23.5	0.48	3900	295	8.4	0.93 23.62	60	H
MD175EAP-48M**7	48	24~58	14.5	0.30	2800	210	5.9	0.70 17.78	46	M
MD175EAP-48L**7	48	24~60	5.8	0.12	2000	155	4.4	0.49 12.45	37	L

- ** = "WB" for wire lead type Ball bearing, or "TB" for terminal type Ball bearing
- 信湾保留修改资料与改良电子&机械设计的权利, 无须告知. 资料公差 +/-10%

Motor

马达类别: Microprocessor brushless DC Motor, auto cutoff, auto restart
 马达防护: Electronically protected, polarity protected
 IP 防护: IP55,56 optional request

Mechanical

外框: Aluminum die cast, black color(AP)
 叶轮: 7 blades, all metal
 轴承: Two ball bearings
 旋转方向: CW seen on rotor
 接头: Wire lead or terminal flat pin connecting
 重量: 920 g (2.02 Lbs)

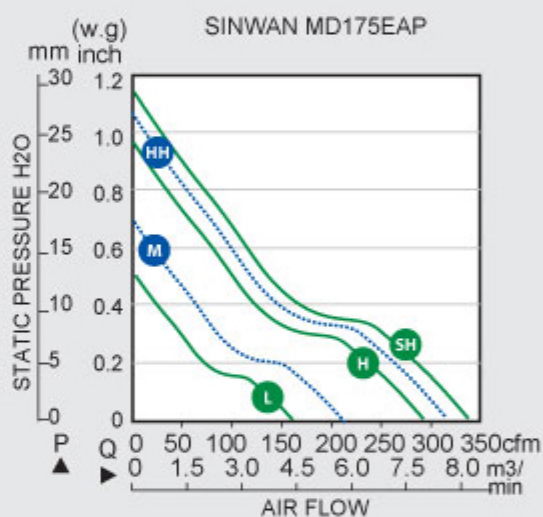
Electrical

绝缘强度: 500 VAC/min. Max leakage 500mA
 转速控制: Optional: PWM, S/C NTC thermister, S/V (0~10V) speed control on request
 讯号输出: Optional: R/D alarm output, tachometer output

Environment

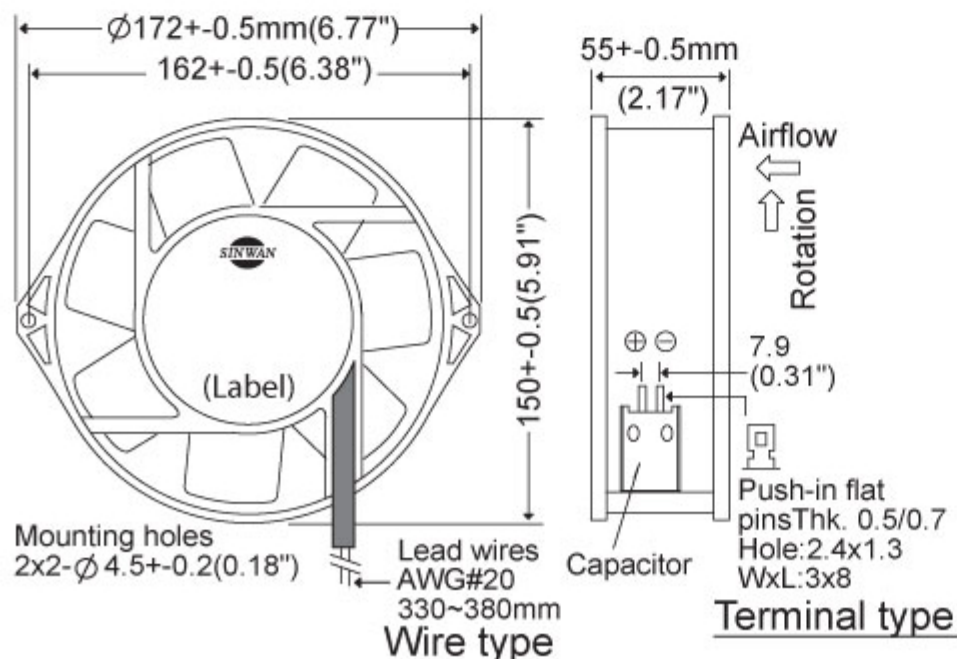
使用温度: -20C~+65C (non-condensing)
 保存温度: -40C~+80C (at 65%RH)
 平均预期寿命: L10 50K hours at 50C

Performance P-Q Curves



- Nomenclature
- R/D Alarm
- F/G Tach
- S/C Function
- PWM Function

Outline Dimensions



相關產品



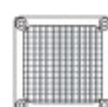
Metal Fan Guard
 G172-10H, G172-10HA



Plastic Fan Guard
 G172P



Plastic Fan Filter
 GRM172-30, GRM172-45



Metal Fan Screen
 MF172S-30N

