



.DC- SD280GAN



280x280x88.9mm / 11x3.5inch Sinwan DC Fan, 1180~780 CFM

Plastic Impeller

Model No	额定电压 VDC	电压范围 VDC	输入功率 Watt	额定电流 Amp	参考转速 RPM	最大风量 CFM	最大风压 m3/min	最大风压 Inch/H2O mm	噪音 db(A)	PQ Curves
SD280GAN-12M**7	12	9~13.5	90	7.5	2100	1011	28.6	0.63 16	55	M
SD280GAN-12L**7	12	9~13.5	50	4.2	1800	867	24.6	0.55 13.97	48	L
SD280GAN-24H**7	24	18~27.6	104.4	4.35	2450	1180	33.4	0.90 22.86	72	H
SD280GAN-24M**7	24	18~27.6	58.8	2.45	2200	1060	30	0.65 16.51	56	M
SD280GAN-24L**7	24	18~27.6	26.4	1.1	1800	867	24.6	0.55 13.97	48	L
SD280GAN-48H**7	48	24~55	105.6	2.2	2450	1180	33.4	0.9 22.86	72	H
SD280GAN-48M**7	48	24~55	57.6	1.2	2200	1060	30	0.65 16.51	56	M
SD280GAN-48L**7	48	24~55	26.4	0.55	1800	867	24.6	0.55 13.97	48	L

- ** = "WB" for wire lead type Ball bearing, or "TB" for terminal type Ball bearing
- 信湾保留修改资料与改良电子&机械设计的权利, 无须告知. 资料公差 +/-10%

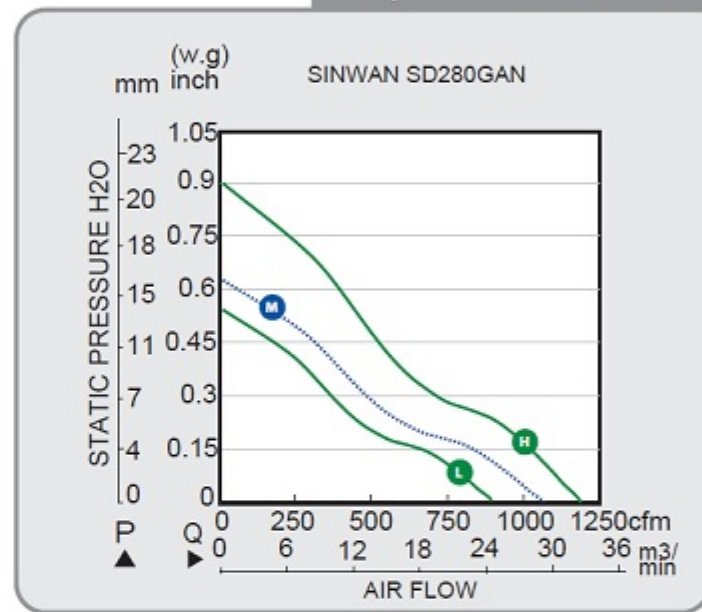
Motor
 马达类别: Microprocessor brushless DC Motor, auto cutoff, auto restart
 马达防护: Electronically protected, polarity protected
 IP 防护: IP55, 56 optional request

Mechanical
 外框: Aluminum die cast, natural color(AN) or black color(AP)
 叶轮: 7 blades, glass fiber reinforced plastic, rated UL94V-0
 轴承: Two ball bearings
 旋转方向: CCW seen on rotor
 接头: Wire lead or terminal flat pin connecting
 重量: 2,800g (6.2 Lbs)

Electronical
 绝缘强度: 500 VAC/min. Max leakage 500mA
 转速控制: Optional:PWM, S/C NTC thermister on request
 讯号输出: Optional:R/D alarm output, tachometer output

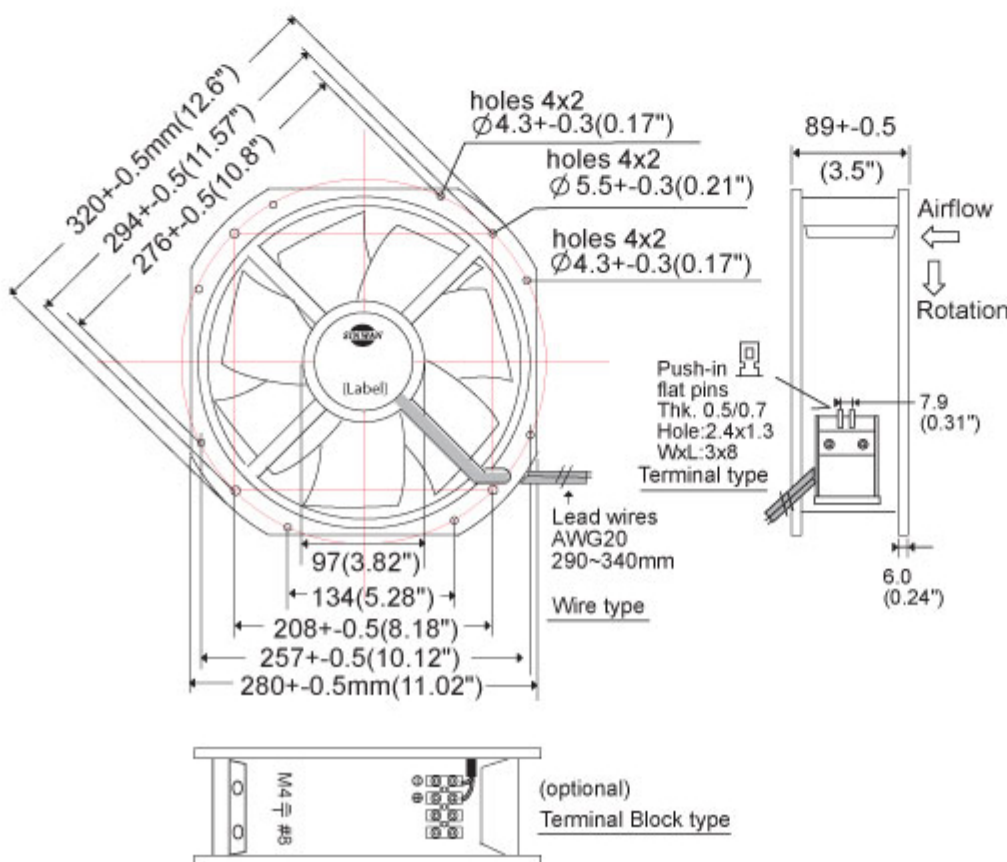
Environment
 使用温度: Ambient non-condensing -15~+65C
 保存温度: -25C~+80C (at 65%RH)
 平均预期寿命: L10 85K hours at 35C, 40K hours at 60C

Performance P-Q Curves



- Nomenclature
- R/D Alarm
- F/G Tach
- S/C Function
- PWM Function

Outline Dimensions



相關產品

