



.DC- SD254GAN

SINWAN

Dia.254x88.9mm / 10x3.5inch Sinwan DC Fan, 1050~700 CFM

Plastic Impeller

Model No	额定电压 VDC	电压范围 VDC	输入功率 Watt	额定电流 Amp	参考转速 RPM	最大风量 CFM	最大风压 m3/min	最大风压 Inch/H2O mm	噪音 db(A)	PQ Curves
SD254GAN-12H**7	12	10~13.2	130	10.8	2600	910	25.8	1.1 27.94	68	H
SD254GAN-12M**7	12	10~13.8	93	7.8	2400	830	23.5	0.98 24.89	63	M
SD254GAN-12L**7	12	10~13.8	72	6	1900	690	19.5	0.73 18.54	56	L
SD254GAN-24H**7	24	18~26	125	5.2	3000	1050	29.7	1.2 30.48	72	H
SD254GAN-24M**7	24	18~26.4	93	3.9	2500	900	25.5	1.1 27.94	65	M
SD254GAN-24L**7	24	18~27.6	72	3	2000	700	19.8	0.83 21.08	58	L
SD254GAN-48H**7	48	24~53	125	2.6	3000	1050	29.7	1.2 30.48	72	H
SD254GAN-48M**7	48	24~53	93	1.9	2500	900	25.5	1.1 27.94	65	M
SD254GAN-48L**7	48	24~53	72	1.5	2000	700	19.8	0.83 21.08	58	L

- ** = "WB" for wire lead type Ball bearing, or "TB" for terminal type Ball bearing
- 信湾保留修改资料与改良电子&机械设计的权利, 无须告知。资料公差 +-10%

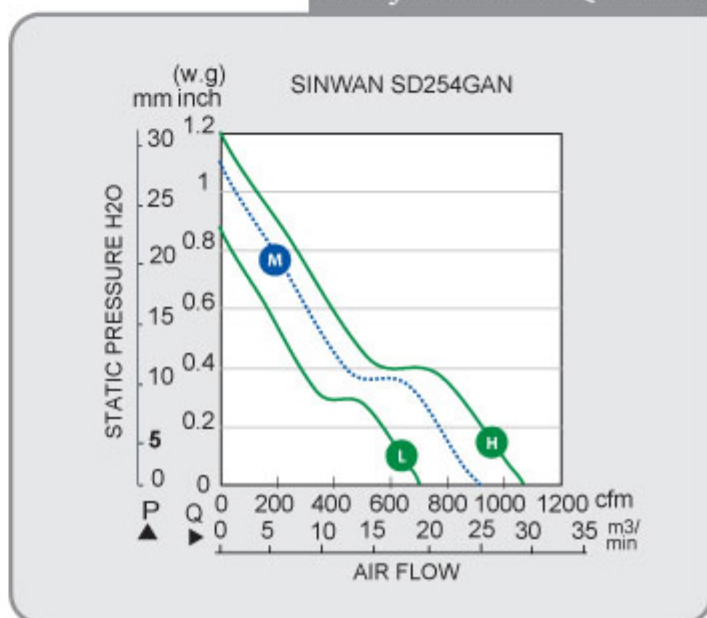
Motor
 马达类别: Microprocessor brushless DC Motor, auto cutoff, auto restart
 马达防护: Electronically protected, polarity protected
 IP 防护: IP55,56 optional request

Mechanical
 外框: Aluminum die cast, natural color(AN) or black color(AP)
 叶轮: 7 blades, glass fiber reinforced plastic, rated UL94V-0
 轴承: Two ball bearings
 旋转方向: CCW seen on rotor
 接头: Wire lead or terminal flat pin connecting
 重量: 2,200g (4.85 Lbs)

Electronical
 绝缘强度: 500 VAC/min. Max leakage 500mA
 转速控制: Optional: PWM, S/C NTC thermister
 讯号输出: Optional: R/D alarm output, tachometer output

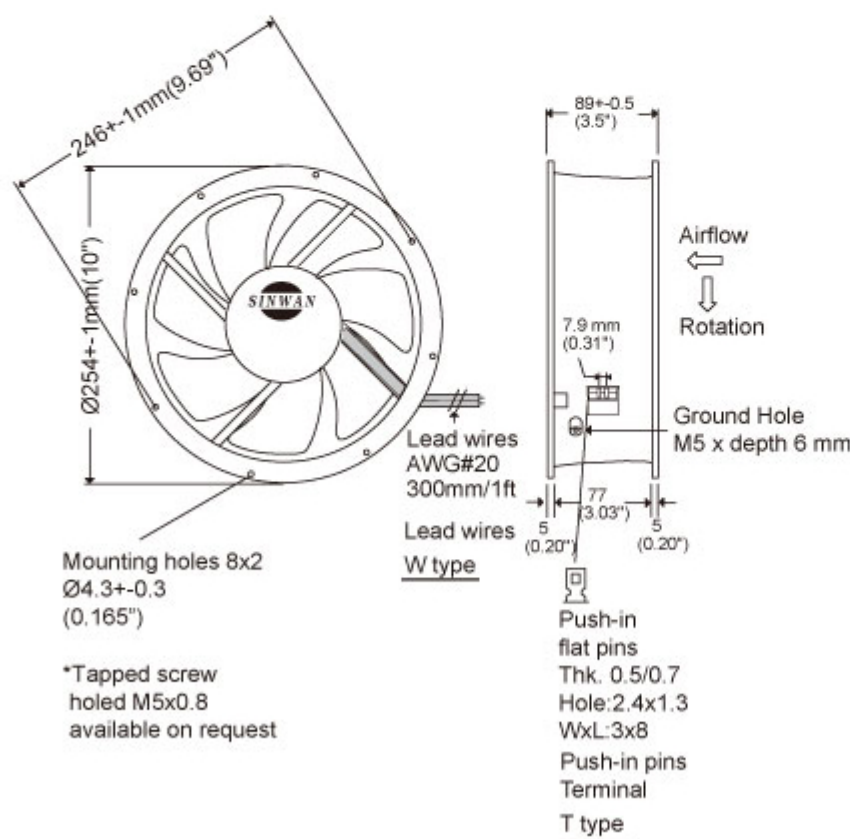
Environment
 使用温度: Ambient non-condensing -15~+65C
 保存温度: -25C~+80C (at 65%RH)
 平均预期寿命: L10 85K hours at 35C, 40K hours at 60C

Performance P-Q Curves



- Nomenclature
- R/D Alarm
- FIG Tach
- S/C Function
- PWM Function

Outline Dimensions



*Tapped screw holed M5x0.8 available on request

相关产品



RoHS Pending