



·DC· SD200RAP



Dia.200x70mm / 7.9x2.8inch Sinwan DC Fan, 505~280 CFM

Plastic Impeller

Model No	额定电压 VDC	电压范围 VDC	输入功率 Watt	额定电流 Amp	参考转速 RPM	最大风量 CFM	最大风压 m3/min	最大风压 Inch/H2O mm	噪音 db(A)	PQ Curves
SD200RAP-12SH**	12	9~13.6	64.8	5.4	3050	495	14	1.26 32	65	SH
SD200RAP-12HH**	12	9~13.6	50.4	4.2	2900	455	12.9	1.25 31.75	60	HH
SD200RAP-12H**	12	9~13.6	23 (~45.6)	1.9 (~3.8)	2600	425	12	1.15 29.21	57	H
SD200RAP-12M**	12	9~13.6	13.2	1.1	2400	380	10.8	1.05 26.67	53	M
SD200RAP-12L**	12	9~14	5.5	0.45	1800	280	7.9	0.7 17.78	39	L
SD200RAP-24SH**	24	16~27.6	63.6	2.65	3300	505	14.3	1.3 33.02	69	SH
SD200RAP-24HH**	24	16~27.6	50.4 (~69.6)	2.1 (~2.9)	3200	470	13.3	1.27 32.26	63	HH
SD200RAP-24H**	24	16~27.6	24	0.97	3000	460	13	1.26 32	58	H
SD200RAP-24M**	24	16~27.6	13	0.52	2500	400	11.3	1.1 27.94	53	M
SD200RAP-24L**	24	16~28	5 (~16.8)	0.2 (~0.7)	1800	280	7.9	0.7 17.78	39	L
SD200RAP-48SH**	48	30~53	62.4	1.3	3300	505	14.3	1.3 33.02	69	SH
SD200RAP-48HH**	48	30~53	49.4	1.03	3200	470	13.3	1.27 32.26	63	HH
SD200RAP-48H**	48	30~56	23.5	0.48	3000	460	13	1.26 32	58	H
SD200RAP-48M**	48	30~56	14.5	0.30	2500	400	11.3	1.1 27.94	53	M
SD200RAP-48L**	48	32~63	5.8 (~14.4)	0.12 (~0.35)	1800	280	7.9	0.7 17.78	39	L

- ** = "WB" for wire lead type Ball bearing, or "TB" for terminal type Ball bearing
- 信湾保留修改资料与改良电子&机械设计的权利, 无须告知. 资料公差 +/-10%

Motor

马达类别: Microprocessor brushless DC Motor, auto cutoff, auto restart
 马达防护: Electronically protected, polarity protected
 IP 防护: IP55,56 optional request

Mechanical

外框: Aluminum die cast, black color
 叶轮: 5 blades, glass fiber reinforced plastic, rated UL94V-0
 轴承: Two ball bearings
 旋转方向: CCW seen on rotor
 接头: Wire lead or terminal flat pin connecting
 重量: 1,800 g (3.97 Lbs)

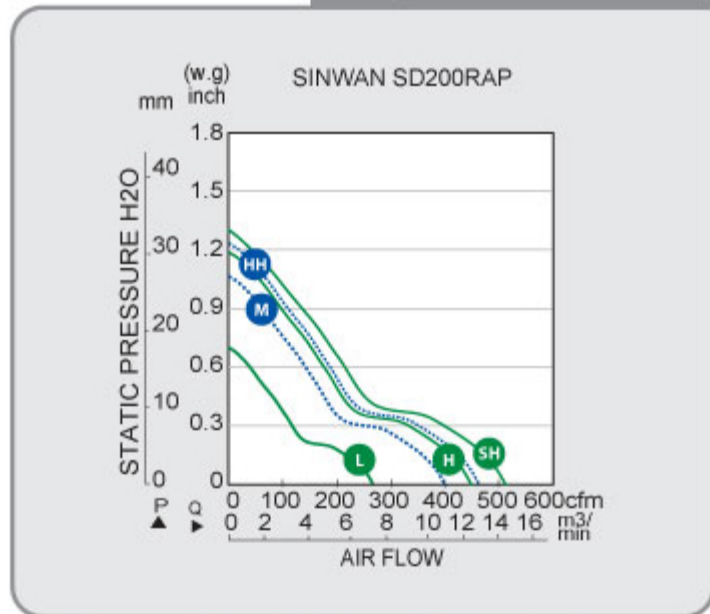
Electrical

绝缘强度: 500 VAC/min. Max leakage 500mA
 转速控制: Optional:PWM, S/C NTC thermister on request
 讯号输出: Optional:R/D alarm output, tachometer output

Environment

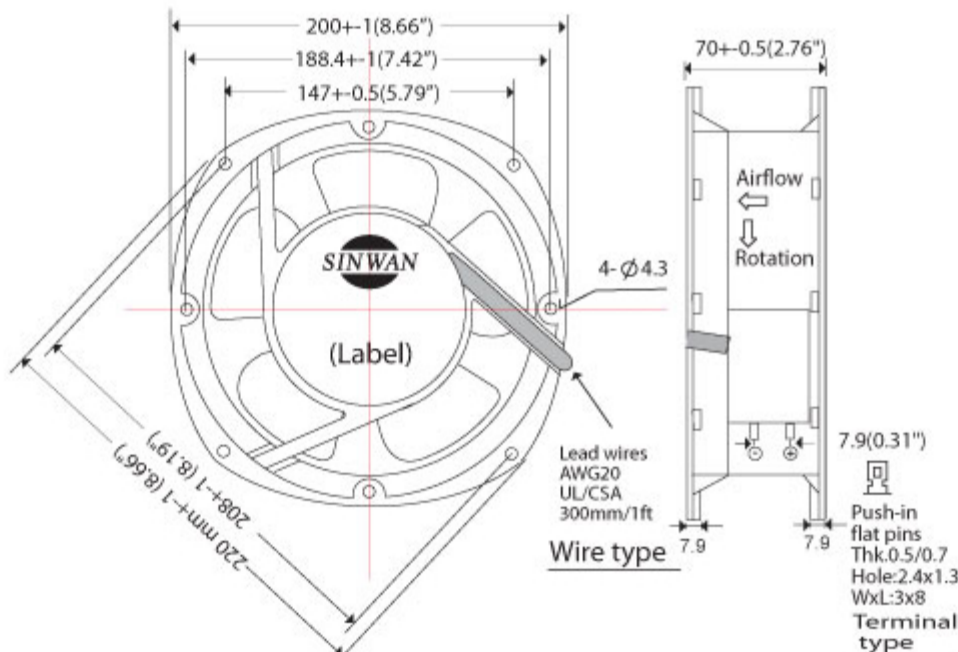
使用温度: Ambient non-condensing -15~+65C
 保存温度: -25C~+80C (at 65%RH)
 平均预期寿命: L10 90K hours at 35C, 40K hours at 60C

Performance P-Q Curves



- Nomenclature
- R/D Alarm
- F/G Tach
- S/C Function
- PWM Function

Outline Dimensions



相关产品

