



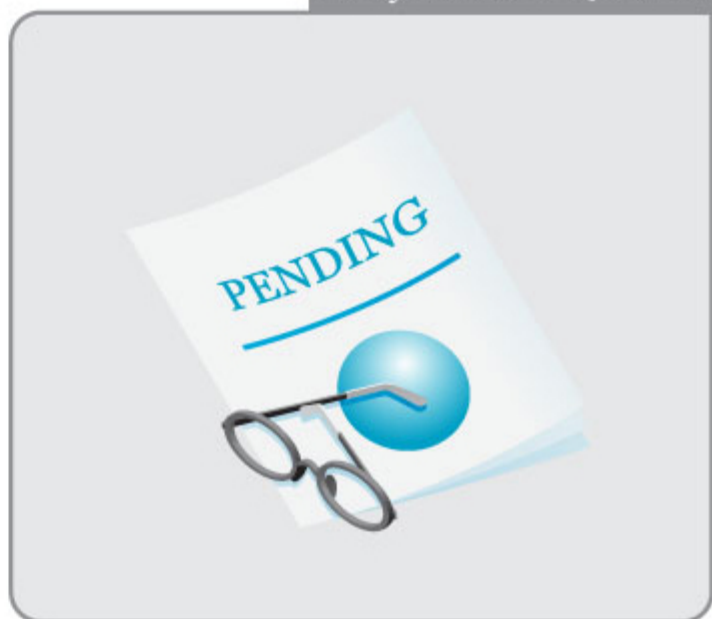
# Φ50xL.290x360x70mm 107~60cfm, DC Crossflow fan

	额定电压	电压范围	输入功率	额定电流	参考转速	最大风量		最大风压		噪音	PQ Curves
Model No	VDC	VDC	Watt	Amp	RPM	CFM	m3/min	Inch/H2O	mm	db(A)	
MCD529SP-12H** (****#)	12	12~13.8	10.6	0.88	2100	105	3	0.14	3.56	44	
MCD529SP-12M** (****#)	12	12~13.8	6	0.5	1400	86	2.4	0.11	2.79	35	
MCD529SP-12L** (****#)	12	12~13.8	4.8	0.4	1000	60	1.7	0.05	1.27	26	
MCD529SP-24H** (****#)	24	15~26	11.7	0.49	2200	107	3	0.14	3.56	45	
MCD529SP-24M** (****#)	24	15~26	5.5	0.23	1400	86	2.4	0.11	2.79	35	
MCD529SP-24L** (****#)	24	15~26	4.8	0.2	1000	60	1.7	0.05	1.27	26	
MCD529SP-48H** (****#)	48	28~55	10.6	0.22	2200	107	3	0.14	3.56	45	
MCD529SP-48M** (****#)	48	28~55	5.5	0.10	1400	86	2.4	0.11	2.79	35	
MCD529SP-48L** (****#)	48	28~55	4.6	0.08	1000	60	1.7	0.05	1.27	26	

- \*\* = "WB" for wire lead type Ball bearing, or "TB" for terminal block type Ball bearing
  - (\*\*\*\*#) = (RENON),(LESGN),(RESG F/G), ....
  - 1st\* = R, L, C - Motor position
  - 2nd\* = E, V, Q, H - Air outlet direction
  - 3rd\* = S, N - Shield Guard for motor
  - 4th\* = G, O - Grill Guard for Impeller
  - # = R/D, F/G, S/C, P/W, S/V, N - Motor Function, N = none, normal motor
- Please click Nomenclature to have full & clear model No.
- 信湾保留修改资料与改良电子&机械设计的权利，无须告知。资料公差 +/-10%

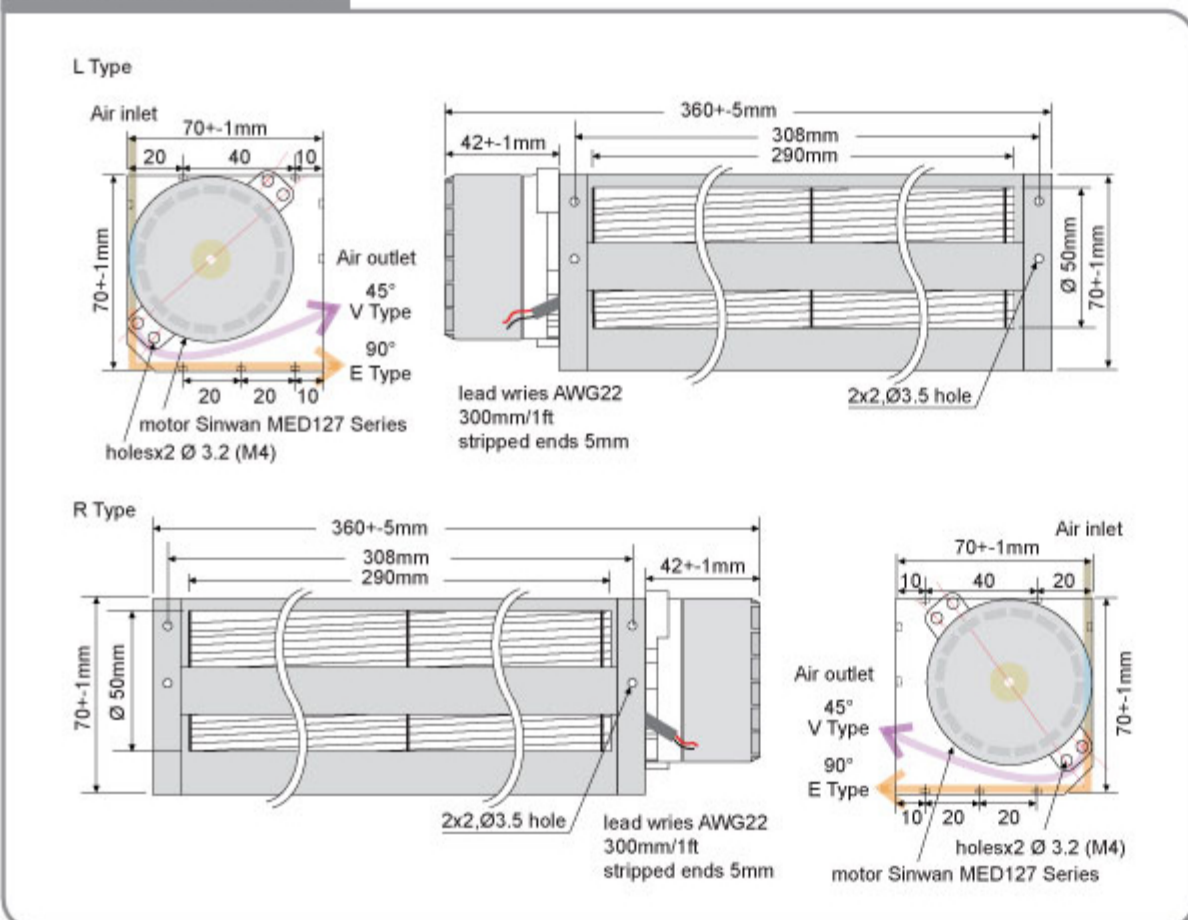
Motor	
马达类别：	Sinwan Brushless DC Motor MED127AN
马达防护：	Electronically protected, polarity & locked rotor protection
IP 防护：	IP ratings on request
Mechanical	
外框：	Steel plate housing and frame black coating
叶轮：	Aluminum alloy fan blades with natural treatment cosmetics
轴承：	3 high precision permanently lubricated ball bearings
旋转方向：	Motor at right side (R type), left (L type) for choice, viewed from air outlet
接头：	Wire leads, or terminal block connecting for choice
重量：	680g (1.5Lbs)
Electronical	
绝缘强度：	Over 1 min. 500vac,max. leakage 500 micro Amp
转速控制：	S/C-NTC thermal controlled, PWM-0~100% speed control for choice
讯号输出：	Tacho F/G, motor cutoff alarm R/D
Environment	
使用温度：	Acceptable -20°C~+65°C
保存温度：	-30°C~+85°C (65%RH)
平均预期寿命：	40K hours at 45°C, 20K hours at 65°C

▶ Performance P-Q Curves



- Nomenclature
- R/D Alarm
- F/G Tach
- S/C Function

▶ Outline Dimensions



相關產品



Motor  
Sinwan Motor MED127AN

