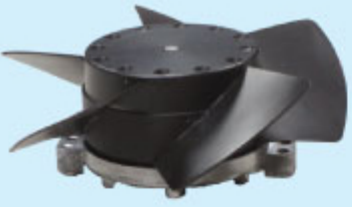


Dia.113x35mm / 4.5inch 105~60 CFM

Metal Impeller



Model No	额定电压 VAC	电压范围 VAC	频率 Hz	输入功率 Watt	参考转速 RPM	最大风量 CFM	最大风压 Inch/H2O	最大风压 mm	噪音 db(A)	PQ
MK109AN11-1**(100)	100	100~120	50/60	21/20	2750/3100	93/105	2.6/3	0.25/0.22	6.35/5.59	45
MK109AN11-1**	115	100~120	50/60	21/20	2750/3100	93/105	2.6/3	0.25/0.22	6.35/5.59	45
MK109AN11-2**	115	100~120	50/60	14/13	2400/2500	82/85	2.3/2.4	0.17/0.12	4.32/3.05	37
MK109AN11-3**	115	100~120	50/60	12/9	1700/1800	58/60	1.6/1.7	0.11/0.09	2.79/2.29	27
MK109AN11-1/2	115	100~120	50/60	21/20	2600/3100	90/105	2.5/3	0.24/0.22	6.1/5.59	45
dual speed				14/13	2300/2200	78/76	2.2/2.2	0.16/0.11	4.06/2.79	36
MK109AN11-1/2/3	115	100~120	50/60	21/20	2600/3100	90/105	2.5/3	0.25/0.22	6.35/5.59	45
triple speed				14/13	2400/2500	82/85	2.3/2.4	0.17/0.12	4.32/3.05	37
				12/9	2200/2100	75/72	2.1/2	0.15/0.10	3.81/2.54	33
MK109AN22-1**(200)	200	200~240	50/60	21/20	2750/3100	93/105	2.6/3	0.25/0.22	6.35/5.59	45
MK109AN22-1**	230	200~240	50/60	21/20	2750/3100	93/105	2.6/3	0.25/0.22	6.35/5.59	45
MK109AN22-2**	230	200~240	50/60	14/13	2400/2500	82/85	2.3/2.4	0.17/0.12	4.32/3.05	37
MK109AN22-3**	230	200~240	50/60	12/9	1700/1800	58/60	1.6/1.7	0.11/0.09	2.79/2.29	27
MK109AN22-1**(240)	240	200~240	50/60	21/20	2750/3100	93/105	2.6/3	0.25/0.22	6.35/5.59	45
MK109AN22-1/2	115	100~120	50/60	21/20	2600/3100	90/105	2.5/3	0.24/0.22	6.1/5.59	45
dual speed				14/13	2300/2200	78/76	2.2/2.2	0.16/0.11	4.06/2.79	36
MK109AN11-1/2/3	230	200~240	50/60	21/20	2600/3100	90/105	2.5/3	0.25/0.22	6.35/5.59	45
triple speed				14/13	2400/2500	82/85	2.3/2.4	0.17/0.12	4.32/3.05	37
				12/9	2200/2100	75/72	2.1/2	0.15/0.10	3.81/2.54	33
MK109AN11/22-1**	115	100~120	50/60	21/20	2750/3100	93/105	2.6/3	0.25/0.22	6.35/5.59	45
dual voltage	230	200~240								
MK109AN2-1**	12	12~14	50/60	21/20	2750/3100	93/105	2.6/3	0.25/0.22	6.35/5.59	45
MK109AN4-1**	24	24~28	50/60	21/20	2750/3100	93/105	2.6/3	0.25/0.22	6.35/5.59	45
MK109AN6-1**	28	28~34	50/60	21/20	2750/3100	93/105	2.6/3	0.25/0.22	6.35/5.59	45
MK109AN8-1**	48	48~58	50/60	21/20	2750/3100	93/105	2.6/3	0.25/0.22	6.35/5.59	45
MK109AN38-1	380	380~420	50/60	21/20	2750/3100	93/105	2.6/3	0.25/0.22	6.35/5.59	45
MK109AN44-1**	440	440~480	50/60	21/20	2750/3100	93/105	2.6/3	0.25/0.22	6.35/5.59	45

- The stated airflow, air pressure, noise levels are measured with housing orifice dia.: impeller $\Phi +1\sim 1.5$ mm, at distance: approx. height of impeller + motor frame. The optimal operating data can only be depended on the installation conditions.
- ** = "WB" for wire lead type Ball bearing, or "TB" for terminal type Ball bearing
- 100, 200, 240V 或特殊电压 12, 24, 28, 38, 42, 48, 380, 440, 480V... 50/60Hz, 任何电压都可订做。
- 双速 高/中 1速/2速, 中/低 2速/3速 可依需求制造。
- 信湾保留修改资料与改良电子&机械设计的权利, 无须告知。资料公差 $\pm 10\%$

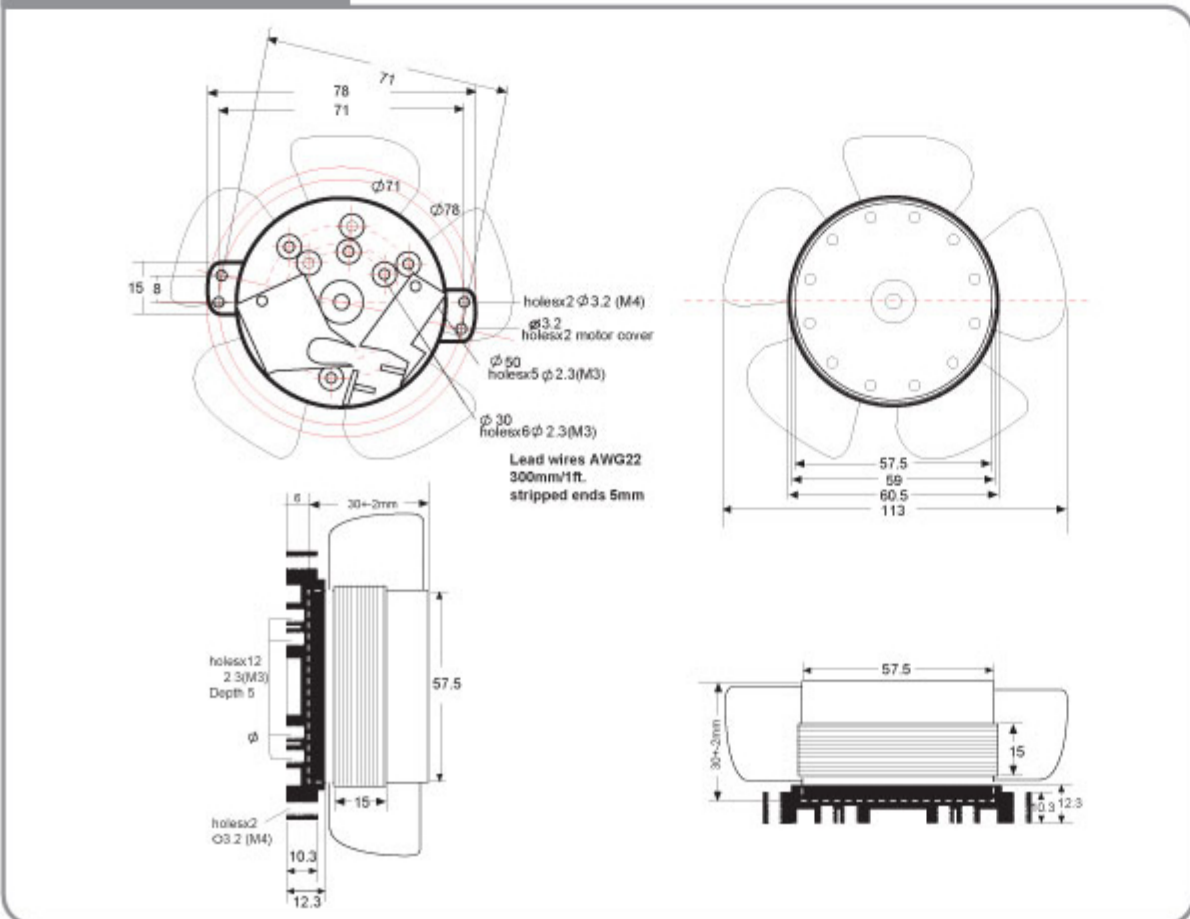
Motor	
马达类别:	Shaded pole induction, 1-phase
马达防护:	Impedance protected
IP 防护:	IP55
Mechanical	
外框:	Aluminum die cast, natural color treatment Optional: Black cosmetics
叶轮:	Steel metal fan blades integrantly spot welded into rotor for high efficiency
轴承:	Two high precision permanently lubricated ball bearings
旋转方向:	CCW seen on rotor
接头:	Wire lead
重量:	-
Electrical	
绝缘强度:	Over 1 minute at 1,500 VAC, 0.5mA, 50/60 Hz
绝缘电阻:	Over 100 M Ω at DC 500V
讯号输出:	-
Environment	
使用温度:	Ambient non-condensing -30~+80C
保存温度:	-40C~+100C (at 65%RH)
平均预期寿命:	L10 50K hours at 55C, 80K hours at 35C

► Performance P-Q Curves



- Nomenclature
- F/G Tach
- R/D Alarm
- Dual Voltage
- Multiple Speed
- IP Report

► Outline Dimensions



相關產品