



Φ60xL.120x206x90mm 85~40 CFM, AC Crossflow fan

	额定电压	电压范围	频率	输入功率	参考转速	最大风量	最大风压	噪音	PQ		
Model No	VAC	VAC	Hz	Watt	RPM	CFM	m3/min	Inch/H2O	mm	db(A)	
MCA612SP11-1** (****#)	115	100~120	50/60	36/33	2750/3000	78/85	2.2/2.4	0.19/0.26	4.83/6.6	44	2/1
MCA612SP11-2** (****#)	115	100~120	50/60	22/24	2200/2000	62/58	1.8/1.6	0.12/0.10	3.05/2.54	37	4/3
MCA612SP11-3** (****#)	115	100~120	50/60	13/15	1500/1300	47/40	1.3/1.1	0.055/0.042	1.4/1.07	28	6/5
MCA612SP22-1** (****#)	230	200~240	50/60	36/33	2750/3000	78/85	2.2/2.4	0.19/0.26	4.83/6.6	44	2/1
MCA612SP22-2** (****#)	230	200~240	50/60	22/24	2200/2000	62/58	1.8/1.6	0.12/0.10	3.05/2.54	37	4/3
MCA612SP22-3** (****#)	230	200~240	50/60	13/15	1500/1300	47/40	1.3/1.1	0.055/0.042	1.4/1.07	28	6/5

- ** = "WB" for wire lead type Ball bearing, or "TB" for terminal block type Ball bearing
- (****#) = (RENON),(LESGN),(RESG F/G),

1st* = R, L, C - Motor position

2nd* = E, V, Q, H - Air outlet direction

3rd* = S, N - Shield Guard for motor

4th* = G, O - Grill Guard for Impeller

= R/D, F/G, S/C, P/W, S/V, N - Motor Function, N = none, normal motor

Please click Nomenclature to have full & clear model No.

- 100, 200, 240V 或特殊电压 12, 24, 28, 38, 42, 48, 380, 440, 480V... 50/60Hz, 任何电压都可订做。
- 双速 高/中 1速/2速, 中/低 2速/3速 可依需求制造。
- 信诺保留修改资料与改良电子&机械设计的权利, 无须告知。资料公差 +/-10%

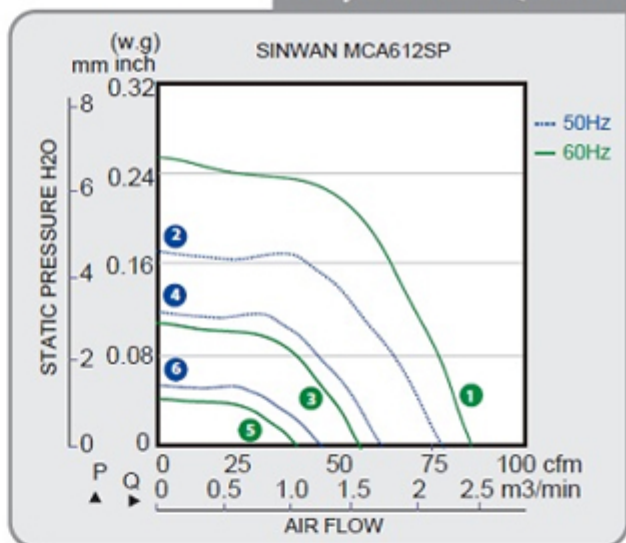
Motor
 马达类别: Shaded pole, outer rotor, 2 pole, single phase, Sinwan Motor MEA172EAN
 马达防护: Thermally protected, UL/CUL PRGY2/8, E329400
 IP 防护:

Mechanical
 外框: Steel alloy sheet housing & frame, coating black or galvanized
 叶轮: Aluminum alloy fan blades
 轴承: Permanently lubricated ball bearings for motor and bracket
 旋转方向: CW motor at right (R), CCW at left (L), seen from air outlet
 接头: Wire leads or terminal block connecting for choice
 重量: 1,140Gm (2.5Lbs)

Electrical
 绝缘强度: Over 1 min. at 1,500VAC, 0.5mA, 50/60Hz
 绝缘电阻: Over 100 MΩ at DC 500V
 讯号输出: Optional:R/D alarm output, tachometer output

Environment
 使用温度: Acceptable -25°C~+65°C
 保存温度: -30°C~+90°C (65%RH)
 平均预期寿命: 40K hrs at 45°C, 25K hrs at 65°C

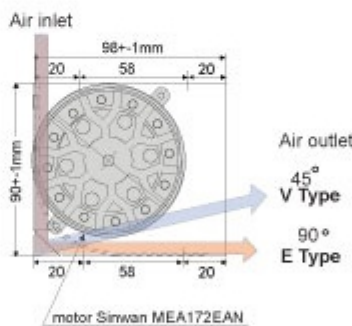
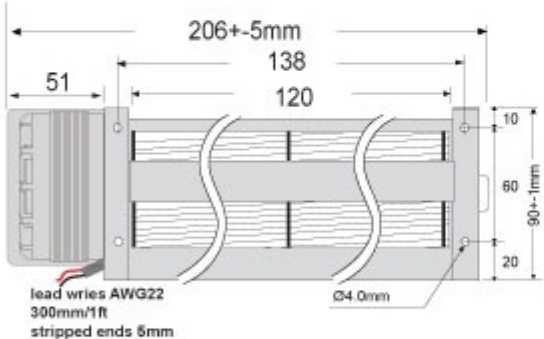
Performance P-Q Curves



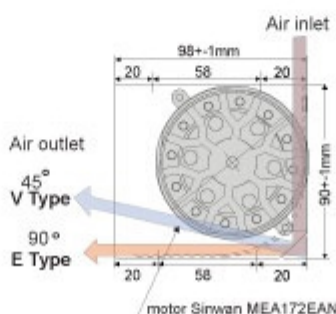
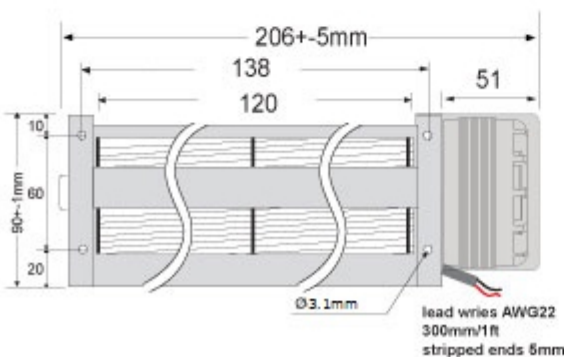
- Nomenclature
- F/G Tach
- R/D Alarm
- Dual Voltage
- Multiple Speed

Outline Dimensions

L Type



R Type



相关产品



Motor
Sinwan Motor MEA172EAN