



Φ40xL.90x151x60mm 35~20CFM, AC Crossflow fan

Model No	额定电压 VAC	电压范围 VAC	频率 Hz	输入功率 Watt	参考转速 RPM	最大风量 CFM	m3/min	最大风压 Inch/H2O	mm	噪音 db(A)	PQ
----------	----------	----------	-------	-----------	----------	----------	--------	---------------	----	----------	----

- ** = "WB" for wire lead type Ball bearing, or "TB" for terminal block type Ball bearing
 - (****#) = (RENON),(LESGN),(RESG F/G),
 - 1st* = R, L, C - Motor position
 - 2nd* = E, V, Q, H - Air outlet direction
 - 3rd* = S, N - Shield Guard for motor
 - 4th* = G, O - Grill Guard for Impeller
 - # = R/D, F/G, S/C, P/W, S/V, N - Motor Function, N = none, normal motor
- Please click Nomenclature to have full & clear model No.
- 100, 200, 240V 或特殊电压 12, 24, 28, 38, 42, 48, 380, 440, 480V... 50/60Hz, 任何电压都可订做。
 - 双速 高/中 1速/2速, 中/低 2速/3速 可依需求制造。
 - 信湾保留修改资料与改良电子&机械设计的权利, 无须告知。资料公差 +/-10%

Motor
 马达类别: Shaded pole, inner rotor, 2 pole, single phase, Sinwan Motor MIA825
 马达防护: Impedance protected
 IP 防护:

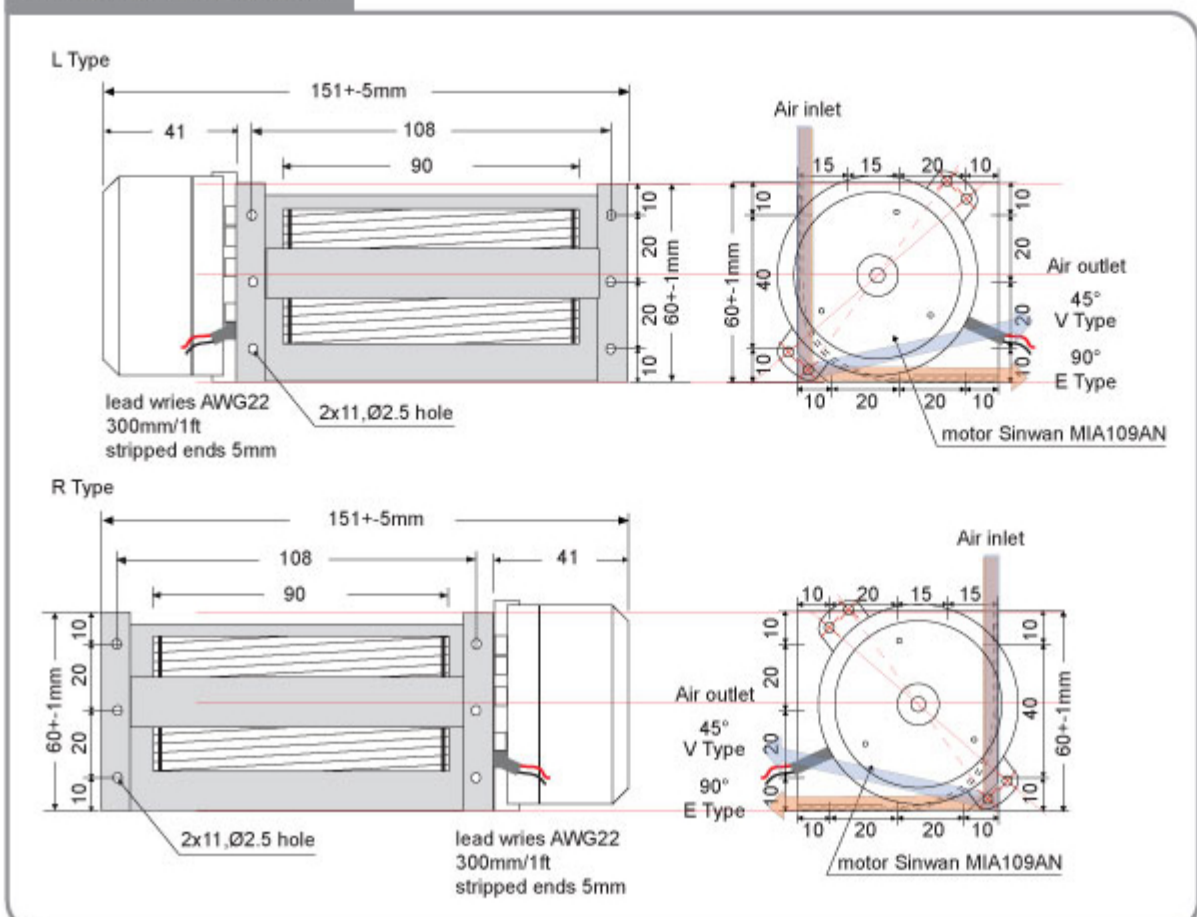
Mechanical
 外框: Steel alloy sheet housing & frame, coating black or galvanized
 叶轮: Aluminum alloy fan blades
 轴承: Permanently lubricated ball bearings for motor and bracket
 旋转方向: CW motor at right (R), CCW at left (L), seen from air outlet
 接头: Wire leads or terminal block connecting for choice
 重量: -

Electrical
 绝缘强度: Over 1 min. at 1,500VAC, 0.5mA, 50/60Hz
 绝缘电阻: Over 100 MΩ at DC 500V
 讯号输出: Optional:R/D alarm output, tachometer output

Environment
 使用温度: Acceptable -25°C~+65°C
 保存温度: -30°C~+90°C (65%RH)
 平均预期寿命: 40K hrs at 45°C, 25K hrs at 65°C

► Performance P-Q Curves

► Outline Dimensions



相關產品

