



AC PFA305AN



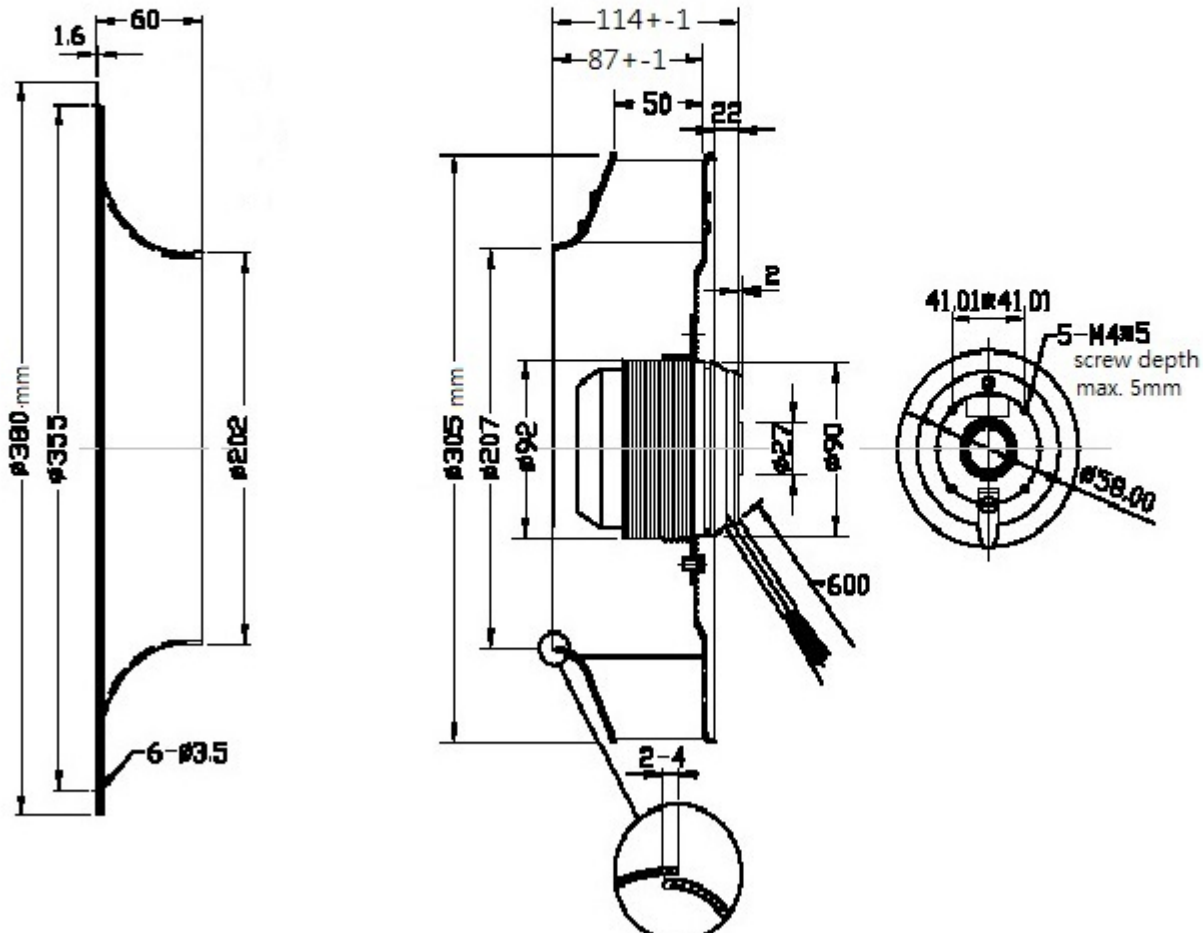
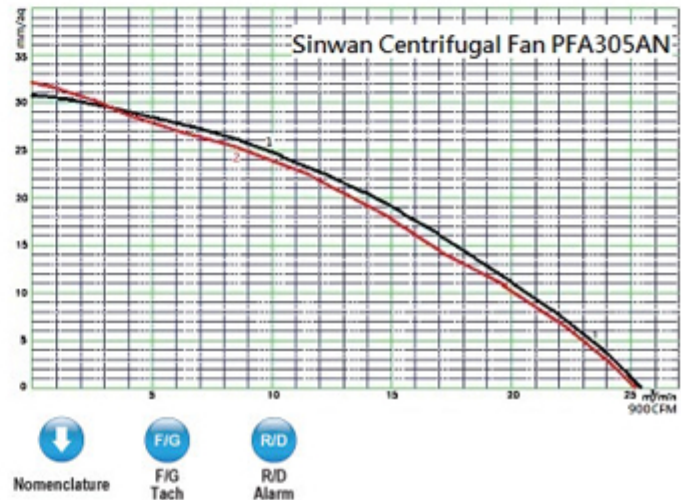
Dia.305xH.114 mm/12x4.5inch Max.906 CFM

Sinwan AC Centrifugal Fan, Motorized Impeller, Backward curved blades

	额定电压	电压范围	频率	输入功率	参考转速	最大风量	最大风压	噪音	PQ
Model No	VAC	VAC	Hz	Watt	RPM	CFM	m3/min Inch/H2O mm	db(A)	
PFA305AN11-3**	115	100~120	50/60	160	1550/1580	902/905	25.5/25.6 1.35/1.23 34.29/31.24	58	2/1
PFA305AN22-3**	230	200~240	50/60	160	1550/1600	902/906	25.5/25.7 1.35/1.23 34.29/31.24	59	2/1

- ** = "WB" for wire leads type, Ball bearing, or "TB" for terminal block connecting type, Ball bearing
- 100, 200, 240V 或特殊电压 12, 24, 28, 38, 42, 48, 380, 440, 480V... 50/60Hz, 任何电压都可订做。
- 双速 高/中 1速/2速, 中/低 2速/3速 可依需求制造。
- 信湾保留修改资料与改良电子&机械设计的权利, 无须告知。资料公差 +-10%

- Motor**
- 马达类别: Outer rotor, capacitor induction. Sinwan MEA305series
- 马达防护: Thermally protected
- IP 防护: -
- Mechanical**
- 外框: Aluminum die cast, natural coating treatment motor frame
- 叶轮: plastic PA66 grassfiber reinforced impeller with metal flange
- 轴承: Maintenance-free 2 ball bearings
- 旋转方向: CW seen on rotor
- 接头: Wire leads, or Terminal block connecting optional
- 重量: -
- Electrical**
- 绝缘强度: Over 1 min. at 1,500 VAC, 0.5mA, 50/60Hz
- 绝缘电阻: Over 100M Ohm at DC 500V
- 讯号输出: Motor slow down alarm R/D, Tach F/G
- Environment**
- 使用温度: -20C~+75C
- 保存温度: -35 ~ +100C
- 平均预期寿命: 65K hours at 45°C, 25K hours at 65°C based on life test Formula L10



相關產品

