



AC M254GAN (3)



Dia.254x89mm/10x3.5inch 930 CFM

Sinwan AC Metal Impeller, Reverse Airflow

Model No	额定电压 VAC	电压范围 VAC	频率 Hz	输入功率 Watt	参考转速 RPM	最大风量 CFM	最大风压 m3/min Inch/H2O mm	噪音 db(A)	PQ	
M254GAN11-1** (3) (100)	100	100~120	50/60	95/105	2750/3250	800/930	22.7/26.3 0.96/1.07 24.38/27.18	65 56	2/1	
M254GAN11-1** (3)	115	100~120	50/60	95/105	2800/3300	800/930	22.7/26.3 0.96/1.07 24.38/27.18	67	2/1	
M254GAN11-2** (3)	115	100~120	50/60	80/95	2300/2250	670/615	19/17.4 0.25/0.20 6.35/5.08	56	4/3	
M254GAN11-3** (3)	115	100~120	50/60	32/40	1500/1700	400/450	11.3/12.7 0.22/0.28 5.59/7.11	49	6/5	
M254GAN11-4** (3)	115	100~120	50/60	24/33	1200/1100	370/340	10.5/9.6 0.18/0.15 4.57/3.81	37	8/7	
M254GAN11-1/2** (3) dual speed	115	100~120	50/60	-1 95/105 -2 80/95	2800/3300 2300/2250	800/930 670/615	22.7/26.3 19/17.4 0.25/0.20	24.38/27.18 65 53	2/1 4/3	
M254GAN11-3/4** (3) dual speed	115	100~120	50/60	-3 22/40 -4 24/33	1500/1700 1200/1100	400/450 370/340	11.3/12.7 10.5/9.6 0.22/0.28 0.18/0.15	5.59/7.11 4.57/3.81	48 35	6/5 8/7
M254GAN22-1** (3) (200)	200	200~240	50/60	95/105	2750/3250	800/930	22.7/26.3 0.89/1.10 22.61/27.94	65	2/1	
M254GAN22-1** (3)	230	200~240	50/60	95/105	2800/3300	800/930	22.7/26.3 0.89/1.10 22.61/27.94	67	2/1	
M254GAN22-2** (3)	230	200~240	50/60	80/95	2300/2250	670/615	19/17.4 0.25/0.20 6.35/5.08	53	4/3	
M254GAN22-3** (3)	230	200~240	50/60	32/40	1500/1700	400/450	11.3/12.7 0.22/0.28 5.59/7.11	48	6/5	
M254GAN22-4** (3)	230	200~240	50/60	24/33	1200/1250	370/385	10.5/10.9 0.18/0.15 4.57/3.81	35	8/7	
M254GAN22-1/2** (3) dual speed	230	200~240	50/60	-1 95/105 -2 80/95	2800/3300 2300/2250	800/930 670/615	22.7/26.3 19/17.4 0.25/0.20	24.38/27.18 65 53	2/1 4/3	
M254GAN22-3/4** (3) dual speed	230	200~240	50/60	-3 22/40 -4 24/33	1500/1700 1200/1100	400/450 370/340	11.3/12.7 10.5/9.6 0.22/0.28 0.18/0.15	5.59/7.11 4.57/3.81	48 35	6/5 8/7
M254GAN11/22-1** (3) dual voltage	115 230	100~120 200~240	50/60	95/105	2800/3300	800/930	22.7/26.3 0.96/1.07 24.38/27.18	67	2/1	
M254GAN8-1** (3)	48	48~58	50/60	95/105	2700/3200	790/920	22.4/26.1 0.96/1.07 24.38/27.18	67	2/1	
M254GAN38-1** (3)	380	380~420	50/60	95/105	2800/3280	800/930	22.7/26.3 0.96/1.07 24.38/27.18	67	2/1	
M254GAN44-1** (3)	440	440~480	50/60	95/105	2800/3280	800/930	22.7/26.3 0.96/1.07 24.38/27.18	67	2/1	

- ** = "WB" for wire lead type Ball bearing, or "TB" for terminal type Ball bearing
- 100, 200, 240V 或特殊电压 12, 24, 28, 38, 42, 48, 380, 440, 480V... 50/60Hz, 任何电压都可订做。
- 双速 高/中 1速/2速, 中/低 2速/3速 可依需求制造。
- 信湾保留修改资料与改良电子&机械设计的权利, 无须告知。资料公差 +/-10%

Motor

马达类别: Capacitor induction, outer rotor, 1-phase

马达防护: Thermal protector

IP 防护: IP56

Mechanical

外框: Aluminum die cast, natural color(AN)

叶轮: 3 blades, all metal

轴承: Two ball bearings

旋转方向: CCW seen on rotor

接头: Wire lead or terminal flat pin connecting

重量: 2,350g (5.18Lbs)

Electrical

绝缘强度: Over 1 min. at 1,500 VAC, 0.5mA, 50/60 Hz

绝缘电阻: Over 100 MΩ at DC 500V

讯号输出: Optional:R/D alarm output, F/G tachometer output

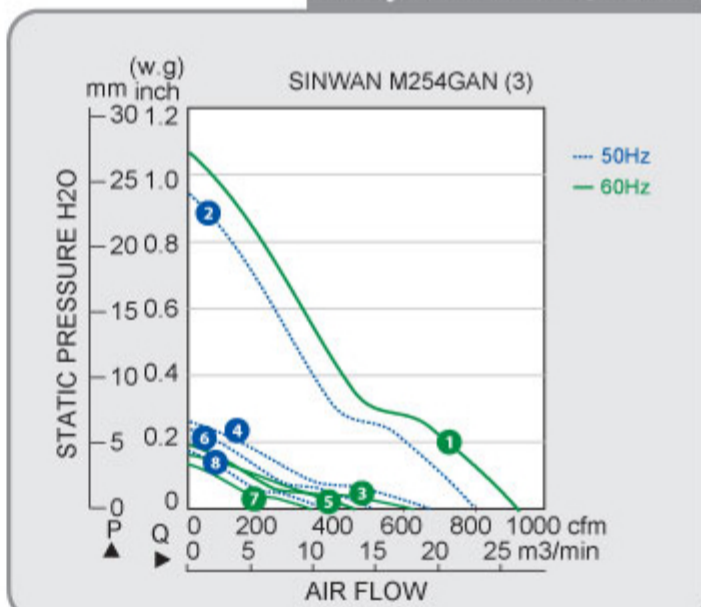
Environment

使用温度: Ambient non-condensing -30~+80C

保存温度: -40C~+100C (at 65%RH)

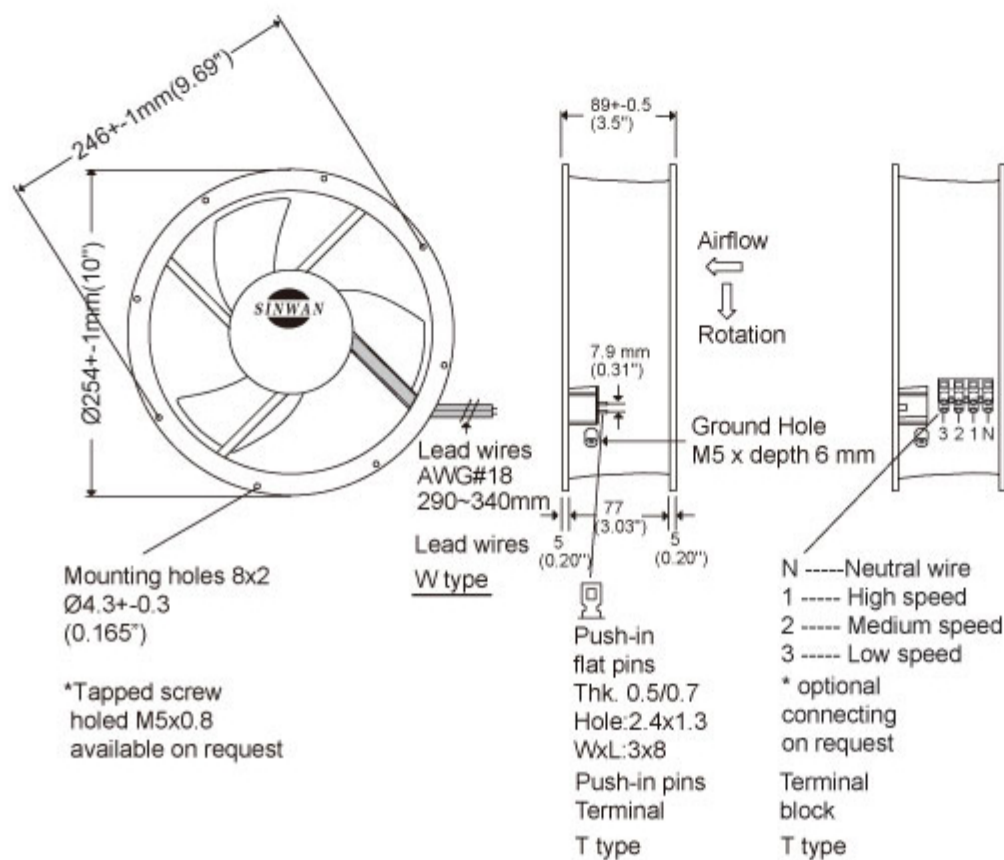
平均预期寿命: L10 50K hours at 55C

Performance P-Q Curves



- Nomenclature
- FIG Tach
- R/D Alarm
- Dual Voltage
- Multiple Speed
- IP Report

Outline Dimensions



相关产品

