

# 172x150x55mm/6x2.2inch 250 CFM

Sinwan AC Metal Impeller, Capacitor motor



Model No	额定电压 VAC	电压范围 VAC	频率 Hz	输入功率 Watt	参考转速 RPM	最大风量 CFM	m3/min	最大风压 Inch/H2O	mm	噪音 db(A)	PQ
M172EAP-11-1** (MS)	115	100~120	50/60	26/35	2750/3150	210/250	5.9/7.1	0.55/0.58	13.97/14.73	35/38	2/1
M172EAP-11-2** (MS)	115	100~120	50/60	22/20	2300/2400	175/190	5/5.4	0.45/0.43	11.43/10.92	34/33	4/3
M172EAP-11-3** (MS)	115	100~120	50/60	18/16	1500/1600	115/128	3.3/3.6	0.32/0.29	8.13/7.37	32	6/5
M172EAP-22-1** (MS)	230	200~240	50/60	26/35	2750/3150	210/250	5.9/7.1	0.55/0.58	13.97/14.73	35/38	2/1
M172EAP-22-2** (MS)	230	200~240	50/60	22/20	2300/2400	175/190	5/5.4	0.45/0.43	11.43/10.92	34/33	4/3
M172EAP-22-3** (MS)	230	200~240	50/60	18/16	1500/1600	115/128	3.3/3.6	0.32/0.29	8.13/7.37	32	6/5
M172EAP-22-1/2** (MS)	230	200~240	50/60	26/35	2750/3150	210/250	5.9/7.1	0.55/0.58	13.97/14.73	35/38	2/1
M172EAP-11/22-1** (MS)	115	100~120	50/60	26/35	2750/3150	210/250	5.9/7.1	0.55/0.58	13.97/14.73	35/38	2/1
	230	200~240									
dual voltage											
M172EAP-38-1** (MS)	380	380~420	50/60	26/35	2700/3050	206/242	5.8/6.9	0.53/0.56	13.46/14.22	35/36	2/1
M172EAP-44-1** (MS)	440	440~480	50/60	26/35	2700/3050	206/242	5.8/6.9	0.53/0.56	13.46/14.22	35/36	2/1

- \*\* = "WB" for wire lead type Ball bearing, or "TB" for terminal type Ball bearing
- 100, 200, 240V 或特殊电压 12, 24, 28, 38, 42, 48, 380, 440, 480V... 50/60Hz, 任何电压都可订做。
- 双速 高/中 1速/2速, 中/低 2速/3速 可依需求制造。
- 信湾保留修改资料与改良电子&机械设计的权利, 无须告知。资料公差 +-10%

### Motor

马达类别: Capacitor induction, outer rotor, 1-phase

马达防护: Thermal protector

IP 防护: IP54

### Mechanical

外框: Aluminum die cast, black color(AP)

叶轮: 6 blades, all metal

轴承: Two ball bearings

旋转方向: CCW seen on rotor

接头: Wire lead or terminal flat pin connecting

重量: 1,200 g (2.7 Lbs)

### Electronical

绝缘强度: Over 1 min. at 1,500 VAC, 0.5mA, 50/60 Hz

绝缘电阻: Over 100 MΩ at DC 500V

讯号输出: Optional:R/D alarm output, tachometer output F/G

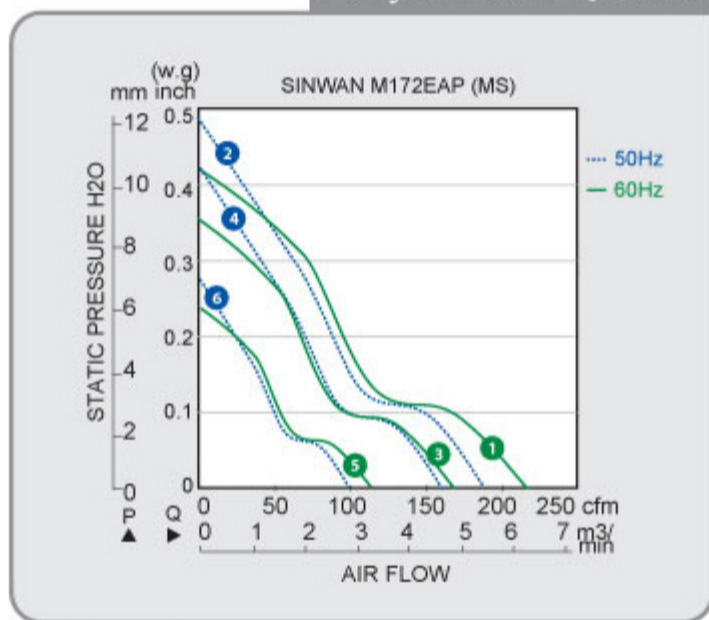
### Environment

使用温度: Ambient non-condensing -30~+80C

保存温度: -40C~+100C (at 65%RH)

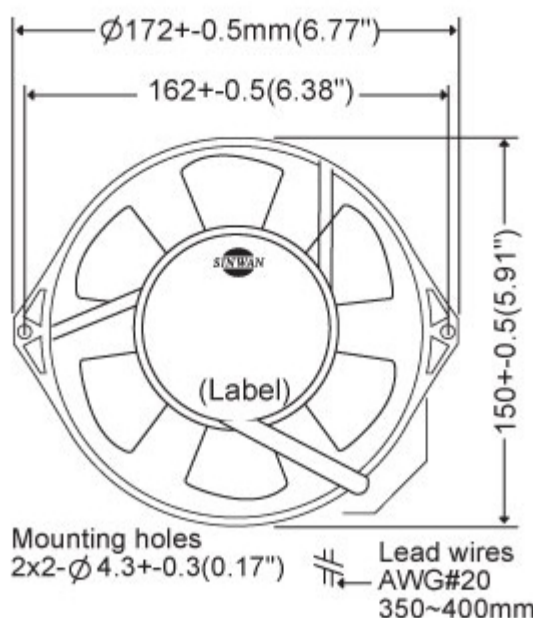
平均预期寿命: L10 50K hours at 55C

### Performance P-Q Curves



- Nomenclature
- Dual Voltage
- Multiple Speed

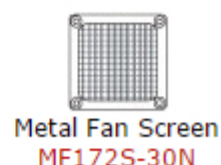
### Outline Dimensions



Wire type

Terminal type

### 相关产品



RoHS