



-AC- M150AP (MS)



172x150x38.5mm / 6x1.5inch

240~110 CFM

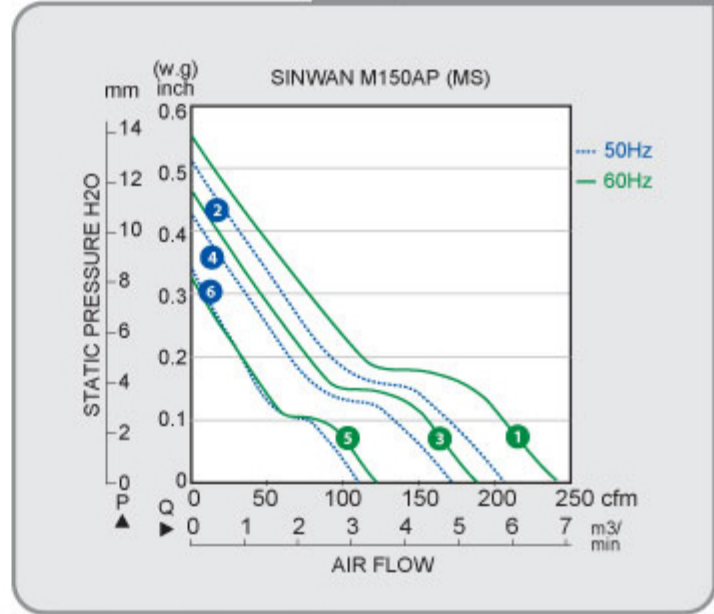
Sinwan AC Metal Impeller, capacitor motor

Model No	额定电压 VAC	电压范围 VAC	频率 Hz	输入功率 Watt	参考转速 RPM	最大风量 CFM	m3/min	最大风压 Inch/H2O	mm	噪音 db(A)	PQ
M150AP-11-1**	115	100~120	50/60	28/32	2700/3100	205/240	5.8/6.8	0.51/0.54	12.95/13.7258	258	2/1
M150AP-11-2**	115	100~120	50/60	22/25	2300/2400	170/180	4.8/5.1	0.43/0.47	10.92/11.9443	32	4/3
M150AP-11-3**	115	100~120	50/60	16/20	1500/1600	110/120	3.1/3.4	0.34/0.33	8.64/8.38	32	6/5
M150AP-11-1/2/3** triple speed	115	100~120	50/60	28/32	2700/3100	205/240	5.8/6.8	0.51/0.54	12.95/13.7258		
				22/25	2450/2500	185/195	5.2/5.5	0.46/0.44	11.68/11.1844		
				16/20	2150/1950	165/150	4.7/4.2	0.41/0.34	10.41/8.64	39	
M150AP-22-1**	230	200~240	50/60	28/32	2700/3100	205/240	5.8/6.8	0.51/0.54	12.95/13.7258		2/1
M150AP-22-2**	230	200~240	50/60	22/25	2300/2200	170/163	4.8/4.6	0.43/0.42	10.92/10.6743		4/3
M150AP-22-3**	230	200~240	50/60	16/20	1800/1600	135/120	3.8/3.4	0.36/0.33	9.14/8.38	32	6/5
M150AP-11/22-1** dual voltage	115	100~120	50/60	28/32	2700/3100	205/240	5.8/6.8	0.51/0.54	12.95/13.7258		2/1
	230	200~240									

- ** = "WB" for wire lead type Ball bearing, or "TB" for terminal type Ball bearing
- 100, 200, 240V 或特殊电压 12, 24, 28, 38, 42, 48, 380, 440, 480V... 50/60Hz, 任何电压都可订做。
- 双速 高/中 1速/2速, 中/低 2速/3速 可依需求制造。
- 信诺保留修改资料与改良电子&机械设计的权利, 无须告知。资料公差 +/-10%

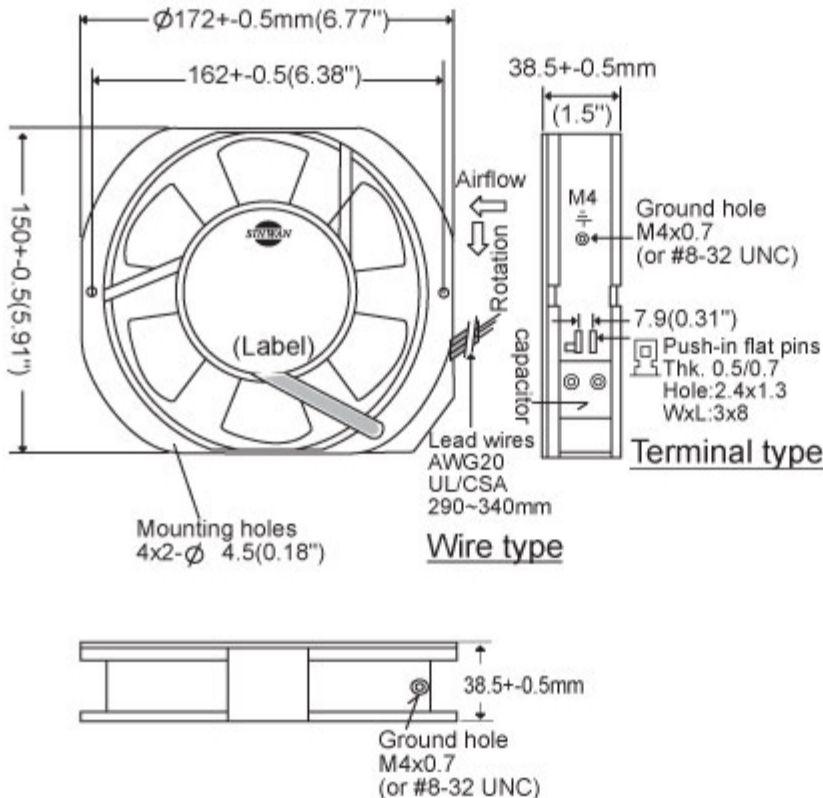
Motor	
马达类别:	Capacitor induction motor, outer rotor
马达防护:	Thermal protector
IP 防护:	IP54
Mechanical	
外框:	Aluminum die cast, black color(AP)
叶轮:	Metal 6 blades
轴承:	Two ball bearings
旋转方向:	CCW seen on rotor
接头:	Wire lead or terminal flat pin connecting
重量:	820 g (1.8 Lbs)
Electrical	
绝缘强度:	Over 1 min. at 1,500 VAC, 50/60Hz
绝缘电阻:	Over 100 MΩ at DC 500V
讯号输出:	Optional:R/D alarm output, tachometer output F/G
Environment	
使用温度:	Ambient non-condensing -30~+80C
保存温度:	-40C~+100C (at 65%RH)
平均预期寿命:	L10 50K hours at 55C

Performance P-Q Curves



- Nomenclature
- Dual Voltage
- Multiple Speed

Outline Dimensions



相关产品



Metal Fan Guard
G172-10H



Plastic Fan Guard
G172P



Plastic Fan Filter
GRM172-30



Metal Fan Screen
MF172S-30N



RoHS