



-AC- S125AP



120x120x25.5mm/4.7x1inch 75 CFM

Sinwan Plastic Impeller Tubeaxial Fan

	额定电压	电压范围	频率	输入功率	参考转速	最大风量	最大风压	噪音	PQ		
Model No	VAC	VAC	Hz	Watt	RPM	CFM	m3/min	Inch/H2O	mm	db(A)	
S125AP-11-1**	115	100~120	50/60	15/13	2500/2950	60/75	1.7/2.1	0.24/0.29	6.1/7.37	37	2/1
S125AP-11-2**	115	100~120	50/60	12/10	2300/2400	55/62	1.6/1.8	0.21/0.23	5.33/5.84	30	4/3
S125AP-11-3**	115	100~120	50/60	8/6	2000/1800	50/47	1.4/1.3	0.19/0.17	4.83/4.32	25	6/5
S125AP-22-1**	230	200~240	50/60	15/13	2500/2950	60/75	1.7/2.1	0.24/0.29	6.1/7.37	37	2/1
S125AP-22-2**	230	200~240	50/60	12/10	2300/2400	55/62	1.6/1.8	0.21/0.23	5.33/5.84	30	4/3
S125AP-22-3**	230	200~240	50/60	8/6	2000/1800	50/47	1.4/1.3	0.19/0.17	4.83/4.32	25	6/5
S125AP-11/22-1**	115	100~120	50/60	15/13	2450/2950	58/75	1.6/2.1	0.24/0.29	6.1/7.37	37	2/1
dual voltage	230	200~240									

- ** = "WB" for wire lead type Ball bearing, or "TB" for terminal type Ball bearing
- 100, 200, 240V 或特殊电压 12, 24, 28, 38, 42, 48, 380, 440, 480V... 50/60Hz, 任何电压都可订做。
- 双速 高/中 1速/2速, 中/低 2速/3速 可依需求制造。
- 信湾保留修改资料与改良电子&机械设计的权利, 无须告知。资料公差 +/-10%

Motor

马达类别: Shaded pole induction, inner rotor, 1-phase

马达防护: Impedance protected

IP 防护: -

Mechanical

外框: Aluminum die cast, black(S125AP)

叶轮: 5 blades, glass fiber reinforced plastic, rated UL94V-0

轴承: Two ball bearings. or sleeve bearing

旋转方向: CCW seen on rotor

接头: Wire leads, terminal flat pin

重量: 370 g (0.82 Lbs)

Electrical

绝缘强度: Over 1 min.at 1,500 VAC, 0.5mA, 50/60 Hz

绝缘电阻: Over 100 MΩ at DC 500V

讯号输出: -

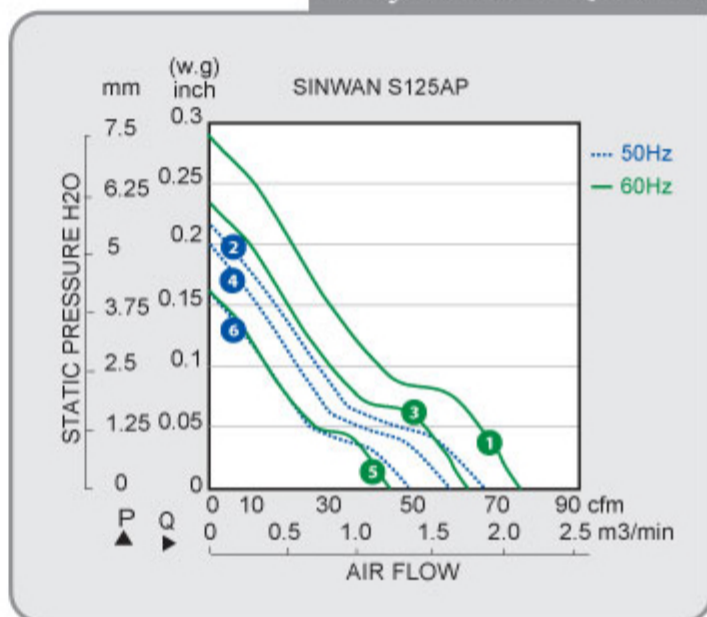
Environment

使用温度: Non-condensing ball bearing (-20C~+70C), sleeve (-10~+40C)

保存温度: -40C~+100C (at 65%RH)

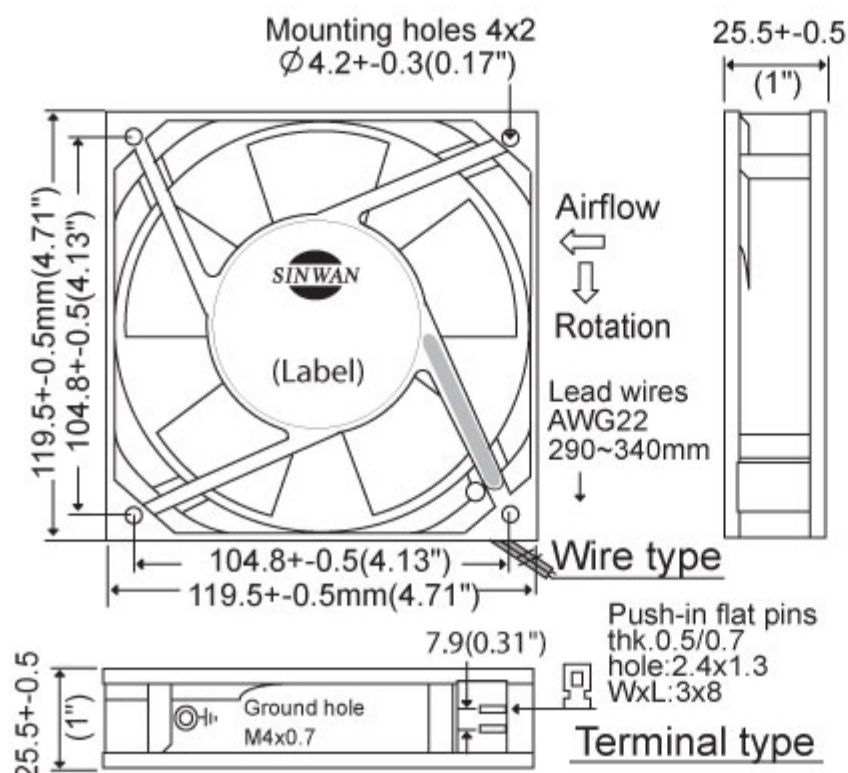
平均预期寿命: Ball bearing 80K hours at 45C, 45K hours at 60C

► Performance P-Q Curves

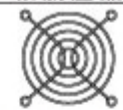


- Nomenclature
- Dual Voltage
- Multiple Speed

► Outline Dimensions



相關產品



Metal Fan Guard

G109-15A, G109-15B, G109-17



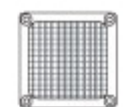
Plastic Fan Guard

G119P2, G119P4, G120P, G120P2, G120P25F, G120P4



Plastic Fan Filter

GRM120-30, GRM120-45



Metal Fan Screen

MF120S-30N

