



280x280x88.9mm/11x3.5inch

1450 CFM

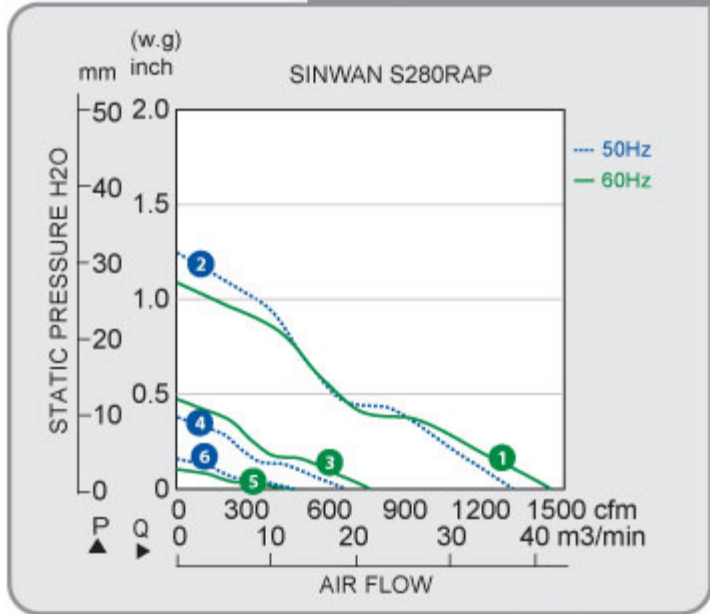
Sinwan Plastic Impeller Tubeaxial Fan

Model No	额定电压 VAC	电压范围 VAC	频率 Hz	输入功率 Watt	参考转速 RPM	最大风量 CFM	m3/min	最大风压 Inch/H2O	mm	噪音 db(A)	PQ
S280RAP-11-1**	115	100~120	50/60	181/286	2800/3200	1300/1450	36.8/41.1	1.25/1.1	31.75/27.94	75	2/1
S280RAP-11-2**	115	100~120	50/60	58/55	1500/1700	650/750	18.4/21.2	0.38/0.49	9.65/12.45	48	4/3
S280RAP-11-3**	115	100~120	50/60	32/37	1100/1000	465/450	13.2/12.7	0.16/0.11	4.06/2.79	35	6/5
S280RAP-22-1**	230	200~240	50/60	181/286	2800/3200	1300/1450	36.8/41.1	1.25/1.1	31.75/27.94	75	2/1
S280RAP-22-2**	230	200~240	50/60	58/55	1500/1700	650/750	18.4/21.2	0.38/0.49	9.65/12.45	48	4/3
S280RAP-22-3**	230	200~240	50/60	32/37	1100/1000	465/450	13.2/12.7	0.16/0.11	4.06/2.79	35	6/5
S280RAP-38-1**	380	380~420	50/60	90/140	2750/3000	1280/1360	36.2/38.5	1.2/1	30.48/25.4	75	2/1
S280RAP-44-1**	440	440~480	50/60	90/140	2750/3000	1280/1360	36.2/38.5	1.2/1	30.48/25.4	75	2/1
S280RAP-11/22-1** dual voltage	115/230	100~240	50/60	181/286	2800/3200	1300/1450	36.8/41.1	1.25/1.1	31.75/27.94	75	2/1

- ** = "WB" for wire lead type Ball bearing, or "TB" for terminal type Ball bearing
- 100, 200, 240V 或特殊电压 12, 24, 28, 38, 42, 48, 380, 440, 480V... 50/60Hz, 任何电压都可订做。
- 双速 高/中 1速/2速, 中/低 2速/3速 可依需求制造。
- 信湾保留修改资料与改良电子&机械设计的权利, 无须告知。资料公差 +/-10%

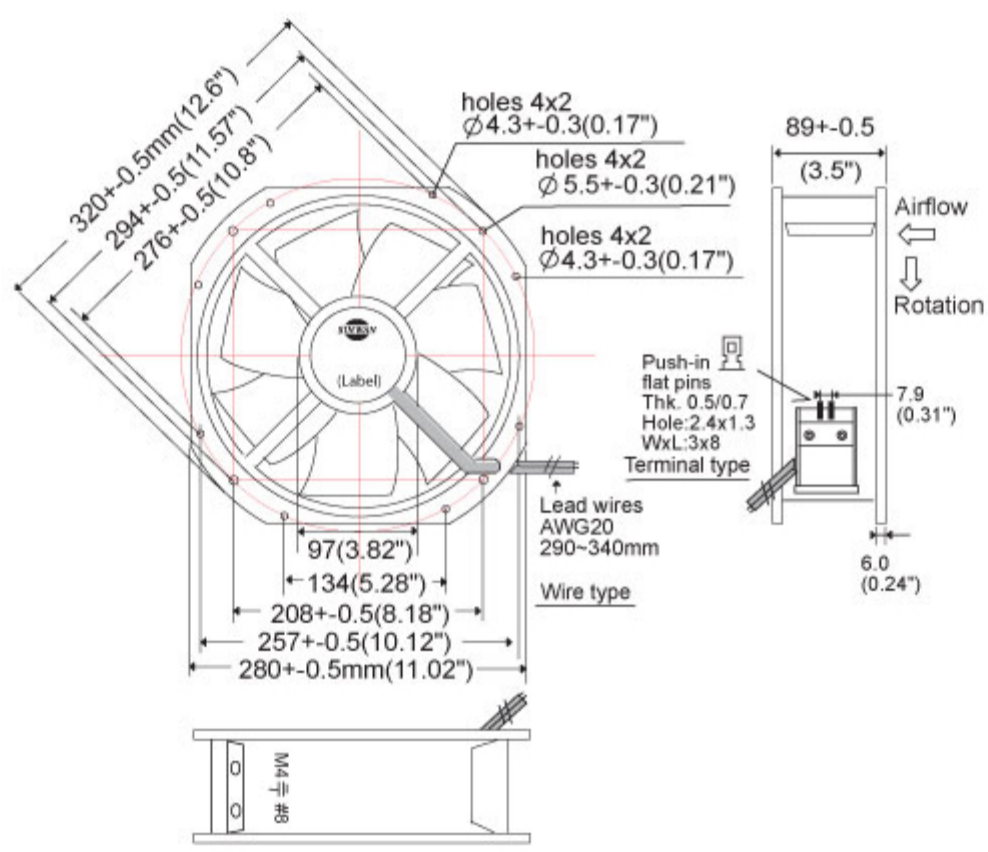
Motor	马达类别: Capacitor induction, inner rotor, 1-phase
马达防护: Thermal protector, auto cut-off, auto reset	
IP 防护: -	
Mechanical	
外框: Aluminum die cast, black color	
叶轮: 7 blades, glass fiber reinforced plastic, rated UL94V-0	
轴承: Two ball bearings	
旋转方向: CCW seen on rotor	
接头: Wire leads, or push-in terminal flat pins	
重量: 3,950g (8.7 Lbs)	
Electronical	
绝缘强度: Over 1 min. at 1,500 VAC, 0.5mA, 50/60 Hz	
绝缘电阻: Over 100 MΩ at DC 500V	
讯号输出: Optional:alarm R/D, tachometer F/G	
Environment	
使用温度: Ambient non-condensing -20~+70C	
保存温度: -40C~+100C (at 65%RH)	
平均预期寿命: L10 90K hours at 35C, 50K hours at 60C	

Performance P-Q Curves



- Nomenclature
- F/G Tach
- R/D Alarm
- Dual Voltage
- Multiple Speed

Outline Dimensions



相关产品

