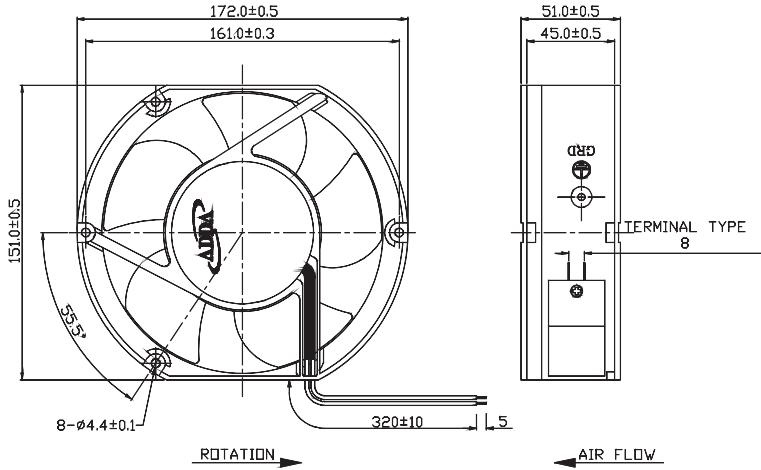




AA17251 SERIES

External Dimensions



Frame: Aluminum Alloy
 Impeller: Plastic (UL:94V-0)
 Motor Structure: Shaded Pole Induction Motor.
 Motor Protection: Thermal Protect.
 Lead wire: UL 1015 AWG 18
 Wire Type: -AT Terminal/ -AW Wires
 OPERATING TEMP*: -10°C~70°C
 *: -10°C~60°C for fans with sleeve/ball combination bearings.

Specifications(Nominal)

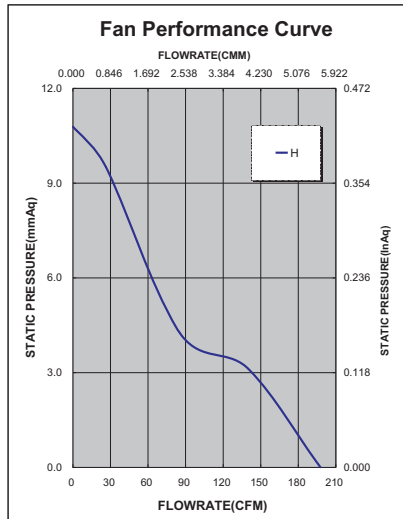
Bearing type: ◎=Ball ※=Sleeve ●=Hypro bearing

Frame size (mm)	Model No.	Bearing System Type	Volt. (VAC)	Freq. (Hz)	Current (A)	Power (W)	Rated Speed (rpm)	Maximum AirFlow (CMM)	Maximum AirFlow (CFM)	Maximum Pressure (InAq)	Maximum Pressure (mmAq)	*Noise Level (dB/A)	Weight (g)
172x150X51	AA1751HB-AT	◎	115	50/60	0.52/0.47	40.90/36.70	2500/2800	5.546/5.943	196.0/210.0	0.425/0.266	10.795/6.756	52.3/53.0	930
	AA1752HB-AT		230		0.26/0.22	41.90/37.60							

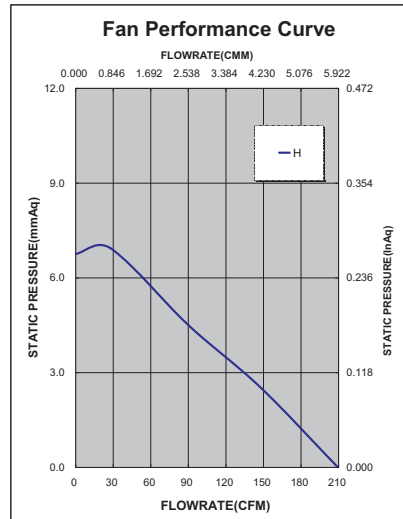
Specifications subject to change without notice.

The specification for bearing type is for reference only, for more bearing types information, please contact with your ADDA sales representative, thanks!!
 (網頁上呈現產品軸承資訊均以2Ball為主, 若需其他產品資訊請聯絡您在ADDA的業務代表, 謝謝!!)

50Hz



60Hz



*Safety approvals

✓	✓		✓	✓