

# AC axial fans

S series, Ø 315



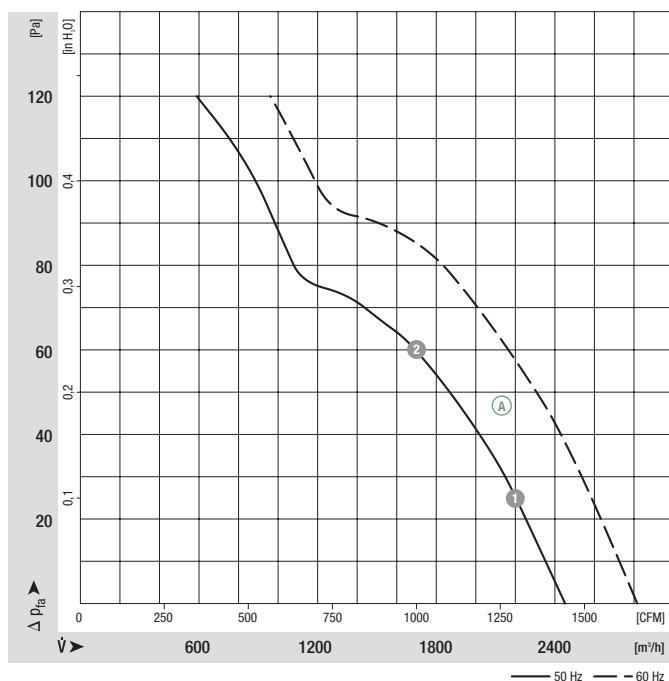
- **Material:** Guard grille: Steel, phosphated and coated in black plastic  
Wall ring: Sheet steel, pre-galvanised and coated in black plastic  
Blades: Sheet steel, coated in black  
Rotor: Coated in black
- **Number of blades:** 5
- **Direction of rotation:** Direction of air flow "V" counter-clockwise, direction of air flow "A" counter-clockwise, seen on rotor
- **Type of protection:** IP 44
- **Insulation class:** "B"
- **Mounting position:** Shaft horizontal or rotor on bottom; rotor on top on request
- **Condensate discharges:** Rotor-side
- **Mode of operation:** Continuous operation (S1)
- **Bearings:** Maintenance-free ball bearings

Nominal data		Curve	Nominal voltage	Frequency	Air flow	Speed/rpm	Power input	Current draw	Capacitor	Sound pressure level	Max. operative range	Perm. amb. temp.	Mass without attachments	Electr. connection
Type	Motor	VAC	Hz	m³/h	rpm	W	A	µF/VDB	dB(A)	Pa	°C	kg	p. 416 f.	
*4D 315 <sup>(1)</sup>	M4D 068-DF	Ⓐ 3~	230/400	50	2450	1400	85	0.45/0.26	—	60	120	-25 to +55	2.4	C1)/C2)
		3~	230/400	60	2810	1620	110	0.42/0.24	—	64	120	-25 to +55		
*4E 315	M4E 068-DF	Ⓑ 1~	230	50	2440	1410	102	0.52	4.0/400	59	120	-25 to +55	2.4	A1)
		1~	230	60	2840	1650	120	0.53	4.0/400	64	120	-25 to +55		
*6E 315	M6E 068-DF	Ⓒ 1~	230	50	1650	950	65	0.33	2.0/400	51	70	-25 to +50	2.4	A1)
		1~	230	60	1950	1120	68	0.30	2.0/450	55	80	-25 to +60		

subject to alterations

(1) 230 VAC Δ / 400 VAC Y

## Curves

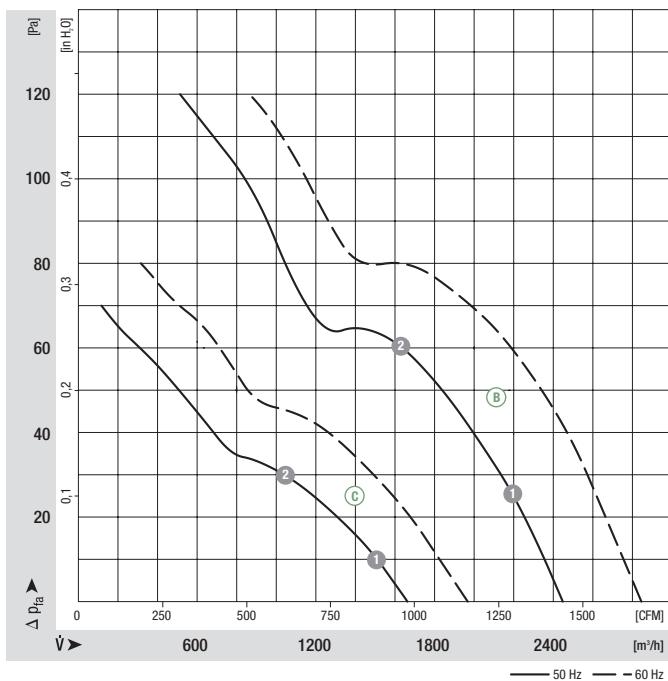


	n [rpm]	P <sub>1</sub> [W]	I [A]
Ⓐ 1	1400	90	0.45/0.26
Ⓐ 2	1380	103	0.47/0.27

- **Motor protection:** (A) Without TOP, (B) (C) TOP wired internally
- **Cable exit:** Axial
- **Protection class:** I
- **Product conforming to standards:** EN 60335-1, (B) (C) also CE
- **Approvals:** CCC; (A) also GOST

Direction of air flow	< "V"/"A" >		< "V"/"A" >		< "V"/"A" >		< "V"/"A" >		< "V" >	
	Without attachments		With full round nozzle		With guard grille for full nozzle		With guard grille for short nozzle		In-line duct fan	
"V"	A4D 315-AP10 -01		W4D 315-CP10 -30		S4D 315-BP10 -30		S4D 315-AP10 -30		W4D 315-IP10 -01	
"A"	A4D 315-AP10 -02		W4D 315-CP10 -31		S4D 315-BP10 -31		S4D 315-AP10 -31		—	
"V"	A4E 315-AP18 -01		W4E 315-CP18 -30		S4E 315-BP18 -30		S4E 315-AP18 -30		W4E 315-IP18 -01	
"A"	A4E 315-AP18 -02		W4E 315-CP18 -31		S4E 315-BP18 -31		S4E 315-AP18 -31		—	
"V"	A6E 315-AP02 -01		W6E 315-CP02 -30		S6E 315-BP02 -30		S6E 315-AP02 -30		—	
"A"	A6E 315-AP02 -02		W6E 315-CP02 -31		S6E 315-BP02 -31		S6E 315-AP02 -31		—	

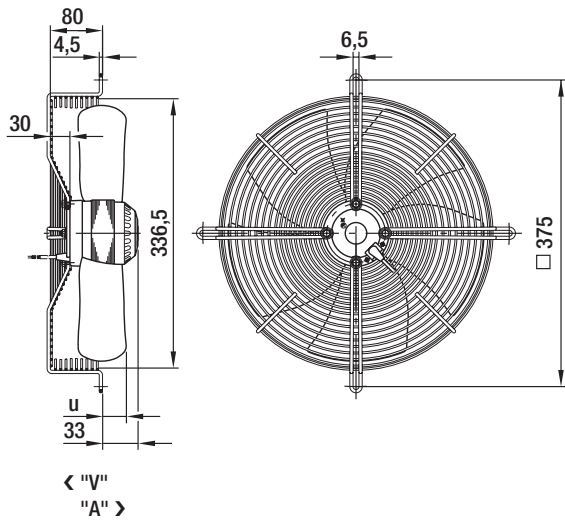
Curves



	n [rpm]	P <sub>1</sub> [W]	I [A]
(B) 1	1400	108	0.54
(B) 2	1380	120	0.57
(C) 1	945	63	0.33
(C) 2	930	66	0.33



### With guard grille for short nozzle

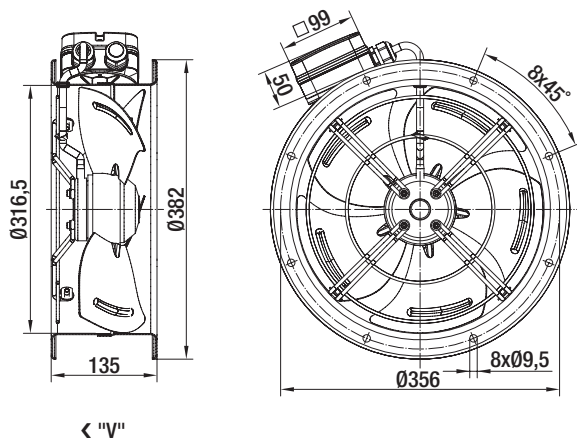


### Type

Type		u
S4D 315-AP10 -30	"V"	40.0
S4D 315-AP10 -31	"A"	28.0
S4E 315-AP18 -30	"V"	40.0
S4E 315-AP18 -31	"A"	28.0
S6E 315-AP02 -30	"V"	40.0
S6E 315-AP02 -31	"A"	28.0



### In-line duct fan



### Type

W4D 315-IP10 -01	"V"
W4E 315-IP18 -01	"V"