

# AC axial fans 2-pole

S series, Ø 300



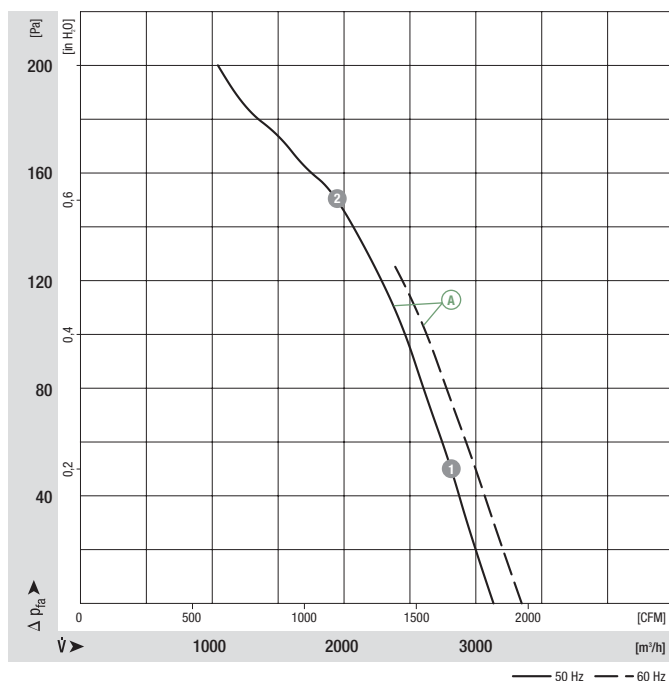
- **Material:** Guard grille: Steel, phosphated and coated in black plastic  
Wall ring: Sheet steel, pre-galvanised and coated in black plastic  
Blades: Sheet steel, coated in black  
Rotor: Coated in black
- **Number of blades:** 5
- **Direction of rotation:** Direction of air flow "V" counter-clockwise, direction of air flow "A" counter-clockwise, seen on rotor
- **Type of protection:** IP 44
- **Insulation class:** "B"
- **Mounting position:** Shaft horizontal or rotor on bottom; rotor on top on request
- **Condensate discharges:** Rotor-side
- **Mode of operation:** Continuous operation (S1)
- **Bearings:** Maintenance-free ball bearings

Nominal data		Curve	Nominal voltage	Frequency	Air flow	Speed/rpm	Power input	Current draw	Capacitor	Sound pressure level	Max. operative range	Perm. amb. temp.	Mass without attachments	Electr. connection
Type	Motor	VAC	Hz	m³/h	rpm	W	A	µF/VDB	dB(A)	Pa	°C	kg	p. 416 f.	
*2D 300 <sup>(1)</sup>	M2D 074-DF	Ⓐ 3~ 230/400	50	3130	2580	210	0.62/0.36	—	72	200	-25 to +55	3.0	C1)/C2)	
		Ⓐ 3~ 230/400	60	3350	2750	300	0.83/0.48	—	73	125	-25 to +40			
*2E 300	M2E 074-DF	Ⓑ 1~ 230	50	3410	2700	230	1.10	8.0/400	73	200	-25 to +50	3.0	A1)	
		Ⓑ 1~ 230	60	3740	3000	350	1.55	8.0/400	76	50	-25 to +40			

subject to alterations

(1) 230 VAC Δ / 400 VAC Y

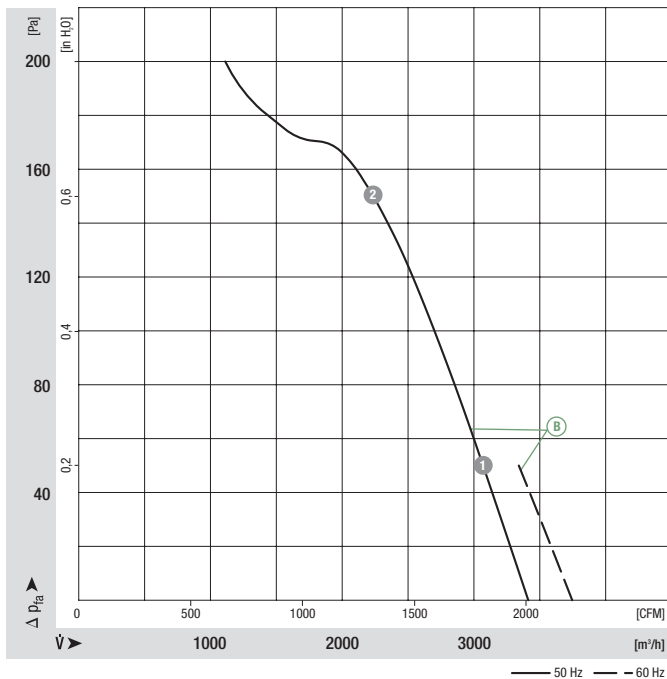
## Curves



- **Motor protection:** (A) Without TOP, (B) TOP wired internally
- **Cable exit:** Variable
- **Protection class:** I
- **Product conforming to standards:** EN 60335-1, (B) also CE
- **Approvals:** CCC

Direction of air flow	< "V"/"A" >			
	Without attachments	With full round nozzle	With guard grille for full nozzle	With guard grille for short nozzle
"V"	A2D 300-AP02 -01	W2D 300-CP02 -30	S2D 300-BP02 -30	S2D 300-AP02 -30
"A"	A2D 300-AP02 -02	W2D 300-CP02 -31	S2D 300-BP02 -31	S2D 300-AP02 -31
"V"	A2E 300-AP02 -01	W2E 300-CP02 -30	S2E 300-BP02 -30	S2E 300-AP02 -30
"A"	A2E 300-AP02 -02	W2E 300-CP02 -31	S2E 300-BP02 -31	S2E 300-AP02 -31

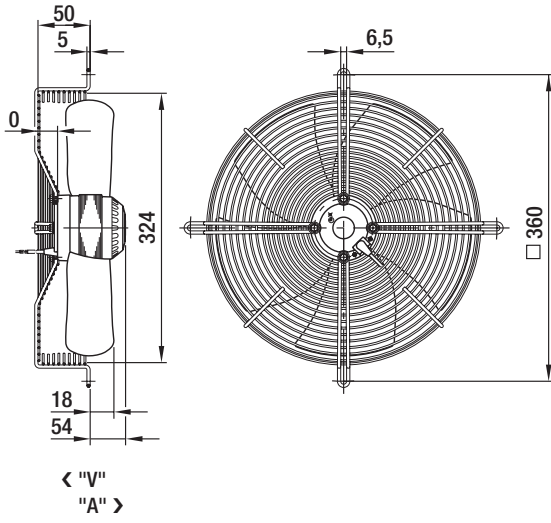
Curves



	n [rpm]	P <sub>1</sub> [W]	I [A]
(B) 1	2680	252	1.11
(B) 2	2560	290	1.27



### With guard grille for short nozzle



### Type

S2D 300-AP02 -30	"V"
S2D 300-AP02 -31	"A"
S2E 300-AP02 -30	"V"
S2E 300-AP02 -31	"A"