

# RLE 30-0406-EC

## Technical Data in Class 2 according to DIN 24166

RLE 30-	Voltage V	Phases	Frequency Hz	Speed 1/min	Max. power consumption kW	Nominal current A	$L_{WAG}$ at $q_{Vopt}$ dB	Motor protec- tion class	Motor thermal class	Media Temperature max. °C	Impeller weight kg
0406-EC-00-37	230	1~	50/60	1260	0,38	1,67	72	IP44	B	40	9,5
0406-EC-01-37	230	1~	50/60	1760	1	4,4	81	IP44	F	40	9,5

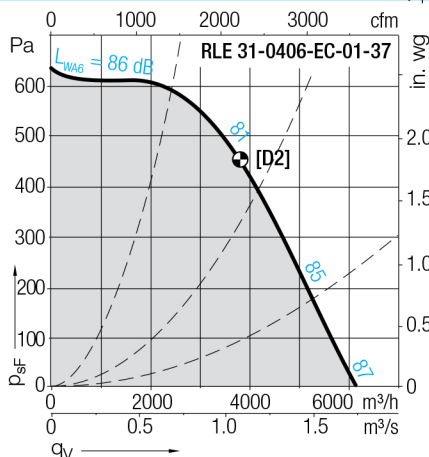
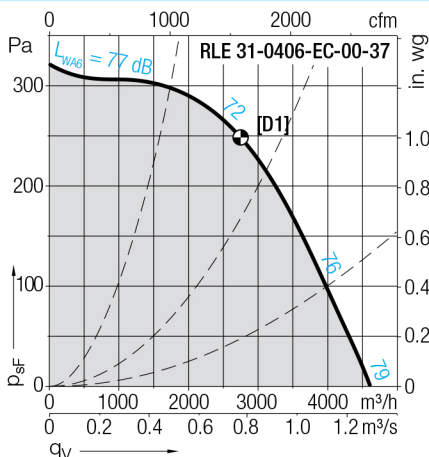
Stepless speed controllable via electrical Commutation Unit.  
The fans must be used with the Electrical Commutation Unit EKE 05.

Performance curves and sound data are valid only for the motor impeller in connection with our inlet cone!

Sound level for inlet side  $L_{WAS} = L_{WAG} - 2$  dB.

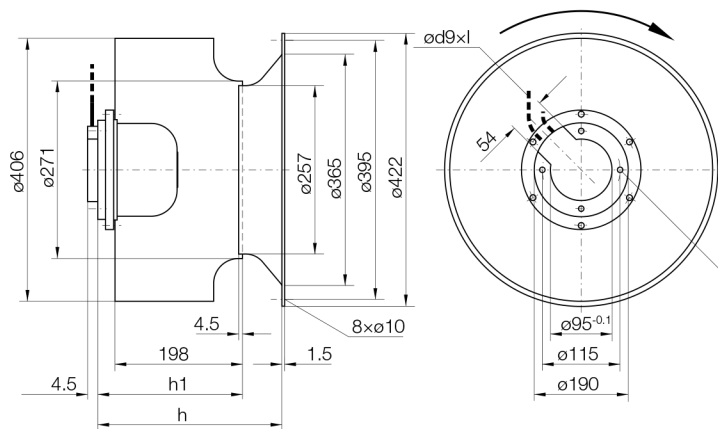
## Curves in Class 2 according to DIN 24166

$\rho_1 = 1.15 \text{ kg/m}^3$

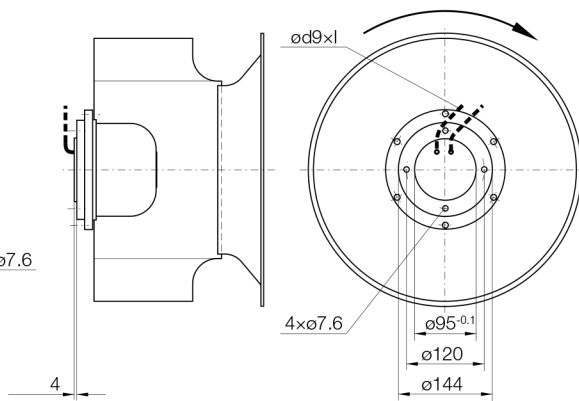


## Dimensions in mm, Subject to change.

RLE 30-0406-EC-00-37



RLE 30-0406-EC-01-37



Dimensions depending on motorsize:

RLE 30-	h	h1
0406-EC-00-37	268.5	223.5
0406-EC-01-37	270.5	225.5

Clockwise rotation RD

Connection cable:

RLE 30-	ød9x1
0406-EC-00-37	ø7.2x800
0406-EC-01-37	ø7.2x800

Reverb sensor cable:

RLE 30-	ød9x1
0406-EC-00-37	ø6.8x800
0406-EC-01-37	ø6.8x800

## Duty Point

N [1/min]	$q_v$
450...900	0.3 $q_{Vmax}$
450...900	0.6 $q_{Vmax}$
450...900	1.0 $q_{Vmax}$
901...1760	0.3 $q_{Vmax}$
901...1760	0.6 $q_{Vmax}$
901...1760	1.0 $q_{Vmax}$

## Relative sound power level for discharge side $L_{Wrel6}$

63	125	250	500	1000	2000	4000	8000	Hz
+8	0	-2	-5	-4	-7	-14	-22	dB
+7	+1	-2	-5	-4	-7	-13	-21	dB
+2	-2	-3	-5	-5	-6	-12	-23	dB
+5	+1	-1	-5	-4	-7	-12	-19	dB
-1	+2	-1	-5	-5	-7	-11	-17	dB
-4	-1	-4	-5	-5	-7	-11	-15	dB

## Relative sound power level for inlet side $L_{Wrel5}$

63	125	250	500	1000	2000	4000	8000	Hz
+9	+2	0	-1	-7	-11	-15	-19	dB
+7	+2	+1	-1	-7	-11	-16	-23	dB
+3	+2	+1	-1	-7	-10	-15	-25	dB
+7	+3	0	-1	-7	-11	-14	-20	dB
+2	+3	+1	-1	-7	-11	-14	-20	dB
-4	+1	0	-1	-7	-10	-13	-16	dB

## Components

RLE 30-	Inlet Cone ZKD	Electronic Commutation Unit EKE
0406-EC-00-37		05-0018-5E-IA
0406-EC-01-37		05-0040-5E-IA