

RLE 20-0299-EC

Technical Data in Class 2 according to DIN 24166

RLE 20-	Voltage V	Phases	Frequency Hz	Speed 1/min	Max. power consumption kW	Nominal current A	L_{WA6} at q_{Vopt} dB	Motor protec- tion class	Motor thermal class	Media Temperature max. °C	Impeller weight kg
0299-EC-00-30	230	1~	50/60	1850	0,23	1,05	73	IP44	B	40	8,3

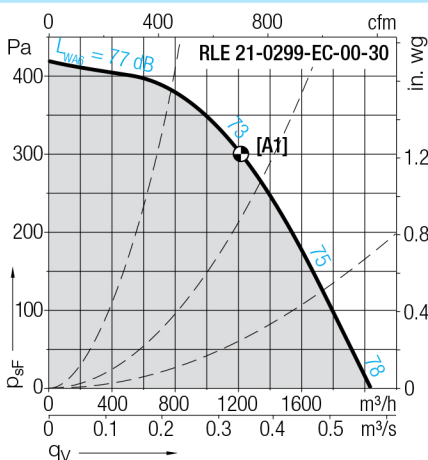
Stepless speed controllable via electronic Commutation Unit.
The fans must be used with the Electronic Commutation Unit EKE 05.

Performance curves and sound data are valid only for the motor impeller in connection with our inlet cone!

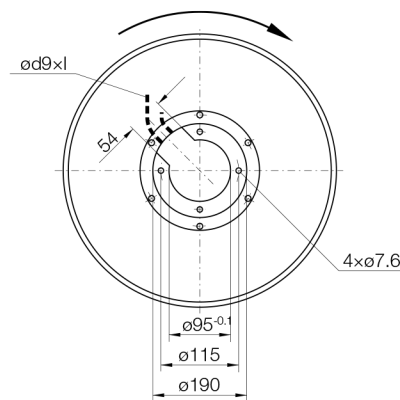
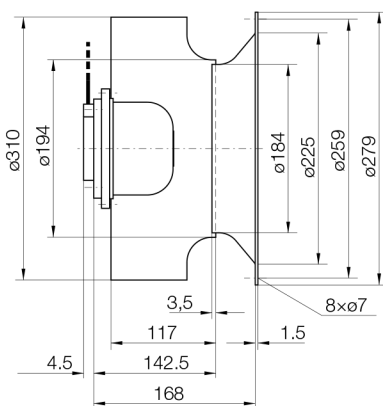
Sound level for inlet side $L_{WA5} = L_{WA6} - 1$ dB.

Curves in Class 2 according to DIN 24166

$\rho_1 = 1.15 \text{ kg/m}^3$



Dimensions in mm, Subject to change.



Connection cable:	
RLE 20-	ø9x1
0299-EC-00-30	ø7.2x800

Clockwise rotation RD	
Reverb sensor cable:	
RLE 20-	ø9x1
0299-EC-00-30	ø6.8x800

Duty Point N [1/min] q_v	Relative sound power level for discharge side L_{Wrel6}								Relative sound power level for inlet side L_{Wrel5}									
	63	125	250	500	1000	2000	4000	8000	Hz	63	125	250	500	1000	2000	4000	8000	Hz
450...900 0.3 q_{Vmax}	+4	-3	-4	-6	-4	-6	-14	-21	dB	+9	+3	+1	-1	-7	-11	-17	-23	dB
450...900 0.6 q_{Vmax}	-1	-5	-4	-6	-6	-5	-12	-20	dB	+3	+2	+1	-1	-7	-10	-14	-27	dB
450...900 1.0 q_{Vmax}	-2	-3	-2	-6	-5	-6	-12	-22	dB	0	+1	+1	-1	-6	-12	-19	-28	dB
901...1800 0.3 q_{Vmax}	-1	-2	-3	-7	-5	-5	-12	-19	dB	+7	+3	+1	-2	-6	-9	-14	-22	dB
901...1800 0.6 q_{Vmax}	-5	-4	-4	-7	-6	-5	-10	-18	dB	0	+1	+1	-1	-7	-10	-14	-23	dB
901...1800 1.0 q_{Vmax}	-9	-3	-3	-6	-5	-6	-12	-19	dB	-3	+2	+1	-1	-6	-12	-16	-23	dB
1801...1850 0.3 q_{Vmax}	+1	-3	-1	-4	-6	-7	-10	-16	dB	+2	+3	+2	-2	-6	-11	-15	-20	dB
1801...1850 0.6 q_{Vmax}	-7	-7	-2	-5	-5	-6	-10	-16	dB	-3	-2	+2	-2	-5	-12	-16	-22	dB
1801...1850 1.0 q_{Vmax}	-15	-13	-3	-5	-5	-6	-10	-18	dB	-8	-5	+1	-1	-6	-12	-15	-20	dB

Components

RLE 20-	Electronic ZKD	Commutation Unit EKE
0299-EC-00-30		05-0018-5E-IA