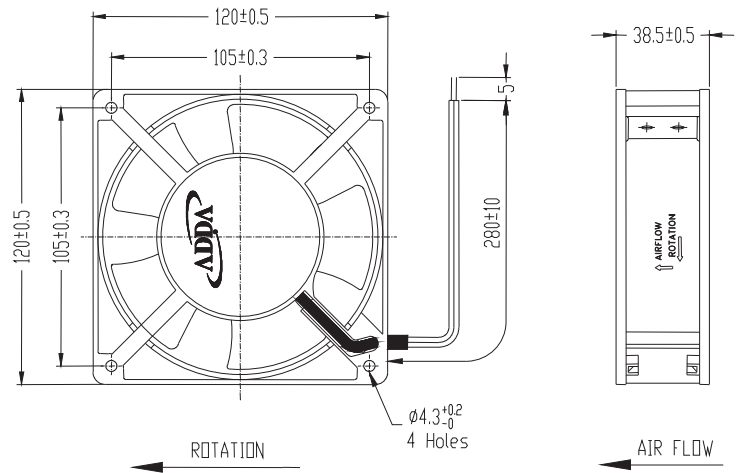




AA12038UB

External Dimensions



Frame: Aluminum Alloy
 Impeller: Plastic (UL:94V-0)
 Motor Structure: Shaded Pole Induction Motor.
 Motor Protection: Impedance Protect.
 Lead wire: UL1430AWG22
 OPERATING TEMP*: -10°C~70°C
 *: -10°C~60°C for fans with sleeve/ball combination bearings.

Specifications(Nominal)

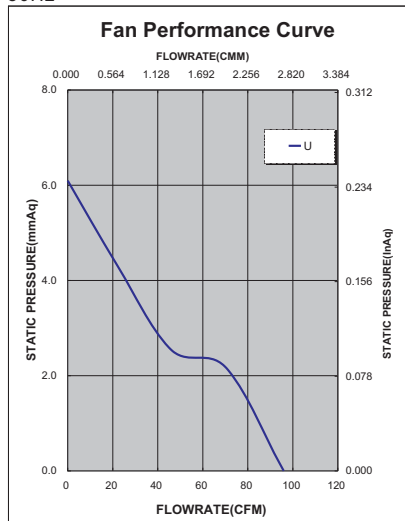
*: Noise is measured at the distance of one (1) meter from the axis of intake.

Bearing type: ◎=Ball ※=Sleeve ○=1B1S ●=Hypro bearing

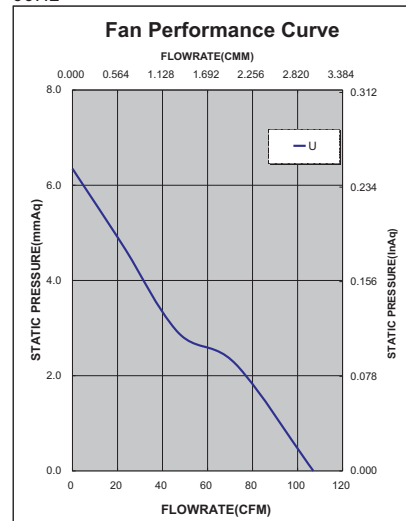
Frame size (mm)	Model No.	Bearing System Type	Volt. (VAC)	Freq. (Hz)	Current (A)	Power (W)	Rated Speed (rpm)	Maximum AirFlow (CMM)	Maximum AirFlow (CFM)	Maximum Pressure (InAq)	Maximum Pressure (mmAq)	*Noise Level (dB/A)	Weight (g)
120x120x38	AA1281UB-AW	◎ ※ ●	115	50/60	0.30/0.25	34.50/28.75	2400/2600	2.716/3.028	96.0/107.0	0.240/0.250	6.096/6.350	46.4/48.1	550
	AA1282UB-AW	◎ ※ ●	230	50/60	0.14/0.12	32.20/27.60							

Specifications subject to change without notice.

50Hz



60Hz



*Safety approvals

✓	✓		✓	✓