

R4D630-AQ15-01

# AC centrifugal fan

backward curved, single inlet

## ebm-papst Mulfingen GmbH & Co. KG

Bachmühle 2 · D-74673 Mulfingen

Phone +49 7938 81-0

Fax +49 7938 81-110

info1@de.ebmpapst.com

www.ebmpapst.com

Limited partnership · Headquarters Mulfingen

County court Stuttgart · HRA 590344

General partner Elektrobau Mulfingen GmbH · Headquarters Mulfingen

County court Stuttgart · HRB 590142

## Nominal data

Type	R4D630-AQ15-01		
Motor	M4D138-LA		
Phase		3~	3~
Nominal voltage	VAC	230	400
Connection		Δ	Y
Frequency	Hz	50	50
Type of data definition		ml	ml
Valid for approval / standard		-	-
Speed	min <sup>-1</sup>	1300	1300
Power input	W	4250	4250
Current draw	A	13.1	7.55
Min. back pressure	Pa	0	0
Min. ambient temperature	°C	-40	-40
Max. ambient temperature	°C	60	60
Starting current	A		27

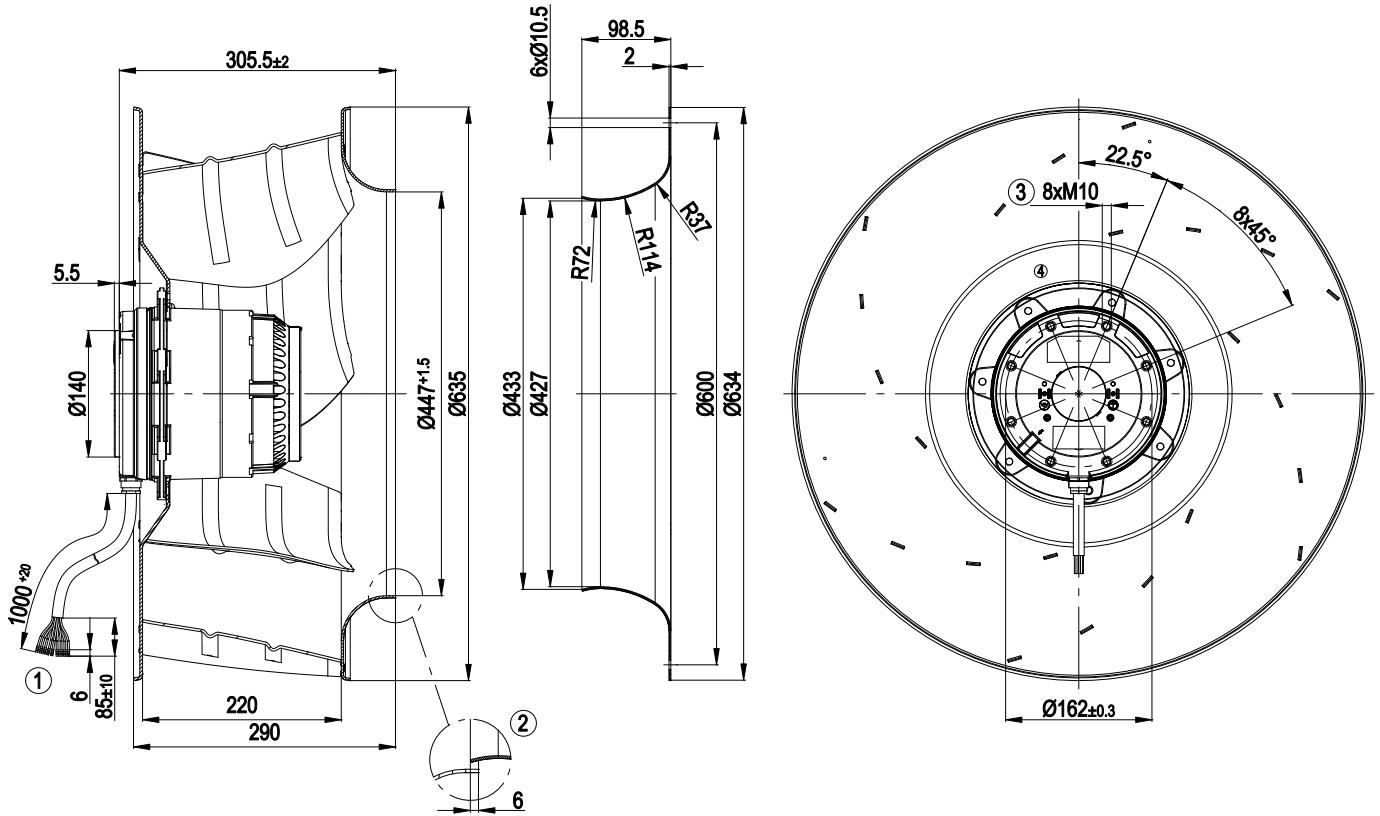
ml = Max. load · me = Max. efficiency · fa = Running at free air · cs = Customer specs · cu = Customer unit  
Subject to alterations



### Technical features

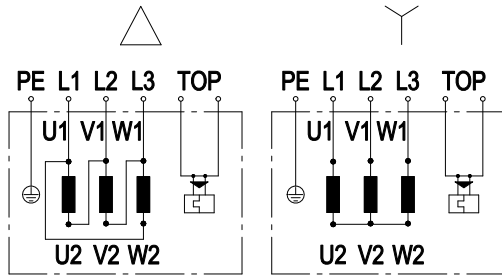
Mass	27.8 kg
Size	630 mm
Surface of rotor	Cast in aluminium
Material of impeller	Aluminium sheet
Number of blades	6
Direction of rotation	Clockwise, seen on rotor
Type of protection	IP 20
Insulation class	"F"
Humidity class	F0
Max. permissible ambient motor temp. (transp./ storage)	+ 80 °C
Min. permissible ambient motor temp. (transp./storage)	- 40 °C
Mounting position	Any
Cooling bore / aperture	On rotor and stator sides
Operation mode	S1
Motor bearing	Ball bearing
Touch current acc. IEC 60990 (measuring network Fig. 4, TN system)	<= 3.5 mA
Motor protection	Thermal overload protector (TOP) brought out
Cable exit	Lateral
Protection class	I (if protective earth is connected by customer)
Product conforming to standard	EN 61800-5-1; EN 60034
Approval	GOST; VDE

Product drawing



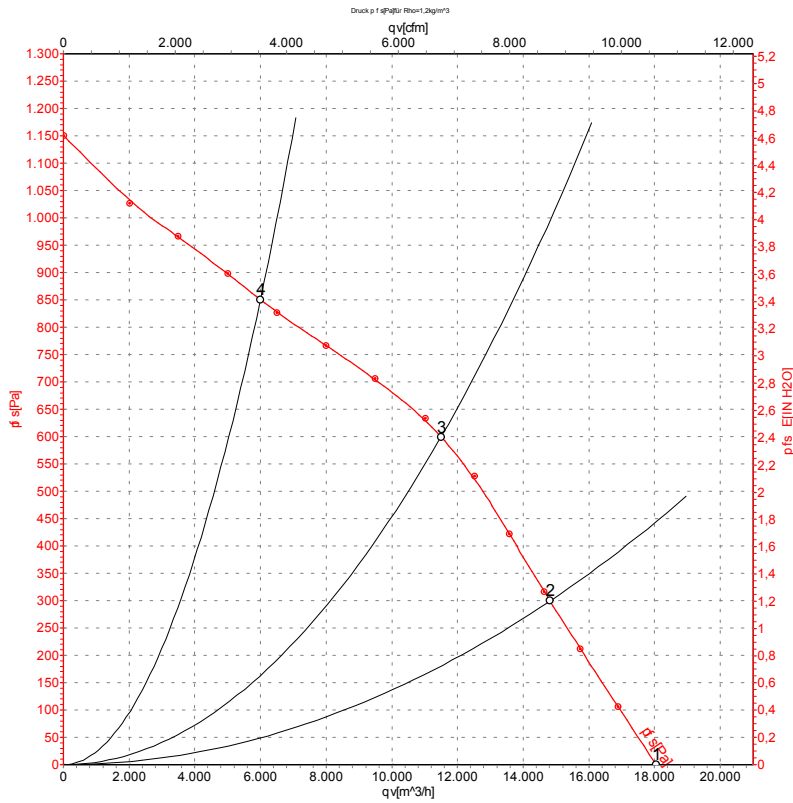
1	Connection line halogen-free, 9 x 0.75 mm <sup>2</sup> , 9 x brass lead tips crimped
2	Accessory part: Inlet nozzle 63070-2-4013, not included in the standard scope of delivery
3	Depth of screw max. 18 mm

## Connection screen



Δ	Delta connection	Y	Star connection	L1	black
L2	blue	L3	brown	U1	black
V1	blue	W1	brown	U2	green
V2	white	W2	yellow	TOP	2xgrey
PE	green/yellow				

## Charts: Air flow 50 Hz



Measurement: LU-100921

Air performance measured as per ISO 5801 Installation category A. For detailed information on the measuring set-up, please contact ebm-papst. Suction-side noise levels: LwA measured as per ISO 13347 / LpA measured with 1m distance to fan axis. The values given are valid under the measuring conditions mentioned above and may vary according to the actual installation situation. With any deviation from the standard set-up, the specific values have to be checked and reviewed with the unit installed.

## Measured values

	Conn.	U	f	n	P <sub>e</sub>	I	LpA <sub>in</sub>	LwA <sub>in</sub>	qv	p <sub>fs</sub>
		V	Hz	min <sup>-1</sup>	W	A	dB(A)	dB(A)	m <sup>3</sup> /h	Pa
1	Y	400	50	1365	3265	6.20	82	89	18040	0
2	Y	400	50	1330	3815	6.93	77	85	14820	300
3	Y	400	50	1300	4250	7.55	74	82	11500	600
4	Y	400	50	1330	3687	6.67	77	85	5995	850

Conn. = Connection · U = Supply voltage · f = Frequency · n = Speed · P<sub>e</sub> = Power input · I = Current draw · LpA<sub>in</sub> = Sound pressure level inlet side · LwA<sub>in</sub> = Sound power level inlet side  
 qv = Air flow · p<sub>fs</sub> = Pressure increase

