

R4E310-AP11-09

AC centrifugal fan

backward curved, single inlet



Nominal data

Type	R4E310-AP11-09		
Motor	M4E068-EC		
Phase		1~	1~
Nominal voltage	[V]	230	230
Frequency	[Hz]	50	60
Type of data definition		rfa	rfa
Valid for approval / standard		CE	CE
Speed	[min ⁻¹]	1390	1580
Power input	[W]	115	160
Current draw	[A]	0.52	0.70
Motor capacitor	[μF]	4	4
Capacitor voltage	[VDB]	400	400
Capacitor standard		P0 (CE)	P0 (CE)
Min. back pressure	[Pa]	0	0
Max. ambient temperature	[°C]	55	55

ml = max. load · me = max. efficiency · rfa = running at free air · cs = customer specs · cu = customer unit
Subject to alterations

AC centrifugal fan

backward curved, single inlet

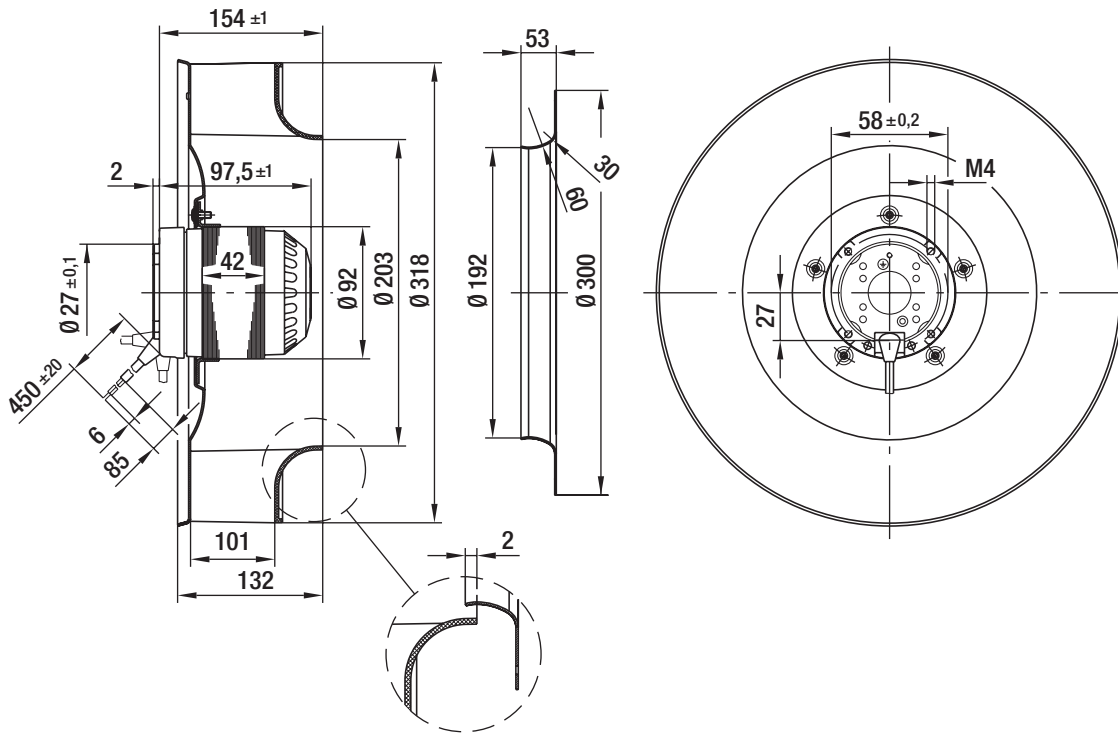
Technical features

Leakage current	< 0,75 mA
Size	310 mm
Operation mode	Continuous operation (S1)
Direction of rotation	Clockwise, seen on rotor
Humidity class	F1-2
Insulation class	"B"
Cable exit	Axial
Bearing motor	Ball bearing
Mass	3.8 kg
Material of electronics housing	Rotor: Coated in black
Material of impeller	PA plastic 6.6
Motor protection	Thermal overload protector (TOP) wired internally
Product conforming to standard	CE
Number of blades	6
Type of protection	IP 44
Protection class	I
Approval	CCC

AC centrifugal fan

backward curved, single inlet

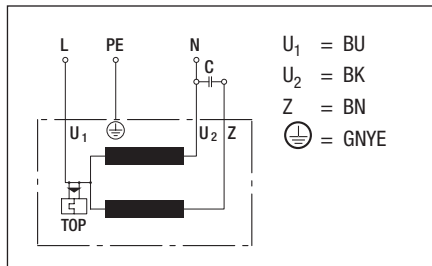
Product drawing



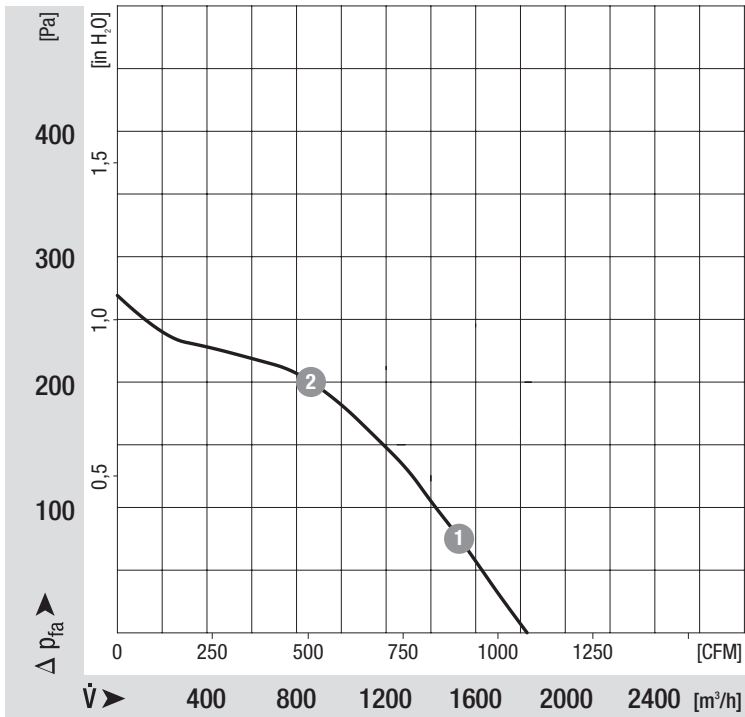
AC centrifugal fan

backward curved, single inlet

Connection screen



Charts: Air flow 50 Hz



Measured values

	n	P ₁	I
	[min ⁻¹]	[W]	[A]
1	1380	118	0.56
2	1360	127	0.60

Charts: Air flow 60 Hz

