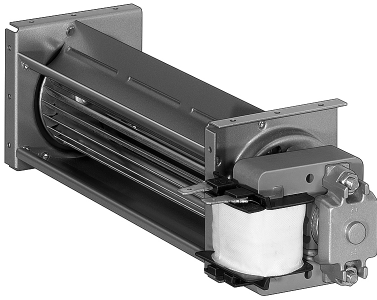


QLN65/0018-2524

# AC tangential blower

forward-curved



## ebm-papst Landshut GmbH

Hofmark-Aich-Straße 25

D-84030 Landshut

Phone +49 (0) 871 707-0

Fax +49 (0) 871 707-465

info3@de.ebmpapst.com

www.ebmpapst.com

## Nominal data

Type	QLN65/0018-2524	
Phase		1~
Nominal voltage	VAC	230
Frequency	Hz	50
Speed (rpm)	min <sup>-1</sup>	1200
Power consumption	W	24
Min. ambient temperature	°C	-40
Max. ambient temperature	°C	60
Air flow	m <sup>3</sup> /h	140
Pressure increase	Pa	60

ml = Max. load · me = Max. efficiency · fa = Free air · cs = Customer specification · ce = Customer equipment  
Subject to change



QLN65/0018-2524

# AC tangential blower

forward-curved

## Technical description

Weight

1.20 kg



## Product drawing

