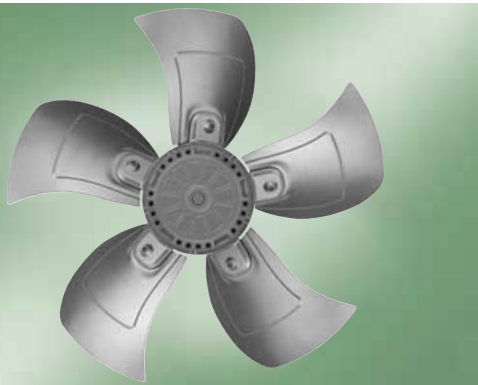


AC axial fans

S series, Ø 450



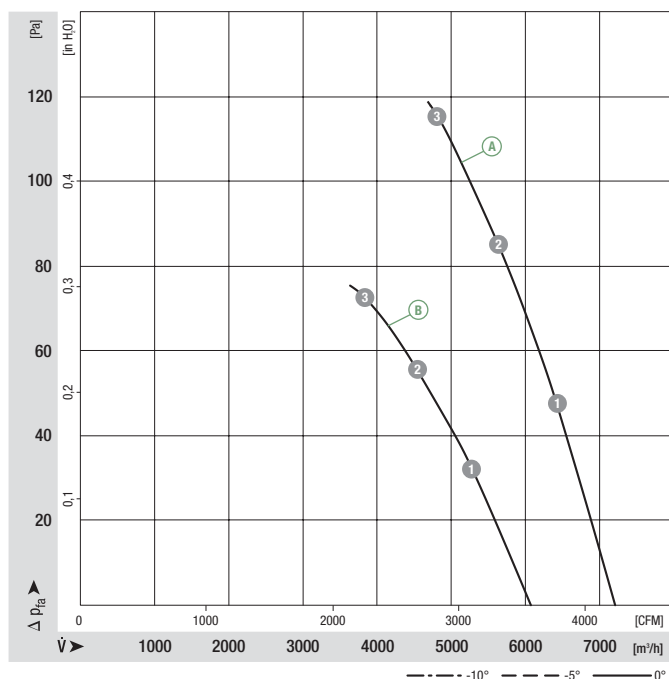
- **Material:** Guard grille: Steel, phosphated and coated in black plastic
Wall ring: Sheet steel, pre-galvanised and coated in black plastic
Blades: Sheet aluminium
Rotor: Encased in aluminium
- **Number of blades:** 5
- **Direction of rotation:** Counter-clockwise, seen on rotor
- **Type of protection:** IP 54 (acc. to EN 60529)
- **Insulation class:** "F"
- **Mounting position:** Any
- **Condensate discharge holes:** On rotor and stator side
- **Mode of operation:** Continuous operation (S1)
- **Bearings:** Maintenance-free ball bearings

| Nominal data | | Blade angle | Curve | Nominal voltage | Frequency | Speed/rpm ⁽¹⁾ | Max. power input ⁽¹⁾ | Max. current draw ⁽¹⁾ | Capacitor | Max. operative range | Perm. amb. temp. | Mass of in-line duct fan | Electr. connection |
|--------------|------------|-------------|-------|-----------------|-----------|--------------------------|---------------------------------|----------------------------------|-----------|----------------------|------------------|--------------------------|--------------------|
| Type | Motor | | | VAC | Hz | rpm | W | A | µF/VDB | Pa | °C | kg | p. 416 f. |
| *4D 450 | M4D 110-EF | 0° | Ⓐ | 3~ 400 Δ | 50 | 1350 | 490 | 1.00 | — | 115 | -40 to +95 | 14.5 | F1b)/F2b) |
| | | | Ⓑ | 3~ 400 Y | 50 | 1075 | 340 | 0.58 | — | 75 | -40 to +95 | | |
| *4E 450 | M4E 110-EF | 0° | Ⓒ | 1~ 230 | 50 | 1330 | 500 | 2.20 | 10.0/400 | 100 | -40 to +80 | 14.5 | A2b) |

subject to alterations

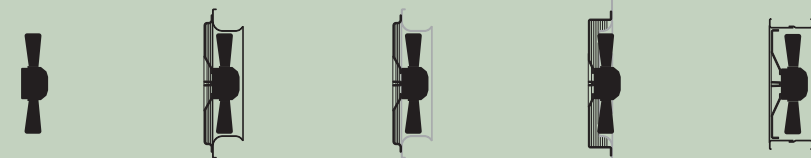
(1) Nominal data in operating point with maximum load

Curves

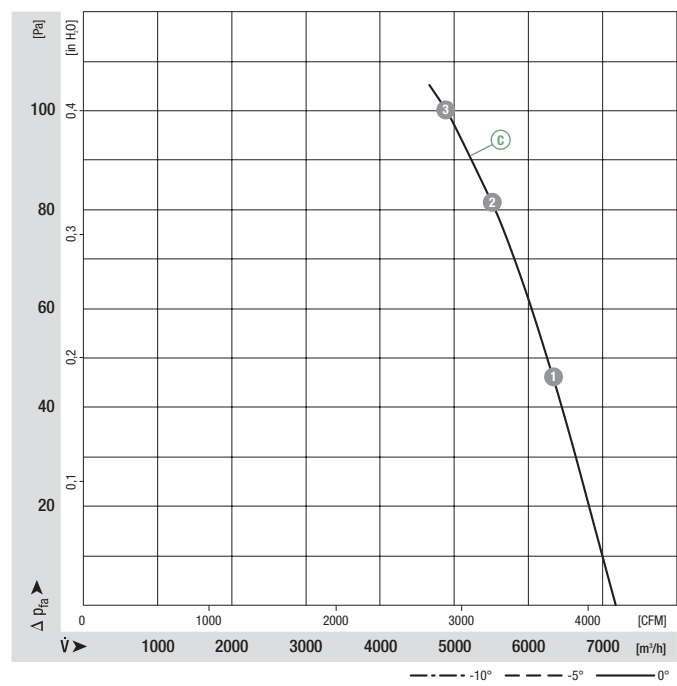


| | n [rpm] | P ₁ [W] | I [A] | Lw _A [dB(A)] |
|-----|---------|--------------------|-------|-------------------------|
| Ⓐ 1 | 1370 | 450 | 0.97 | 76 |
| Ⓐ 2 | 1360 | 470 | 0.99 | 77 |
| Ⓐ 3 | 1350 | 490 | 1.00 | 79 |
| Ⓑ 1 | 1120 | 320 | 0.56 | 71 |
| Ⓑ 2 | 1090 | 330 | 0.57 | 73 |
| Ⓑ 3 | 1075 | 340 | 0.58 | 75 |

- **Motor protection:** Design with thermal overload protector
- **Cable exit:** Via terminal box
- **Protection class:** I (acc. to EN 61800-5-1)
- **Product conforming to standard:** CE
- **Approvals:** VDE (acc. to EN 60034)

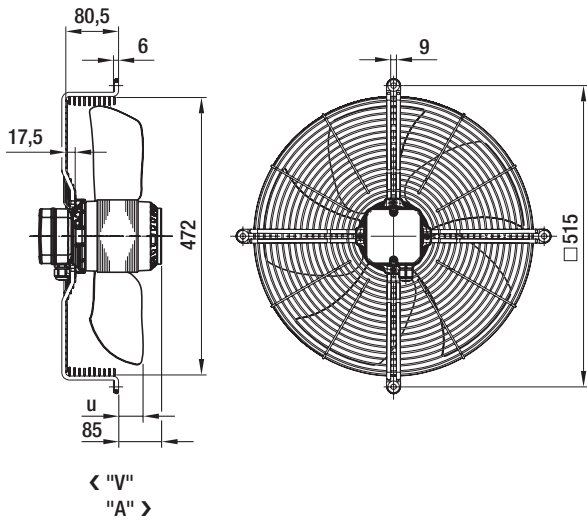
| Direction of air flow |  | | | | |
|-----------------------|--|------------------------|-----------------------------------|------------------------------------|-----------------------|
| | Without attachments | With full round nozzle | With guard grille for full nozzle | With guard grille for short nozzle | In-line duct fan |
| "V" "A" | — | — | — | — | W4D 450-IG01 -01 — |
| "V" "A" | — | — | — | — | W4E 450-IG01 -01 — |

Curves





With guard grille for short nozzle

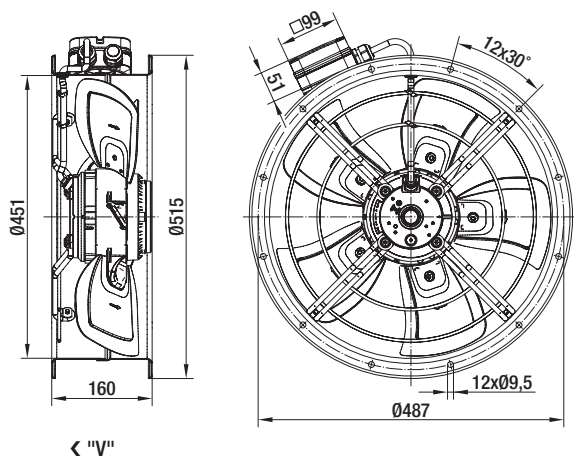


Type

| Type | | u |
|------------------|-----|------|
| S4D 450-GA14 -01 | "V" | 64.0 |
| S4D 450-GA14 -02 | "A" | 65.7 |
| S4E 450-GA09 -01 | "V" | 64.0 |
| S4E 450-GA09 -02 | "A" | 65.7 |



In-line duct fan



Type

| | |
|------------------|-----|
| W4D 450-IG01 -01 | "V" |
| W4E 450-IG01 -01 | "V" |