

R3G560-AG07-03

EC centrifugal fan

backward curved, single inlet



ebm-papst Mulfingen GmbH & Co. KG

Bachmühle 2

74673 Mulfingen

Phone: +49 7938 81-0

Fax: +49 7938 81-110

www.ebmpapst.com

info1@de.ebmpapst.com

Nominal data

Type	R3G560-AG07-03	
Motor	M3G150-FF	
Phase		3~
Nominal voltage	[VAC]	400
Nominal voltage range	[VAC]	380 .. 480
Frequency	[Hz]	50/60
Type of data definition		ml
Speed	[min ⁻¹]	1350
Power input	[W]	2300
Current draw	[A]	3.6
Min. ambient temperature	[°C]	-25
Max. ambient temperature	[°C]	60

ml = max. load · me = max. efficiency · rfa = running at free air · cs = customer specs · cu = customer unit
Subject to alterations

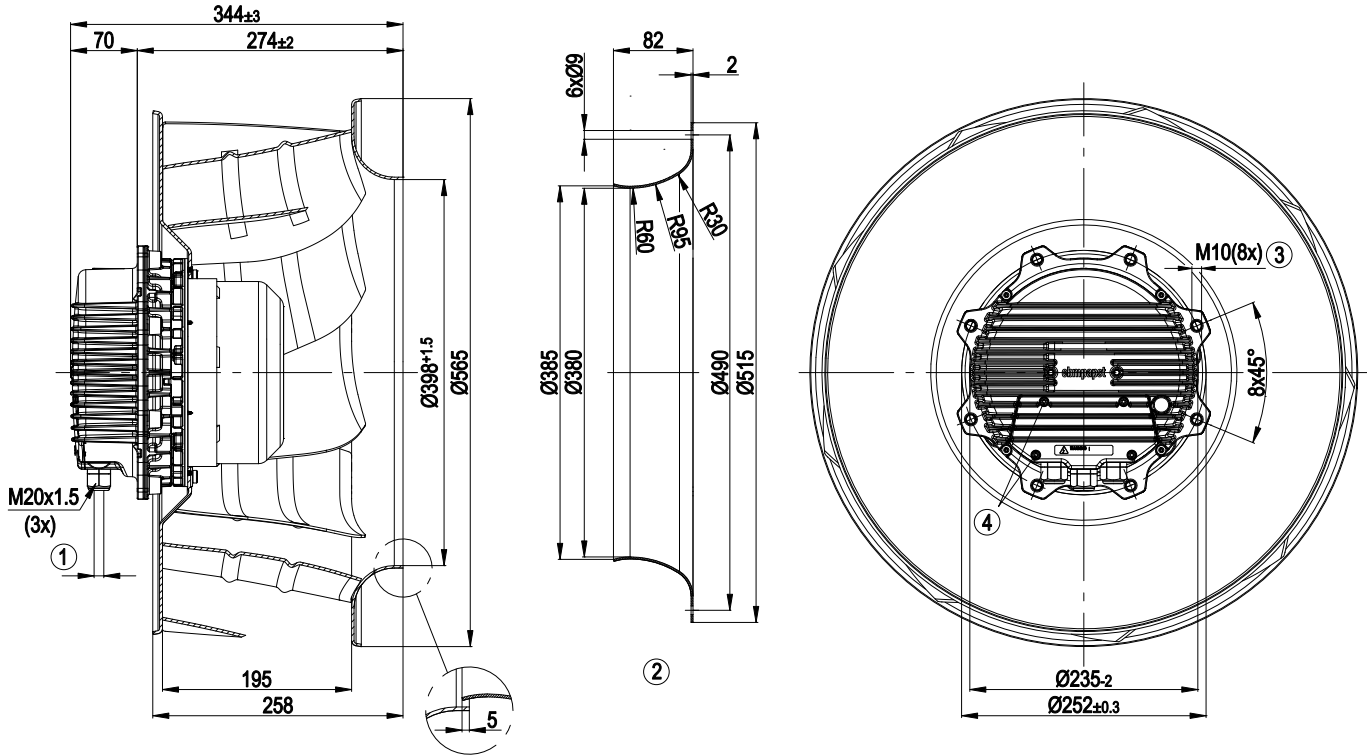
Technical features

Leakage current	<= 3,5 mA
Size	560 mm
Operation mode	S1
Direction of rotation	Clockwise, seen on rotor
Mounting position	Shaft horizontal or rotor on bottom; rotor on top on request
Electrical leads	Via terminal box
EMC interference emission	Acc. to EN 61000-6-3 (household environment)
EMC interference immunity	Acc. to EN 61000-6-2 (industrial environment)
Humidity class	F4-1
Insulation class	"F"
Condensate discharge holes	Rotor-side
Bearing motor	Ball bearing
Mass	23.5 kg
Material of electronics housing	Die-cast aluminum
Material of impeller	Aluminium sheet
Motor protection	Reverse polarity and locked-rotor protection
Product conforming to standard	CE; EN 61800-5-1
Surface of rotor	Coated in black
Number of blades	9
Type of protection	IP 54
Protection class	I
Technical features	<ul style="list-style-type: none"> - PFC, passive - Control input 0-10 VDC / PWM - Over-temperature protected electronics / motor - Alarm relay - Integrated PID controller - Input for sensor 0-10 V or 4-20 mA - Output for slave 0-10 V - RS485 ebmBUS - Motor current limit - Soft start - Line undervoltage / phase failure detection - Output 10 VDC, max. 10 mA - Output 20 VDC, max. 50 mA
Max. permissible ambient motor temp. (transp./ storage)	+80 °C
Min. permissible ambient motor temp. (transp./storage)	-40 °C
Approval	CSA C22.2 Nr.77; GOST; UL 2111; VDE

EC centrifugal fan

backward curved, single inlet

Product drawing

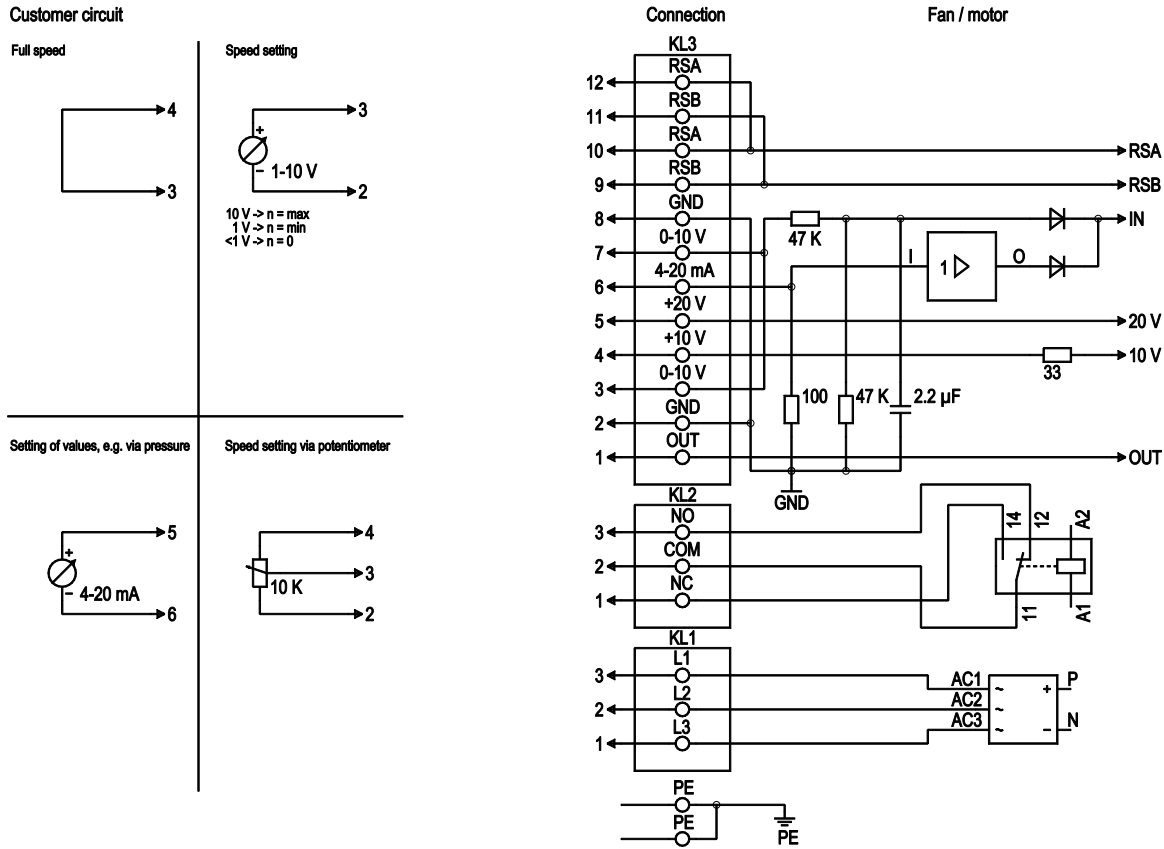


1	Cable diameter: min. 4 mm, max. 10 mm; tightening torque: 4±0.6 Nm
3	Accessory part: Inlet nozzle 63071-2-4013 not included in delivery, other inlet nozzles on request
3	Depth of screw max. 25 mm
4	Tightening torque, terminal box cover 3.5±0.5 Nm

EC centrifugal fan

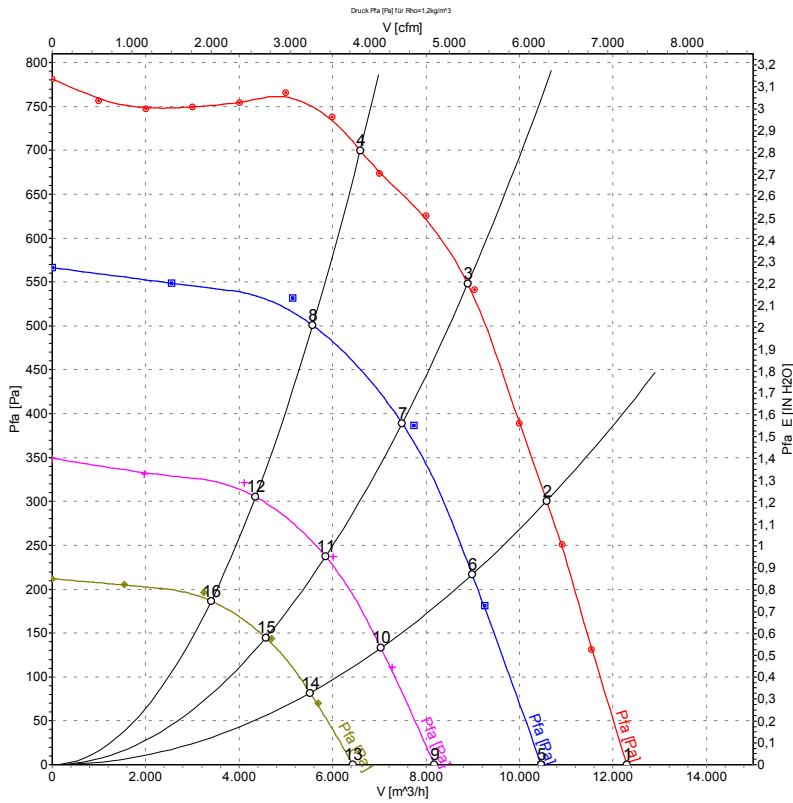
backward curved, single inlet

Connection screen



No.	Pin	Signal	Function / assignment
PE		PE	Protective earth connection
KL1	1, 2, 3	L1, L2, L3	Supply voltage, 50/60 Hz
KL2	1	NC	Floating status message contact, normally closed connection
KL2	2	COM	Floating status message contact, changeover contact, common connection (2 A, max. 250 VAC, min. 10 mA, AC1)
KL2	3	NO	Floating status message contact, normally open connection
KL3	1	OUT	Analog output, 0-10 VDC, max. 3 mA, SELV, output of the current level control coefficient: 1 V equates to 10 % level control coefficient. 10 V equate to 100 % level control coefficient.
KL3	2, 8	GND	Reference mass for control interface, SELV
KL3	3, 7	0-10 V	Use control / actual value input 0-10 VDC, impedance 100 kΩ only as alternative to 4-20 mA input, SELV
KL3	4	+10 V	Voltage output 10 VDC (+/-3 %), max. 10 mA, supply voltage for ext. devices (e.g. potentiometers), SELV
KL3	5	+20 V	Voltage output 20 VDC (+25 %/-10 %), max. 50 mA, supply voltage for ext. devices (e.g. sensors), SELV
KL3	6	4-20 mA	Use control / actual value input 4-20 mA, impedance 100 Ω, only as alternative to 0-10 V input, SELV
KL3	9, 11	RSB	RS485 interface for ebmBus, RSB, SELV
KL3	10, 12	RSA	RS485 interface for ebmBus, RSA, SELV

Charts: Air flow 50 Hz



Measurement: LU-108580
 Measurement: LU-111962
 Measurement: LU-111961
 Measurement: LU-111960

Measured values

	U	f	n	P ₁	I	LpA _{ss}	LpA _{ds}	LwA _{ss}	LwA _{ds}	\hat{V}	p _{fa}
	[V]	[Hz]	[min ⁻¹]	[W]	[A]	[dB(A)]	[dB(A)]	[dB(A)]	[dB(A)]	[m ³ /h]	[Pa]
1	400	50	1350	1429	2.18	76	75	83	90	12300	0
2	400	50	1350	1983	3.03	74	72	81	88	10580	300
3	400	50	1350	2300	3.60	73	71	80	86	8890	550
4	400	50	1350	2225	3.39	73	71	80	86	6590	700
5	400	50	1150	842	1.32	72	70	79	85	10470	0
6	400	50	1150	1141	1.77	70	68	76	83	8985	218
7	400	50	1150	1320	2.03	68	67	75	81	7490	401
8	400	50	1150	1246	1.92	69	67	75	81	5575	508
9	400	50	900	420	0.74	65	63	72	78	8180	0
10	400	50	900	555	0.92	64	61	71	76	7035	134
11	400	50	900	642	1.04	63	61	70	75	5850	244
12	400	50	900	606	0.99	62	61	69	75	4350	311
13	400	50	700	213	0.43	60	57	68	73	6435	0
14	400	50	700	269	0.52	59	57	67	72	5520	83
15	400	50	700	304	0.58	58	56	67	73	4570	148
16	400	50	700	288	0.55	55	55	63	69	3400	190