

R3G310-AJ40-71

# EC centrifugal fan

backward curved, single inlet



**ebm-papst Mulfingen GmbH & Co. KG**

Bachmühle 2

D-74673 Mulfingen

Phone +49 7938 81-0

Fax +49 7938 81-110

info1@de.ebmpapst.com

www.ebmpapst.com

## Nominal data

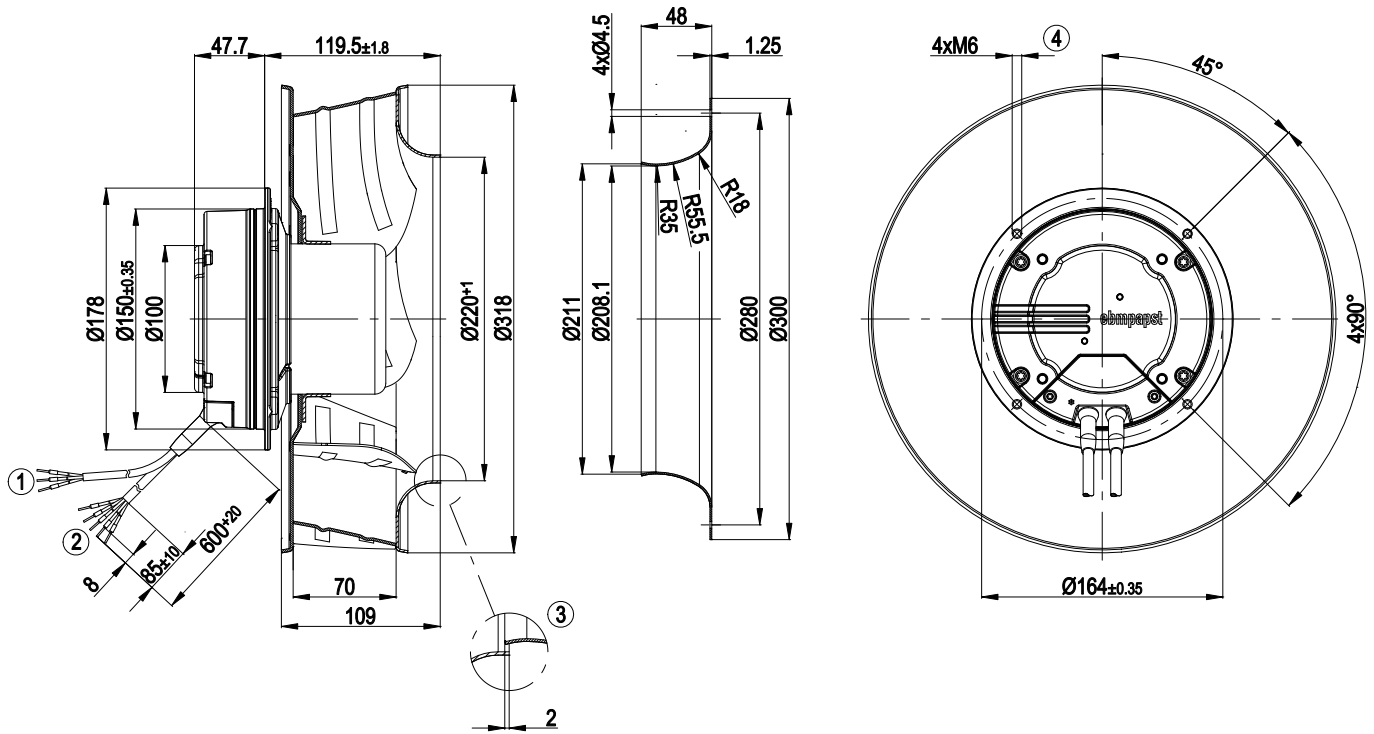
Type	R3G310-AJ40-71	
Motor	M3G084-DF	
Phase		1~
Nominal voltage	VAC	230
Nominal voltage range	VAC	200 .. 277
Frequency	Hz	50/60
Type of data definition		ml
Speed	min <sup>-1</sup>	2430
Power input	W	485
Current draw	A	2.9
Min. ambient temperature	°C	-25
Max. ambient temperature	°C	35

ml = max. load · me = max. efficiency · rfa = running at free air · cs = customer specs · cu = customer unit  
Subject to alterations

## Technical features

Leakage current	<= 3.5 mA
Size	310 mm
Operation mode	S1
Direction of rotation	Clockwise, seen on rotor
Mounting position	Shaft horizontal or rotor on top; rotor on bottom on request
EMC harmonics	Acc. to EN 61000-3-2/3
EMC interference emission	Acc. to EN 61000-6-3 (household environment)
EMC interference immunity	Acc. to EN 61000-6-2 (industrial environment)
Insulation class	"B"
Cable exit	Variable
Condensate discharge holes	None
Motor bearing	Ball bearing
Mass	4.56 kg
Material of electronics housing	Die-cast aluminium
Material of impeller	Aluminium sheet
Motor protection	Thermal overload protector (TOP) wired internally
Product conforming to standard	EN 61800-5-1
Surface of rotor	Coated in black
Number of blades	6
Type of protection	IP 44
Protection class	I
Technical features	<ul style="list-style-type: none"> <li>- Output 10 VDC, max. 1.1 mA</li> <li>- Alarm relay</li> <li>- Motor current limit</li> <li>- Soft start</li> <li>- Control input 0-10 VDC / PWM</li> <li>- Over-temperature protected electronics / motor</li> <li>- Line undervoltage detection</li> </ul>
Max. permissible ambient motor temp. (transp./ storage)	+80 °C
Min. permissible ambient motor temp. (transp./storage)	-40 °C
Approval	CCC; CSA C22.2 Nr.77; UL 2111

Product drawing



1	Connection line AWG22, 3 x crimped core-end sleeves
2	Connection line AWG18, 5 x crimped core-end sleeves
3	Accessory part: inlet nozzle 31050-2-4013 not included in the standard scope of delivery; other inlet nozzles on request
4	Depth of screw 8 - 10 mm

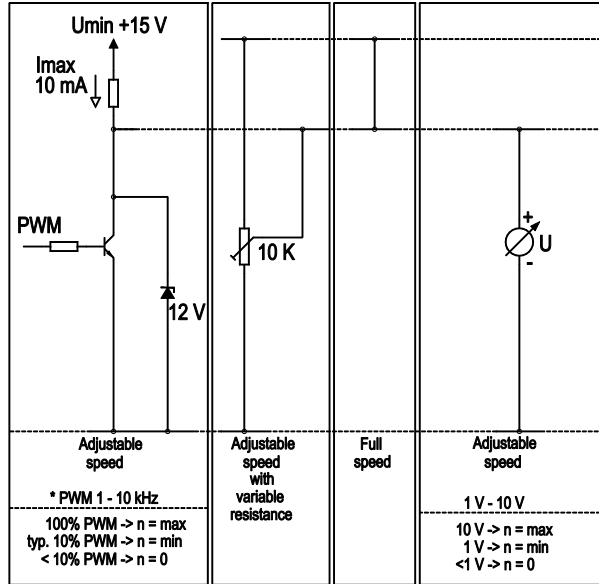
# EC centrifugal fan

backward curved, single inlet

## Connection screen

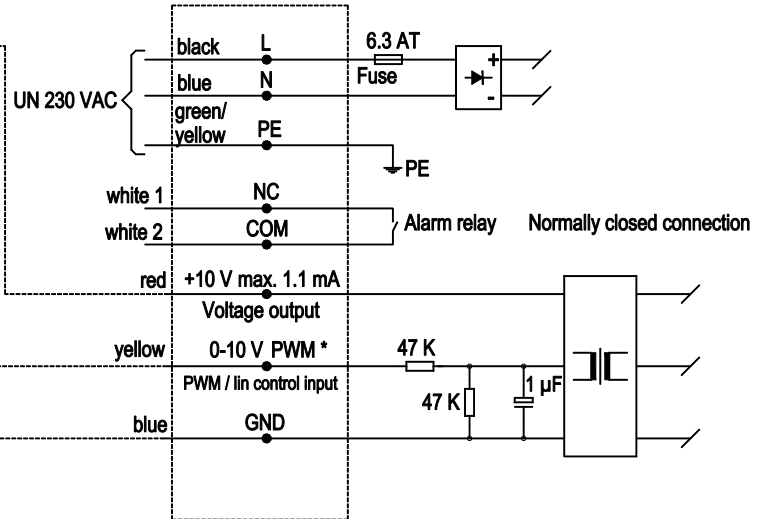
### Customer circuit

Notes on various control possibilities and their applications

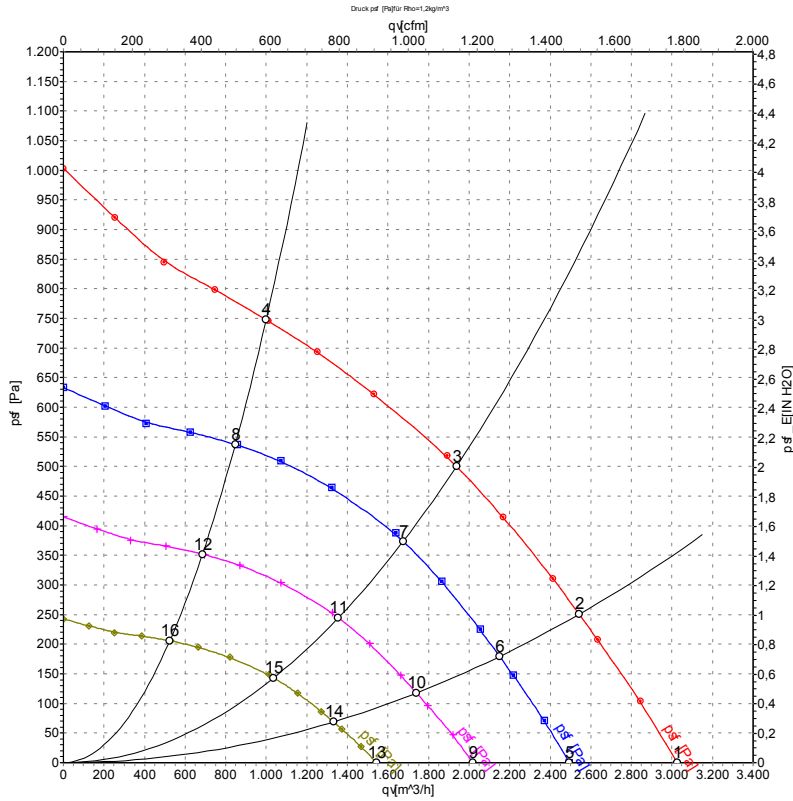


### Connection

### Fan / motor



## Charts: Air flow 50 Hz



Measurement: LU-65567

Air performance measured as per ISO 5801 Installation Category A. For detailed information on the measuring set-up, please contact ebm-papst. Suction-side noise levels: LwA measured as per ISO 13347 / LpA measured with 1m distance to fan axis. The values given are valid under the measuring conditions mentioned above and may vary according to the actual installation situation. With any deviation from the standard set-up, the specific values have to be checked and reviewed with the unit installed.

## Measured values

	U	f	n	P <sub>e</sub>	I	qv	P <sub>sf</sub>
	V	Hz	min <sup>-1</sup>	W	A	m <sup>3</sup> /h	Pa
1	230	50	2550	357	2.17	3030	0
2	230	50	2485	434	2.62	2545	250
3	230	50	2430	485	2.90	1940	500
4	230	50	2475	450	2.72	1000	750
5	230	50	2100	200	1.21	2495	0
6	230	50	2100	262	1.59	2150	179
7	230	50	2100	308	1.87	1675	375
8	230	50	2100	274	1.66	845	538
9	230	50	1700	106	0.64	2020	0
10	230	50	1700	139	0.84	1740	118
11	230	50	1700	164	0.99	1355	246
12	230	50	1700	146	0.88	685	352
13	230	50	1300	47	0.29	1545	0
14	230	50	1300	62	0.38	1330	69
15	230	50	1300	73	0.44	1035	144
16	230	50	1300	65	0.39	525	206