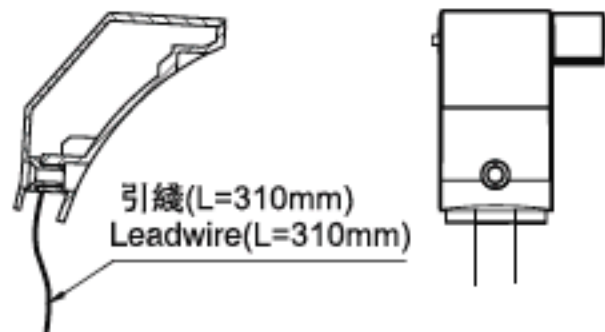
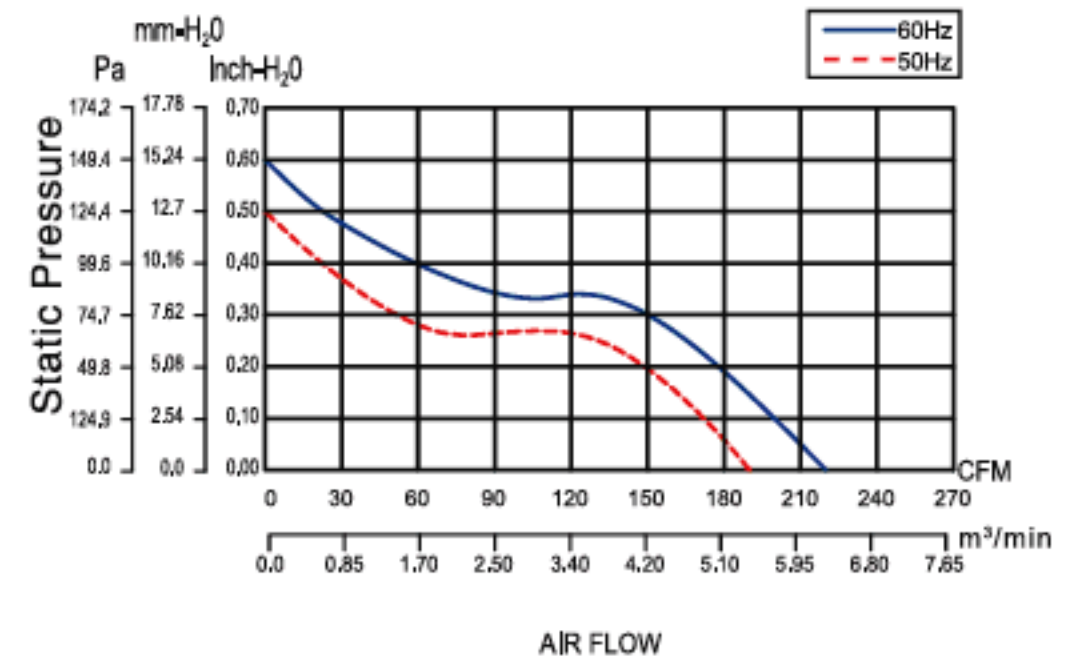
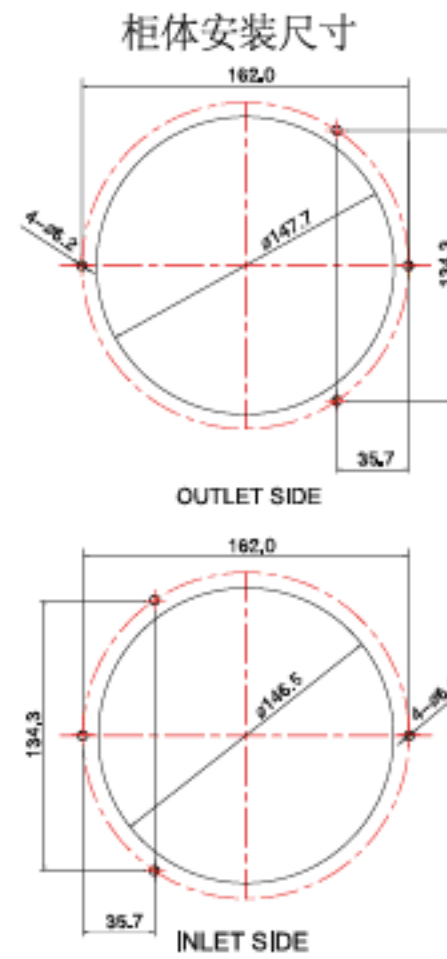
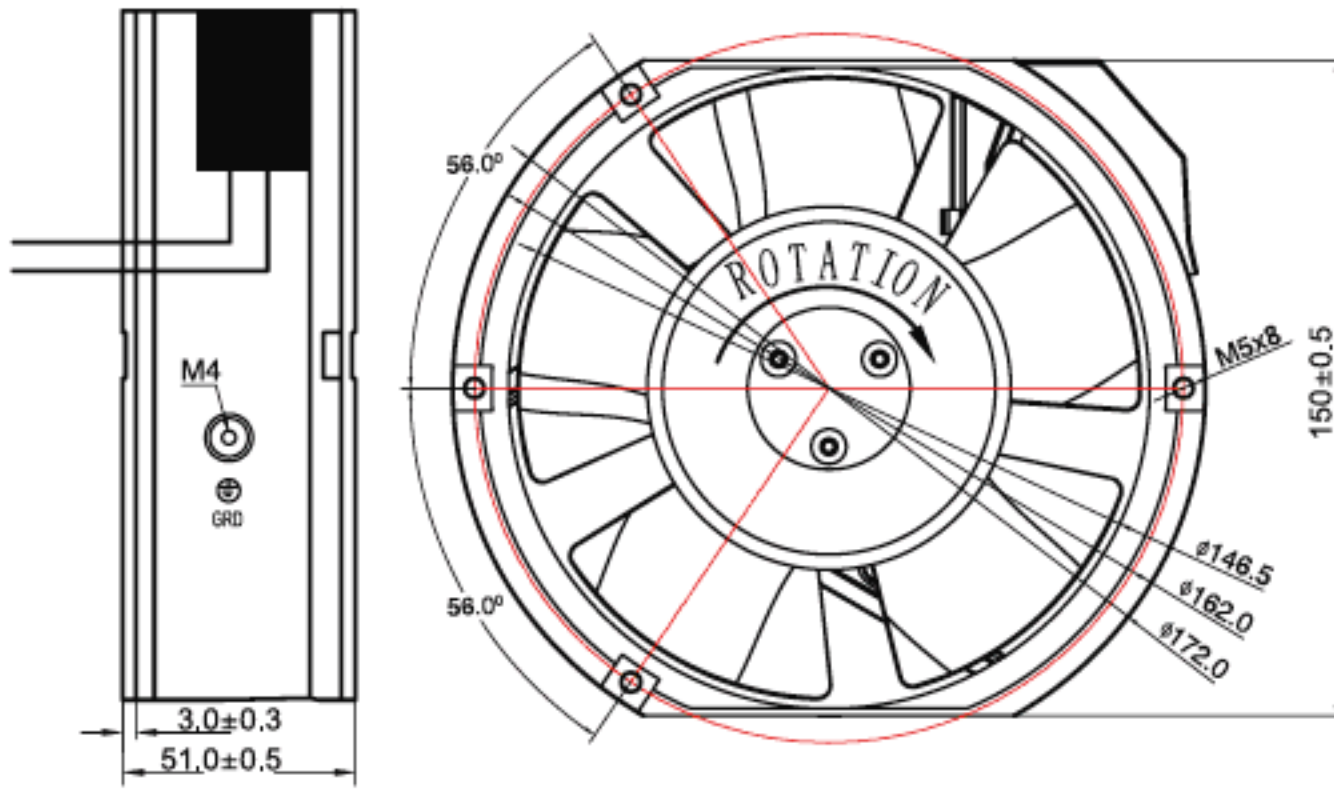


172×150×51mm(H.T.R.)



UNITS=mm



環境溫度100℃專用



H.T.R.100°C(SGS Approval)
(F Class Enamelled Wire Inside)
Test Report No.:SHRL80027-2/2008



Model (型號)	Part No. Terminal Leadwire	Bearing System (培林)	Rated Voltage(v) (電壓)	Freq (Hz) (頻率)	Current (A) (電流)	Input Power(w) (功率)	Speed (rpm) (轉速)	Air Flow (CFM) (風量)	Static Pressure (inch-H ₂ O) (靜壓)	Noise Leve(dB-A) (噪音值)	Weight (g) (重量)
KA1725HA1/H.T.R.100(IP55)	1725HA1BML	Ball	110/120	50/60	0.43/0.36	33/31	2700/3100	190/220	0.50/0.60	60/62	805
KA1725HA2/H.T.R.100(IP55)	1725HA2BML	Ball	220/240	50/60	0.18/0.15	32/30	2700/3100	190/220	0.50/0.60	60/62	805
KA1725HA3/H.T.R.100(IP55)	1725HA3BML	Ball	380/400	50/60	0.09/0.11	33/31	2700/3100	190/220	0.50/0.60	60/62	805

最新數據訊息，請予網上查詢！ Please check our website in case any update data.
注：其他轉速可特殊定制。

AC COOLING FAN SERIES
軸流風機系列

對傳統風機從選材到性能等各方面作了合理化的改良，
研製成功的新一代風機具有：設計新穎，耐用高效，
環保節能，使用壽命長之優點。品種齊全，通過TUV，
UL，CE國際認證。

Capable research staff, import advanced facilities and
make revolutionary improvement on the basis of
traditional cooling fans. Our fans are with excellent
design, nice appearance, durable, energy saving,
environmental protective and long life span. The fans
carry the following international approvals: UL,TUV,
and carry all the European CE mark.

Globally Exclusive Magnesium Alloy Fan Frame
全球唯一鎂合金外框

B type
1. Filtered voltage available
2. Long power reserve with
High air flow
3. Longer service life
4. Adjustable direction of speed
control by temperature
before the sensor

NEW

SEE PER ABOVE
PARTS LIST IN P. 177
(1-014.000)



北京西蒙创立科技有限公司
北京市海淀区紫竹院路1号3号楼1206室
电话:86-10-82670138 传真:86-10-82670139
网址: <http://www.faneol.net>
邮箱: faneol2008@188.com