

---

# Specification

## Fan type :

**W2E200-HK38-C01**

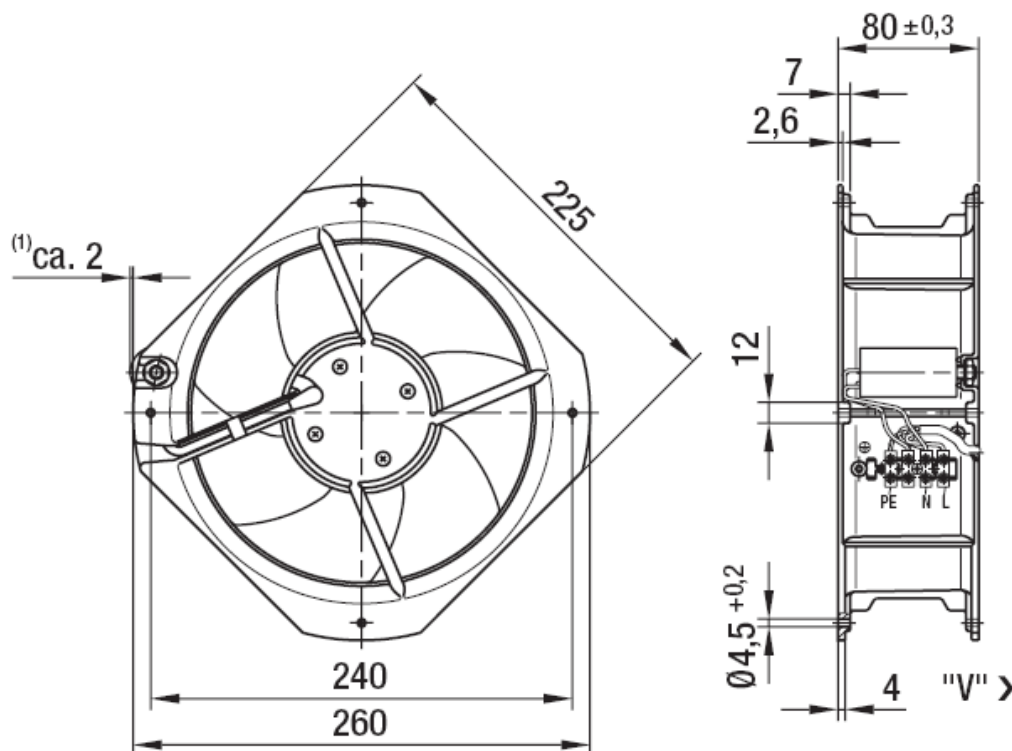
## Norminal data :

- **Voltage** : 1~ 230 V
- **Frequency** : 50 / 60 Hz
- **Current draw** : 0.29/0.35 A
- **Power input** : 64/80W
- **Air flow** : 925/1030 m<sup>3</sup>/h
- **Speed** : 2500/2800 rpm
- **Capacitor** : 1.5 uF
- **Perm.amb temp** : -25 to 60 °C
- **Weight** : 2.0 Kg

## Technical Description

- **Material** :
  - Housing : Die-cast aluminium
  - Blades : Sheet steel , coated in black
- **Number of blades** : 7
- **Direction of rotation**: Counter-clockwise , seen on rotor
- **Electrical connection**: Terminal strip (operating capacitor wired)
- **Insulation class**: "B"
- **Motor protection**: TOP wired internally
- **Mounting position** : Any
- **Bearings**: Ball bearings
- **Direction of flow**: "V", exhaust over braces
- **Operating mode**: S1
- **Protection class** : I
- **Approvals**: CCC , UL , GOST , CE

**Profile drawing**



**Characteristic : pressure over air flow**

W2E200-HK38-C01

