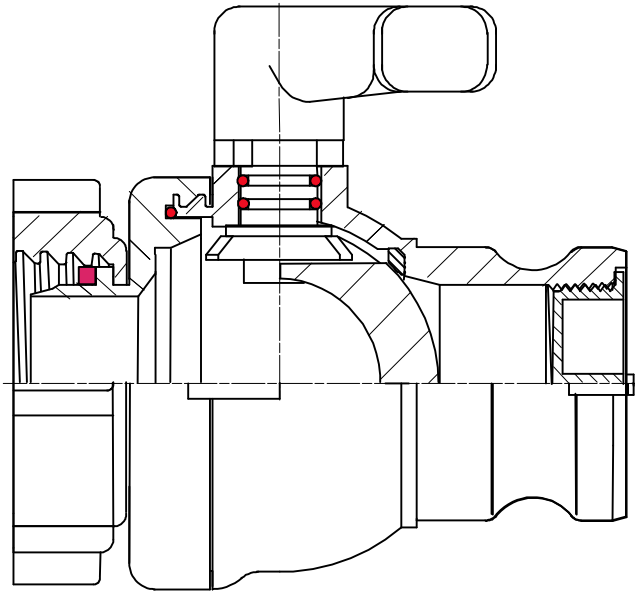


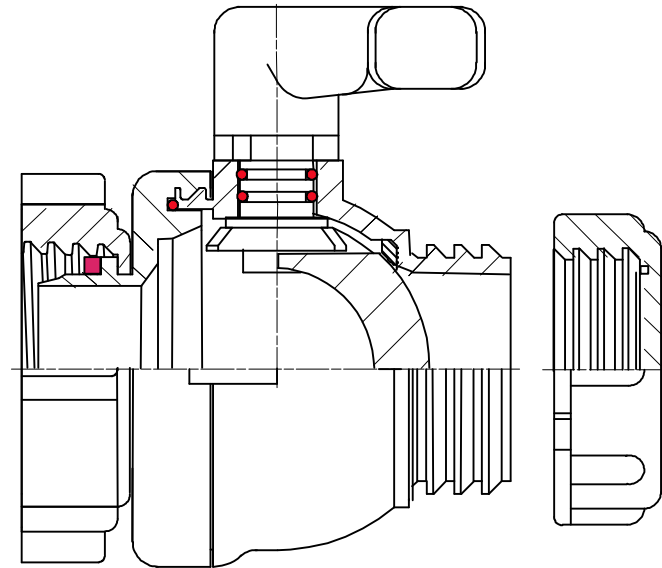
# 2" SYSTEM

IBC 2" VALVES

SHEET 1 OF 6



2" 'DARCIE', IBC valve x Camlock adapter  
Inlet options: S60X6, S75X6, S80X6 female buttress  
3" available



2" 'DARCIE', IBC valve x male thread  
Inlet options: S60X6, S75X6, S80X6 female buttress  
Outlet options: S60X6, 2" NPT male  
3" available



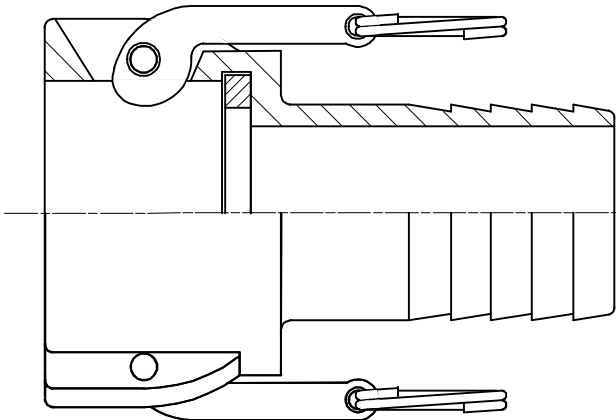
**IBC OFF LOAD ADAPTERS**

We are continuing to expand our range, please contact us if you can not find what you require.

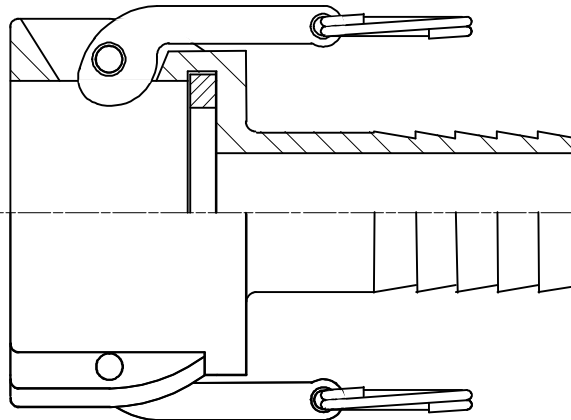
# 2" SYSTEM

CAMLOCK COUPLERS

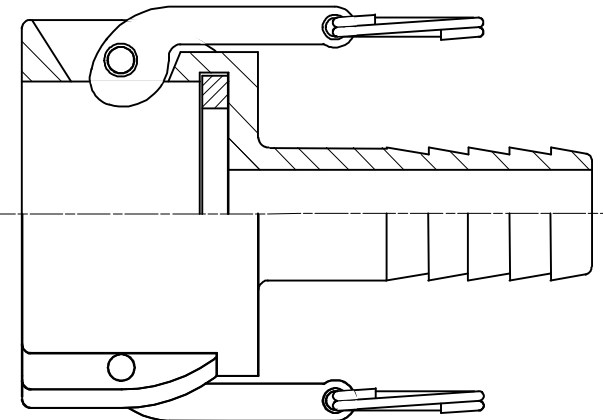
SHEET 2 OF 6



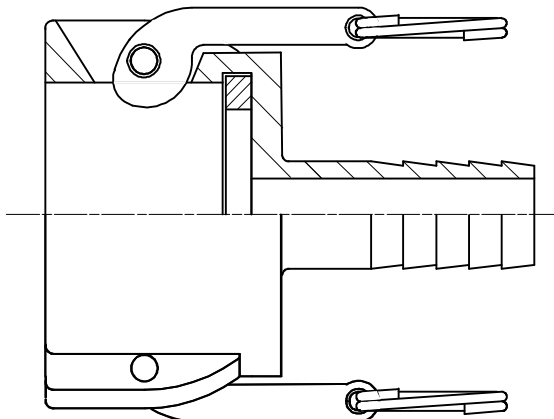
2" cam part 'C' X 2" (50mm) hose tail  
Part No: CFC/20T/027  
Old number: CPP200C



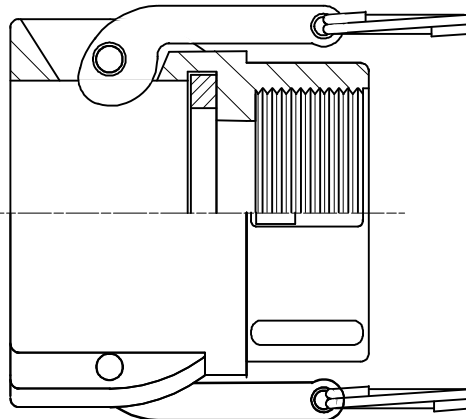
2" cam part 'C' X 1 1/2" (38mm) hose tail  
Part No: CFC/215T/027  
Old number CPP200150C



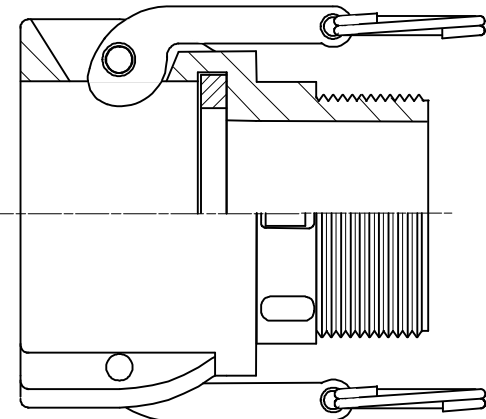
2" cam part 'C' X 1 1/4" (32mm) hose tail  
Part No: CFC/212T/027  
Old number CPP200125C



2" cam part 'C' X 1" (25mm) hose tail  
Part No: CFC/21T/027  
Old number CPP200100C



2" cam part 'D' X 2" NPT female  
Part No: CFD/20N/027  
Old number CPP200D  
BSP available



2" cam part 'B' X 2" NPT male  
Part No: CFB/20N/027  
Old number CPP200B  
BSP available



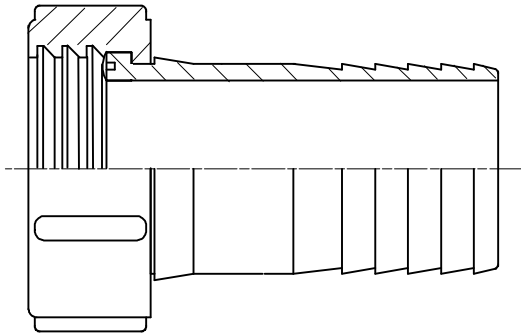
**IBC OFF LOAD ADAPTERS**

We are continuing to expand our range, please contact us if you can not find what you require.

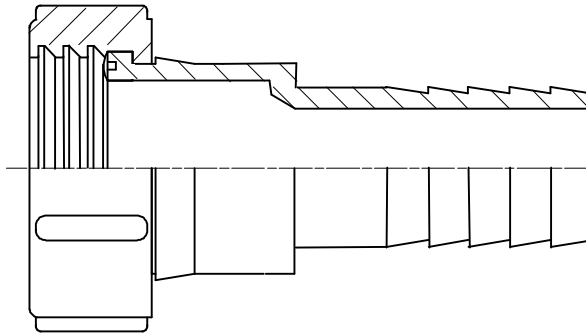
# 2" SYSTEM

BUTTRESS HOSE TAILS, ADPTER, CAPS

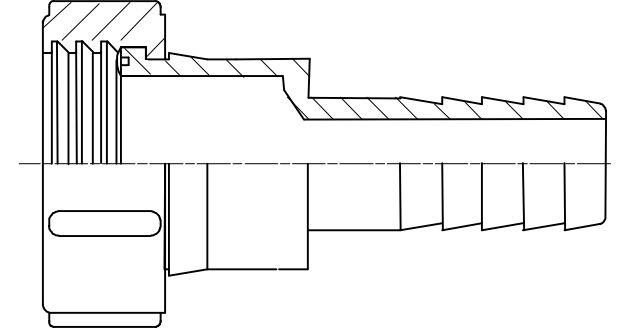
SHEET 3 OF 6



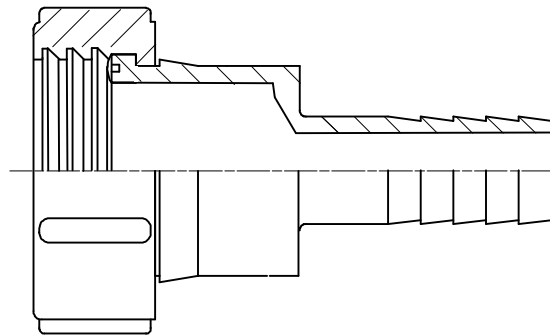
S60X6 female x 2"(50mm) hose tail  
Part No: HFUD/20T/027  
Old number HFBUT60200HB



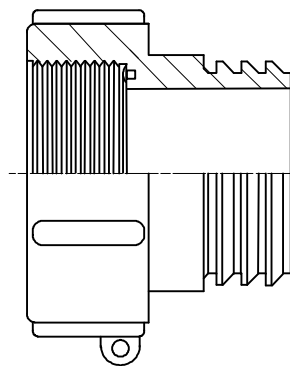
S60X6 female x 1 1/2"(38mm) hose tail  
Part No: HFUD/215T/027  
Old number HFBUT60150HB



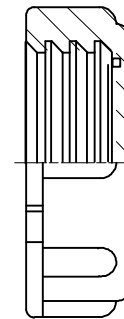
S60X6 female x 1 1/4"(32mm) hose tail  
Part No: HFUD/2212T/027  
Old number: HFBUT601125HB



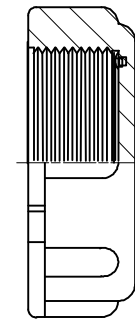
S60X6 female x 1"(25mm) hose tail  
Part No: HFUD/21T/027  
Old number: HFBUT60100HB



2" NPS female x S60X6 male  
Part No: HMFm/20UD/027  
Old number: HMFm200BUT60  
BSP available



S60X6 female x dust cap  
Part No: 2BC/20UD/024  
Old number: 2BC/20UD/1



2" NPS female x dust cap  
Part No: 2BC/20N/024  
Old number: 2BC/20N/024



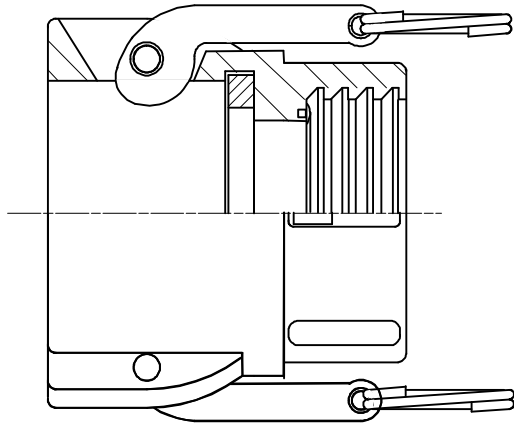
**IBC OFF LOAD ADAPTERS**

We are continuing to expand our range, please contact us if you can not find what you require.

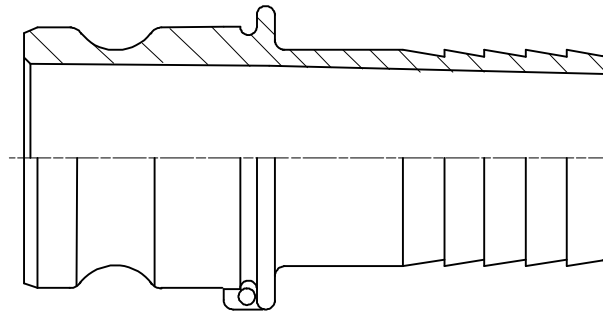
# 2" SYSTEM

CAMLOCK COUPLERS & ADAPTERS

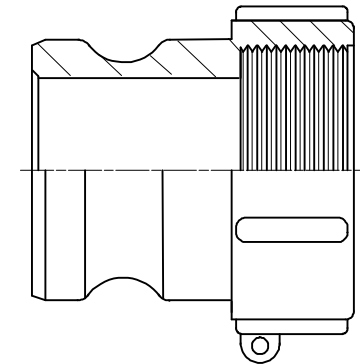
SHEET 4 OF 6



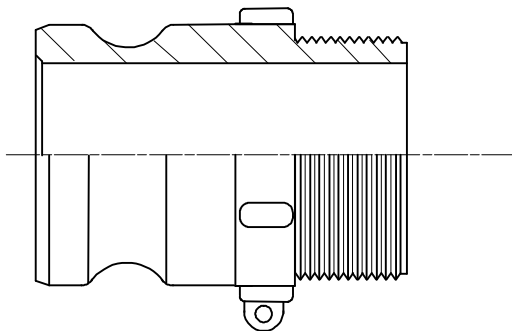
2" cam part 'D' x S60X6 female  
Part No: CFD/20UD/027  
Old number: CPP200DBUT60



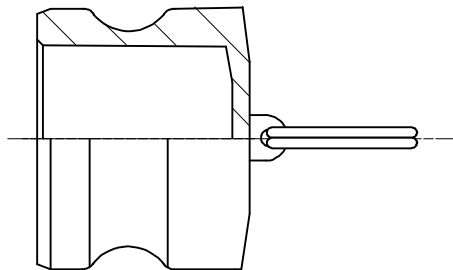
2" cam part 'E' x 2" (50mm) hose tail  
Part No: CME/20T/027  
Old number: CPP200E



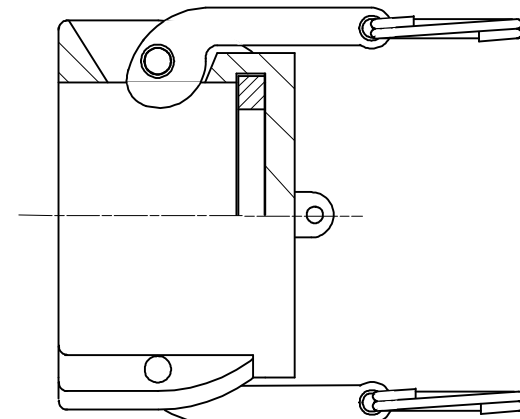
2" cam part 'A' x 2" NPT female  
Part No: CMA/20N/027  
Old number: CPP200A  
BSP available



2" cam part 'F' x 2" NPT male  
Part No: CMF/20N/027  
Old number: CPP200F  
BSP available



2" cam part 'DP' x dust plug  
Part No: CMP/20P/027  
Old number: CPP200PL

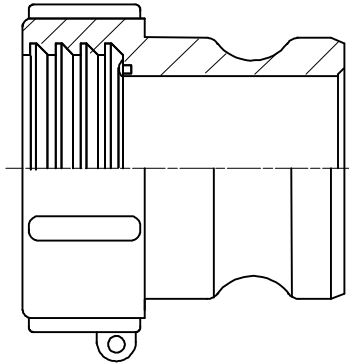


2" cam part 'DC' x dust cap  
Part No: CFH/20C/027  
Old number: CPP200CAP

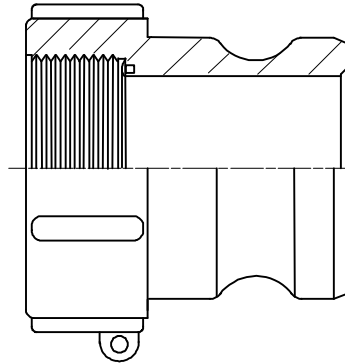
# 2" SYSTEM

CAMLOCK ADAPTERS

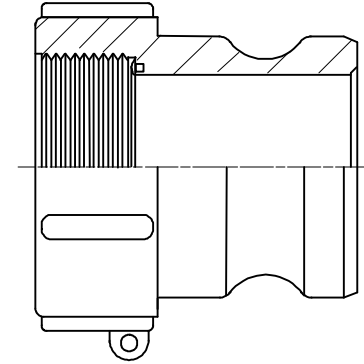
SHEET 5 OF 6



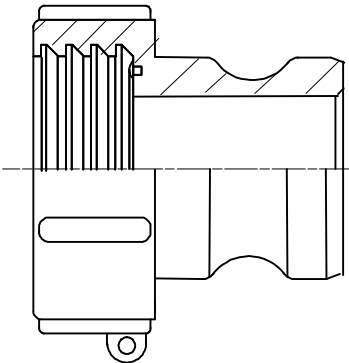
2" cam part 'A' x S60X6 female  
Part No: CMA/20UD/027  
Old number: CPP200BUT60



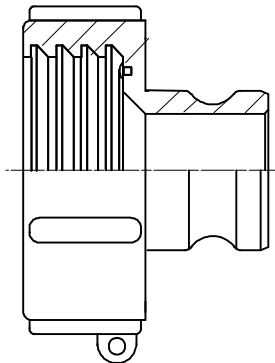
2" cam part 'A' x 2" BSP female (2828)  
Part No: CMA/20BP/027  
Old number: CPP200APB



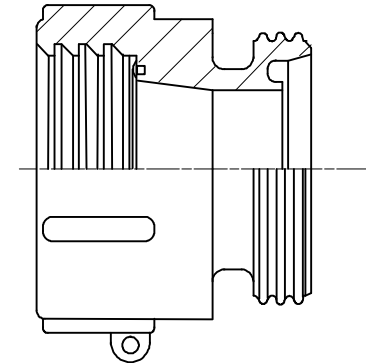
2" cam part 'A' x 2" NPSM female  
Part No: CMA/20M/027  
Old number: CPP200AMS



1 1/2" cam part 'A' x S60X6 female  
Part No: CMA/15UD/027  
Old number: CPP150ABUT60



1" cam part 'A' x S60X6 female  
Part No: CMA/10UD/027  
Old number: CPP100ABUT60



S60X6 female X specials  
Part No:#####



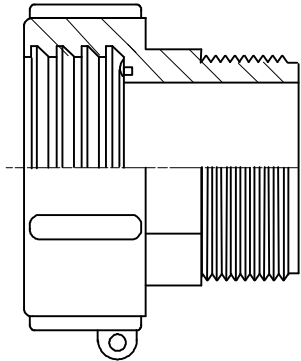
**IBC OFF LOAD ADAPTERS**

We are continuing to expand our range, please contact us if you can not find what you require.

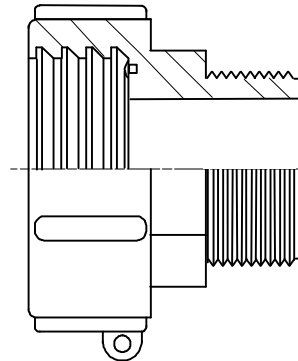
# 2" SYSTEM

VALVE ADAPTERS

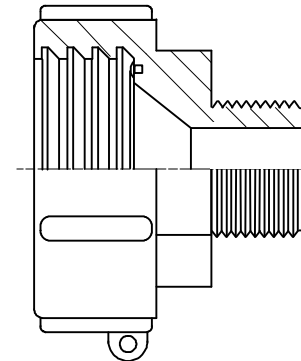
SHEET 6 OF 6



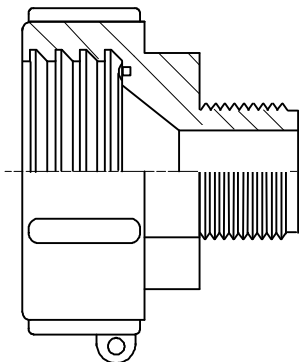
2"NPT male x S60X6 female  
Part No: HMFb/20UD/027  
Old number: HMFN200BUT60  
*BSP available*



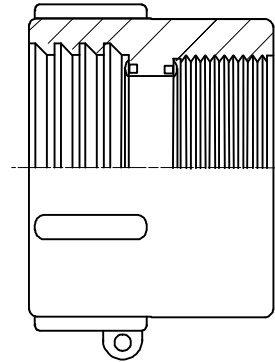
1 1/2"NPT male x S60X6 female  
Part No: HMFb/15UD/027  
Old number: HMFN150BUT60  
*BSP available*



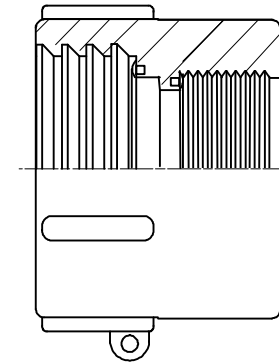
1" NPT male x S60X6 female  
Part No: HMFb/10UD/027  
Old number: HMFN100BUT60  
*BSP available*



3/4" NPT male x S60X6 female  
Part No: HMFN/75UD/027  
Old number: HMFN075BUT60  
*BSP available*



2" NPS female x S60X6 female  
Part No: HFFM/20UD/027  
Old number: HFFBUT60200MS  
*BSP available*



1 1/2" NPS female x S60X6 female  
Part No: HFFM/15UD/027  
Old number: HFFBUT60150MS  
*BSP available*



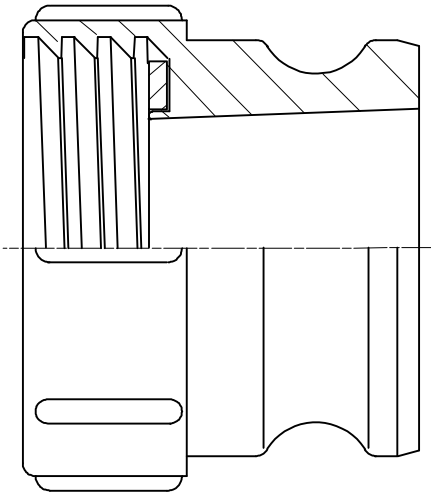
## IBC OFF LOAD ADAPTERS

We are continuing to expand our range, please contact us if you can not find what you require.

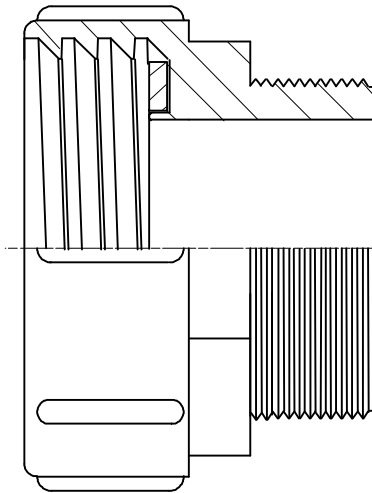
# 3" SYSTEM

3" VALVE ADAPTERS

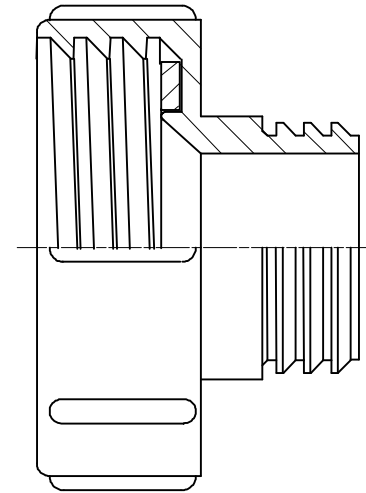
SHEET 1 OF 2



3" CAM ADAPTER X S100X8 FEMALE  
PART NO: CMA/30U/027  
Old number: CPP300BUT100



S100X8 FEMALE X 3" NPS MALE  
PART NO: HMFU/30N/027  
Old number: HMFN300BUT100  
*BSP available*



S100X8 FEMALE TO S60X6 MALE  
PART NO: HMFU/32US/027  
Old number: HMF BUT60300BUT100



**IBC OFF LOAD ADAPTERS**

We are continuing to expand our range, please contact us if you can not find what you require.