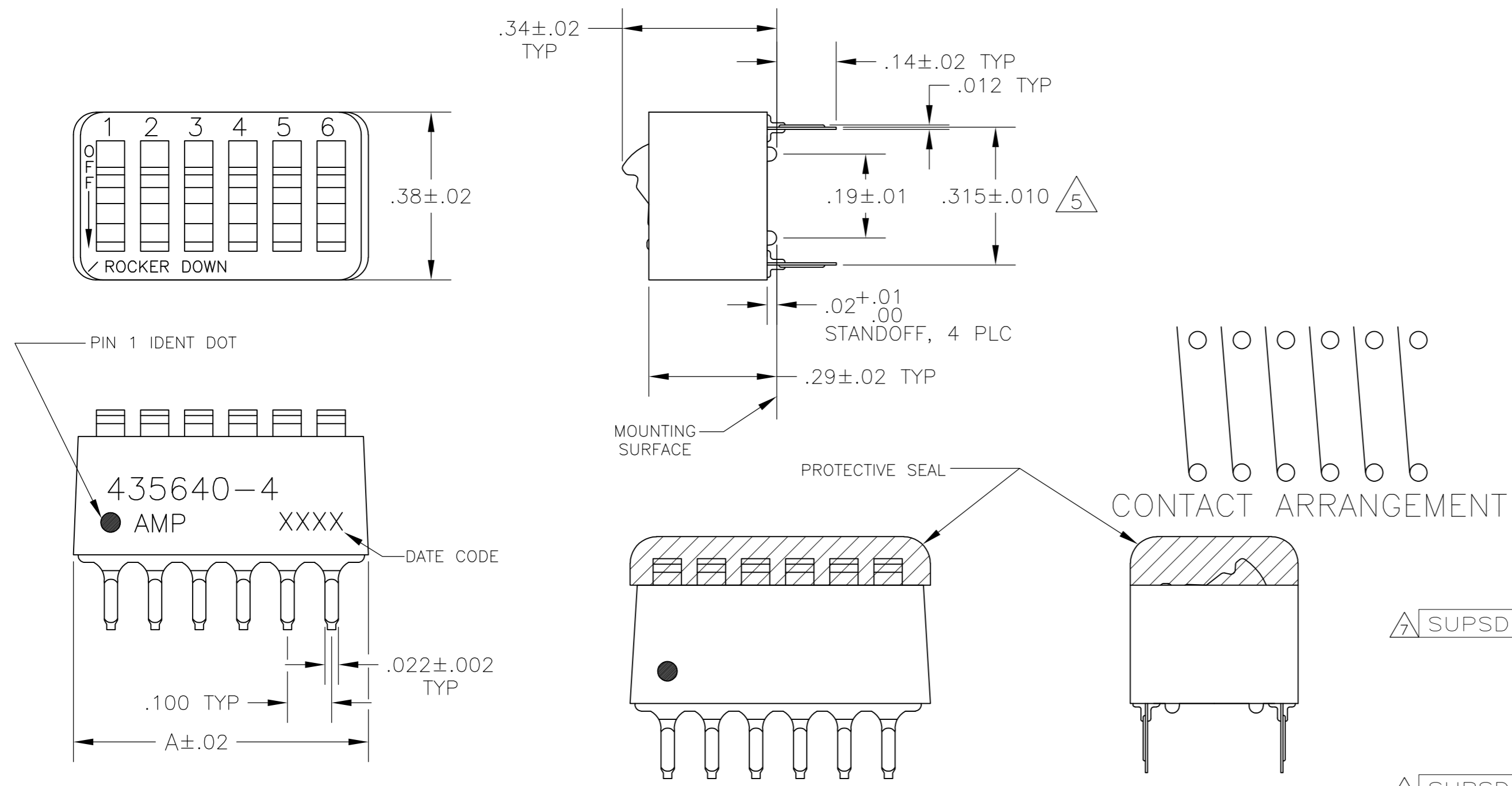


THIS DRAWING IS UNPUBLISHED. RELEASED FOR PUBLICATION
 © COPYRIGHT BY TYCO ELECTRONICS CORPORATION. ALL INTERNATIONAL RIGHTS RESERVED.

LOC	DIST	REVISIONS					
AD	00	P	LTR	DESCRIPTION	DATE	DWN	APVD
		AM2		REVISED PER ECO-10-017721	30AUG10	HMR	MW

- FOR ADDITIONAL SPECIFICATIONS SEE AMP PRODUCT SPEC 108-7532.
- SWITCH SHOWN IN OPEN POSITION.
- ALL CHARACTERS AND ROCKERS ARE WHITE, HOUSING IS BLUE.
- STAMPING WILL VARY ON 2 AND 3 POSITION SIDES DUE TO SPACE RESTRICTIONS.

△5 .315 DIMENSION APPLIES AT TERMINAL TIPS.
 TERMINALS ARE .300-.000 AT MOUNTING SURFACE.
 △6 STRIPPABLE TRANSPARENT SEAL, SEE FIG 1.



△7 OBSOLETE	FIG 6	—	1.08	10	6-435640-1
△7 OBSOLETE	FIG 7	—	.58	5	6-435640-0
△7 OBSOLETE	FIG 5	△6	-.48	4	5-435640-9
△7 OBSOLETE	FIG 5	△6	-.88	8	5-435640-8
△7 OBSOLETE	FIG 5	△6	.98	9	5-435640-7
△7 OBSOLETE	FIG 5	△6	-.68	6	5-435640-6
△7 OBSOLETE	FIG 5	△6	-.58	5	5-435640-5
△7 OBSOLETE	FIG 5	△6	-.48	4	5-435640-4
△7 OBSOLETE	FIG 2	△6	.88	8	5-435640-3
△7 OBSOLETE	FIG 5	△6	.88	8	5-435640-2
△7 OBSOLETE	FIG 3	△6	1.08	10	5-435640-1
△7 OBSOLETE	FIG 3	△6	.88	8	5-435640-0
△7 OBSOLETE	FIG 3	△6	.88	8	4-435640-9
△7 OBSOLETE	FIG 3	△6	-.58	5	4-435640-8
△7 OBSOLETE	NONE	—	1.08	10	4-435640-7
△7 OBSOLETE	AS SHOWN	△6	1.28	12	4-435640-3
△7 OBSOLETE	AS SHOWN	△6	1.08	10	4-435640-1
△7 OBSOLETE	AS SHOWN	△6	.98	9	4-435640-0
△7 OBSOLETE	AS SHOWN	△6	.88	8	3-435640-9
△7 OBSOLETE	AS SHOWN	△6	.78	7	3-435640-8
△7 OBSOLETE	AS SHOWN	△6	.68	6	3-435640-7
△7 OBSOLETE	AS SHOWN	△6	.58	5	3-435640-6
△7 OBSOLETE	AS SHOWN	△6	.48	4	3-435640-5
△7 OBSOLETE	AS SHOWN	△6	.38	3	3-435640-4
△7 OBSOLETE	AS SHOWN	△6	.28	2	3-435640-3
△7 OBSOLETE	AS SHOWN	△6	1.28	12	3-435640-2
△7 OBSOLETE	AS SHOWN	△6	.38	3	3-435640-0
△7 OBSOLETE	AS SHOWN	△6	.28	2	2-435640-9
△7 OBSOLETE	AS SHOWN	△6	.78	7	2-435640-2
△7 OBSOLETE	AS SHOWN	△6	1.08	10	435640-7
△7 OBSOLETE	AS SHOWN	△6	.98	9	435640-6
△7 OBSOLETE	AS SHOWN	△6	.88	8	435640-5
△7 OBSOLETE	AS SHOWN	△6	.68	6	435640-4
△7 OBSOLETE	AS SHOWN	△6	.58	5	435640-3
△7 OBSOLETE	AS SHOWN	△6	.48	4	435640-2
△7 OBSOLETE	AS SHOWN	△6	.78	7	435640-1

SUPSD BY 3-435668-3
 SUPSD BY 2-435668-6
 SUPSD BY 3-1589670-4

435640-4 SHOWN

△7 OBSOLETE PARTS: OBSOLETE CIS STREAMLINING PER D.RENAUD/D.SINISI

THIS DRAWING IS A CONTROLLED DOCUMENT.		DWN R.TALLEY 15NOV89	Tyco Electronics Corporation Harrisburg, PA 17105-3608	
DIMENSIONS: INCHES		CHK R.L.MILLER 06MAR90	NAME	
TOLERANCES UNLESS OTHERWISE SPECIFIED:		APVD H.LEITER 06MAR90	SWITCH ASSY, DIP, TYPE C, 7100 SERIES, SPST, STANDARD	
0 PLC ± -		PRODUCT SPEC	SIZE	CAGE CODE
1 PLC ± -		APPLICATION SPEC	A2	00779
2 PLC ± -		WEIGHT	SCALE	DRAWING NO
3 PLC ± .005		CUSTOMER DRAWING	4:1	C=435640
4 PLC ± -		RESTRICTED TO	SHEET	REV
ANGLES ± -			1 of 1	AM2
MATERIAL: HOUSING & ROCKERS; POLYESTER CONTACTS; COPPER ALLOY		FINISH: CONTACTS; PLATED .000030 MIN GOLD IN CONTACT AREA OVER .000050 MIN NICKEL		