

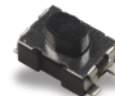
KMR 4 Series Microminiature SMT Top Actuated

Features/Benefits

- Small footprint
- 4 actuation forces
- Excellent tactile feel
- Ultra low current capabilities
- IP40

Typical Applications

- Automotive
- Industrial electronics
- Medical equipment



B

Tactile Switches

Specification

FUNCTION: momentary action
CONTACT ARRANGEMENT: 1 make contact = SPST, N.O.
TERMINALS: Gullwing type for SMT

Mechanical

| Type G and NG See description below | Operating force N (grs) | Operating life (cycles) | Travel (mm) |
|---|-------------------------------|-------------------------------|---------------|
| KMR411 LFS | 1.2 (120) ± 0.30 | 100,000 | 0.20 mm ± 0.1 |
| KMR411 ULC LFS | 1.2 (120) ± 0.30 | 100,000 | 0.20 mm ± 0.1 |
| KMR413 LFG | 1.2 (120) ± 0.30 | 100,000 | 0.20 mm ± 0.1 |
| KMR413 ULC LFG | 1.2 (120) ± 0.30 | 100,000 | 0.20 mm ± 0.1 |
| KMR421 LFS | 2.0 (200) ± 0.50 | 100,000 | 0.25 mm ± 0.1 |
| KMR421 ULC LFS | 2.0 (200) ± 0.50 | 100,000 | 0.25 mm ± 0.1 |
| KMR423 LFG | 2.0 (200) ± 0.50 | 100,000 | 0.25 mm ± 0.1 |
| KMR423 ULC LFG | 2.0 (200) ± 0.50 | 100,000 | 0.25 mm ± 0.1 |
| KMR431 LFS | 3.0 (300) ± 0.75 | 100,000 | 0.25 mm ± 0.1 |
| KMR431 ULC LFS | 3.0 (300) ± 0.75 | 100,000 | 0.25 mm ± 0.1 |
| KMR432 LFS | 3.0 (300) ± 0.75 | 300,000 | 0.25 mm ± 0.1 |
| KMR432ULC LFS | 3.0 (300) ± 0.75 | 300,000 | 0.25 mm ± 0.1 |
| KMR433 LFG | 3.0 (300) ± 0.75 | 100,000 | 0.25 mm ± 0.1 |
| KMR433ULC LFG | 3.0 (300) ± 0.75 | 100,000 | 0.25 mm ± 0.1 |
| KMR441 LFS | 4.0 (400) ± 1.00 | 100,000 | 0.30 mm ± 0.1 |
| KMR441 ULC LFS | 4.0 (400) ± 1.00 | 100,000 | 0.30 mm ± 0.1 |
| KMR442 LFS | 4.0 (400) ± 1.00 | 200,000 | 0.30 mm ± 0.1 |
| KMR442 ULC LFS | 4.0 (400) ± 1.00 | 200,000 | 0.30 mm ± 0.1 |
| KMR443 LFG | 4.0 (400) ± 1.00 | 100,000 | 0.30 mm ± 0.1 |
| KMR443 ULC LFG | 4.0 (400) ± 1.00 | 100,000 | 0.30 mm ± 0.1 |

Electrical

| | Silver | Gold |
|------------------------|------------|---------|
| MAXIMUM POWER: | 1 VA | 0.2 VA |
| MAXIMUM VOLTAGE: | 32 VDC | 32 VDC |
| MINIMUM VOLTAGE: | 20 mVDC | 20 mVDC |
| MAXIMUM CURRENT: | 50 mA | 10 mA |
| MINIMUM CURRENT: | 1 mA* | 1 mA* |
| DIELECTRIC STRENGTH: | ≥ 250 Vrms | |
| CONTACT RESISTANCE: | ≤ 100 mΩ | |
| INSULATION RESISTANCE: | ≥ 1GΩ | |
| BOUNCE TIME: | ≤ 3 ms | |

*For ULC version minimum current is 1µA at 1.8 VDC

Environmental

| | Silver | Gold |
|------------------------|---------------|----------------|
| OPERATING TEMPERATURE: | -40°C to 85°C | -40°C to 125°C |
| STORAGE TEMPERATURE: | -55°C to 85°C | -55°C to 125°C |

Process

Infrared Reflow Soldering in accordance with IEC61760-1

Packaging

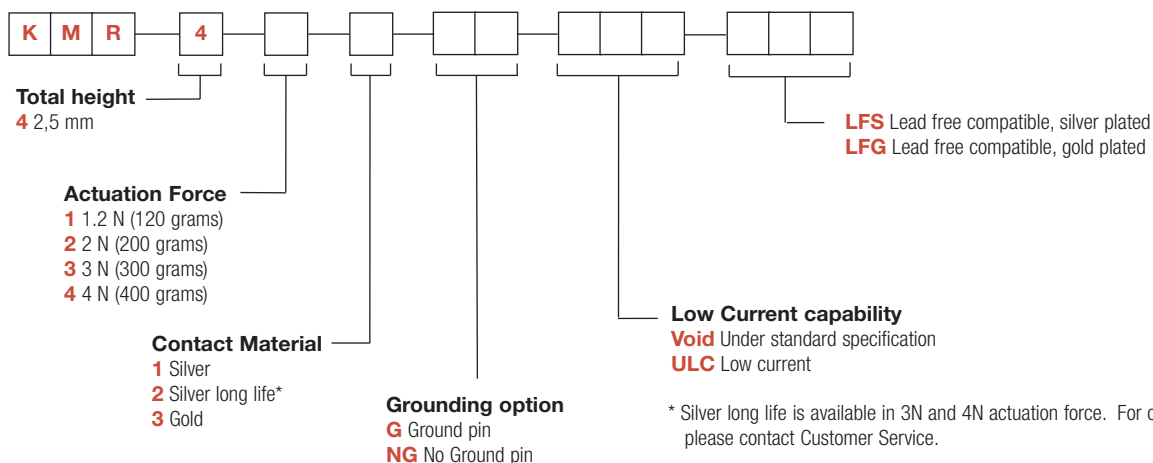
In reels of 6,000 pieces
External diameter 330 mm ± 2 mm

NOTE: Specifications listed above are for switches with standard options.
For information on specific and custom switches, consult Customer Service Center.

TACTILE FEELING: KMR 4 series with actuation force in 2N - 3N - 4N: ≥ 25%
KMR 4 series with actuation force in 1.2N: ≥ 20%

Part Number Description

For any part number different from those listed above, please consult your local representative.



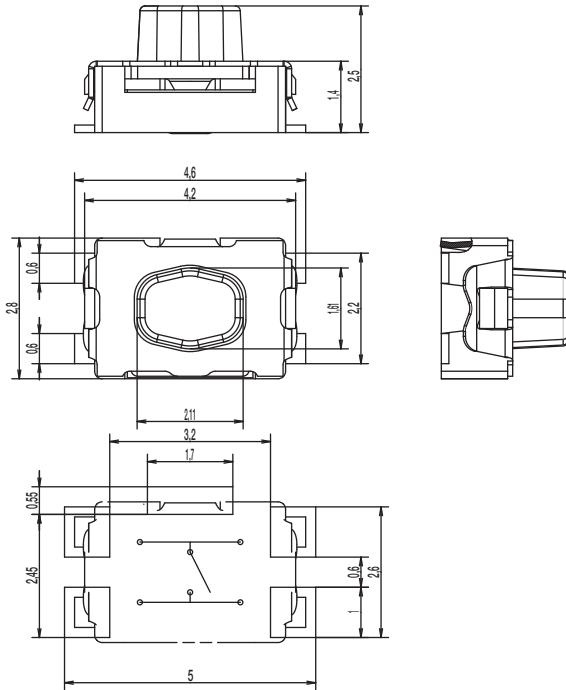
KMR 4 Series Microminiature Tact Switch for SMT

KMR 4 Series - 2.5 mm height

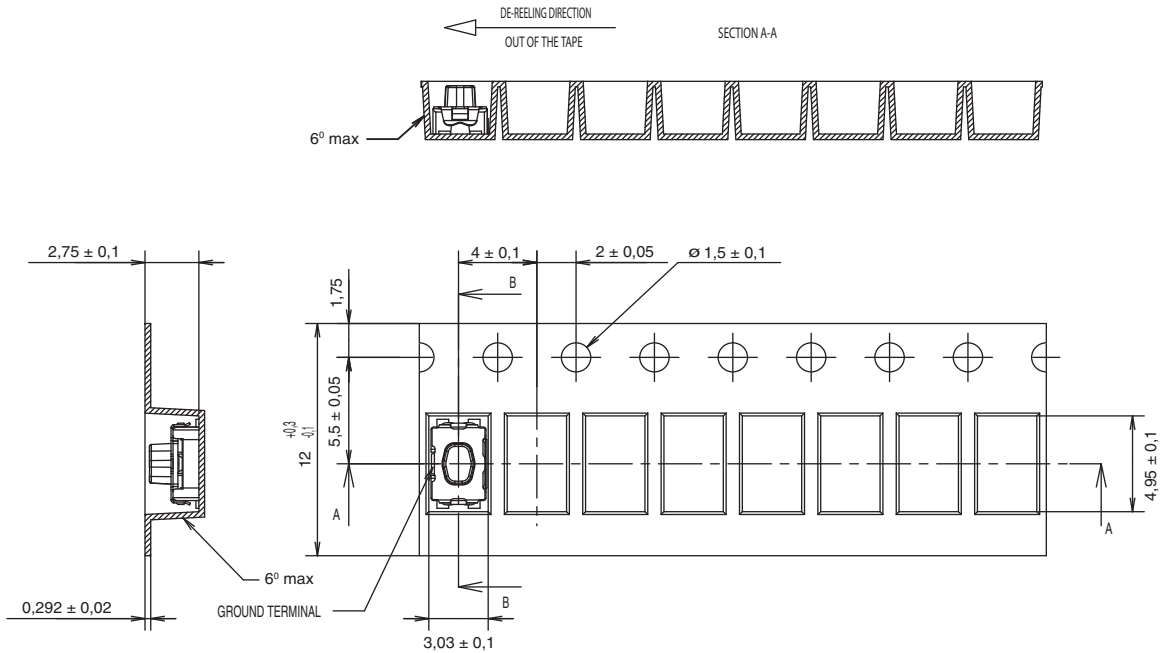
PCB layout shown with ground pin option

B

Tactile Switches



TAPE & REEL



First Angle
Projection

Dimensions are shown: mm
Specifications and dimensions subject to change