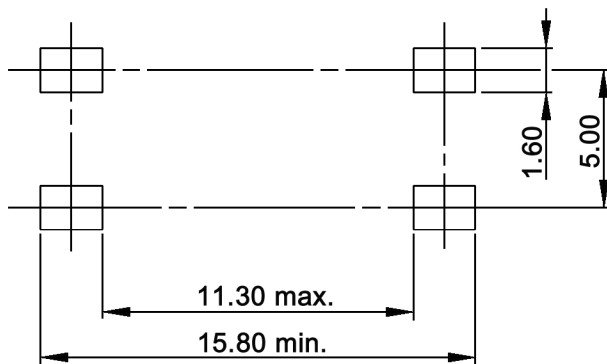
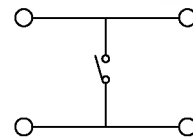


P.C.B. LAYOUT



CIRCUIT DIAGRAM



Tolerances:	<10: ±0.2mm		Date	Name
	10-30: ±0.3mm		11/08	dr
Packaging	05/12	dr	knitter-switch	
Specifications	07/11	dr		
Plating	01/11	dr		
Modifications	Date	Name		

TSSE 12 S

30 16 57

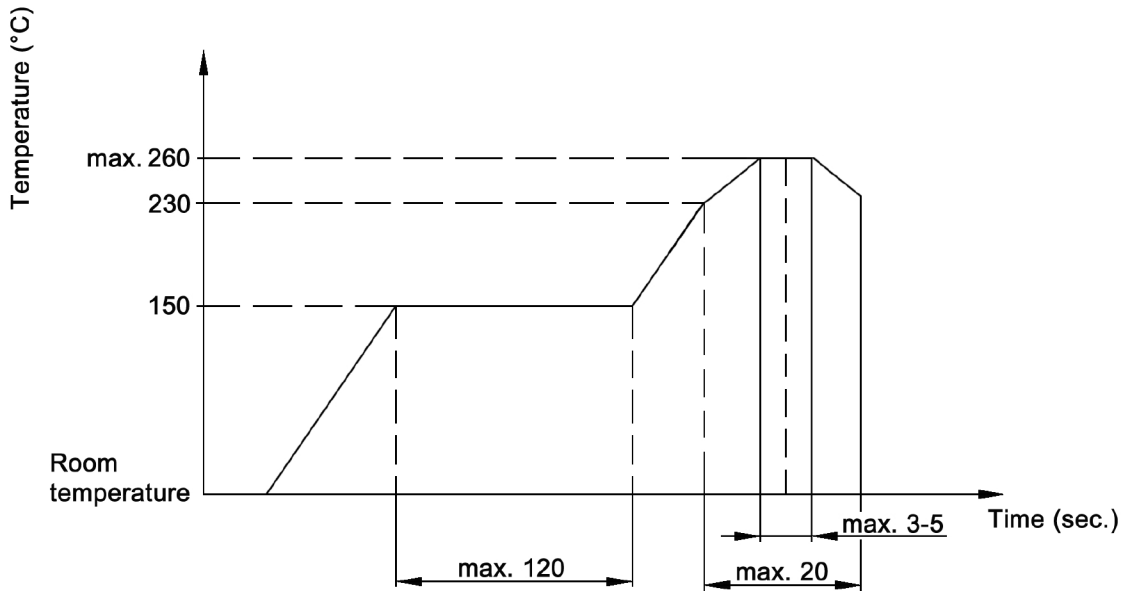
Page

1/3

Specifications:

Contact rating: 100mA, 42V DC/AC max.
 (0.01mA, 0.02V DC/AC min.)
 Switching power: 1W max.
 Contact resistance: 100mOhm max.
 Insulation resistance: 1 000MOhm
 Dielectric strength: 150V AC (50Hz)
 Operating temperature: -40°C to +80°C
 Mechanical life: 1 000 000 cycles
 Operating force: 3.6 +/-0.7N
 Stop strength: 100N
 Travel: 0.61 +/-0.1mm
 Bounce: 5ms max.
 Packaging unit: 750 pcs. / reel
 Material: All plastic material UL94HB
 Contact: stainless steel, gold plated over nickel
 Terminal: brass, tin over nickel

Soldering conditions:



Tolerances: <10: ±0.2mm 10-30: ±0.3mm	Date	Name
	11/08	dr
Modifications	Date	Name

TSSE 12 S

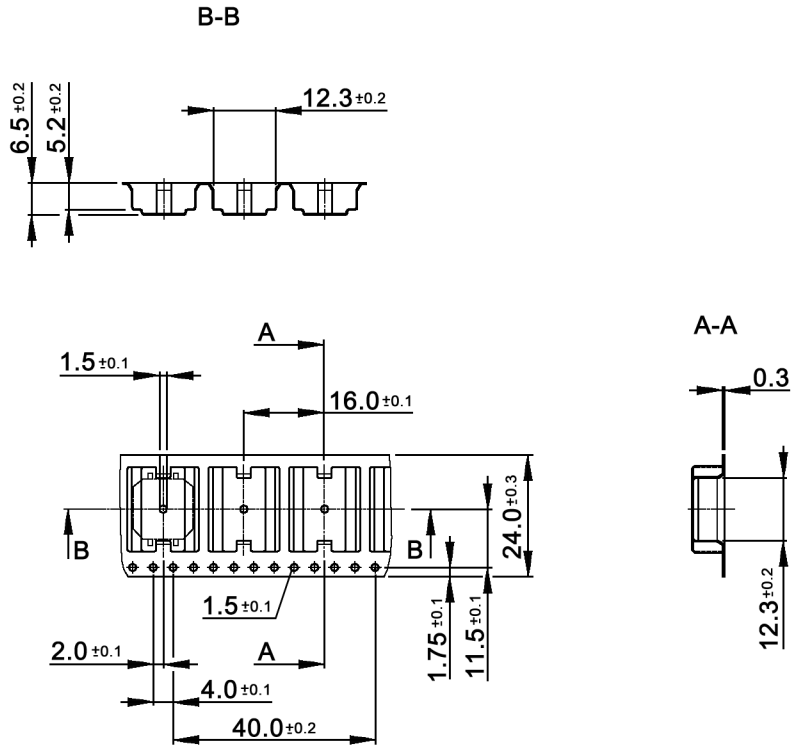
knitter-switch

30 16 57

Page

2/3

Packaging:



Tolerances: <10: ± 0.2 mm 10-30: ± 0.3 mm	Date	Name
	11/08	dr

TSSE 12 S

knitter-switch

30 16 57

Page

3/3

Modifications Date Name