

NUMBER OF POS.	PART NUMBER	PACK	"L" MAX.	"M"
1	0-5161390-1	2000	5,08	-
2	0-5161390-2	1000	7,62	2,54
3	0-5161390-3	1000	10,16	5,08
4	0-5161390-4	1000	12,70	7,62
5	0-5161390-5	500	15,24	10,16
6	0-5161390-6	500	17,78	12,70
7	0-5161390-7	500	20,32	15,24
8	0-5161390-8	500	22,86	17,78
9	0-5161390-9	250	25,40	20,32
10	1-5161390-0	250	27,94	22,86
11	1-5161390-1	250	30,48	25,40
12	1-5161390-2	250	33,02	27,94
13	1-5161390-3	150	35,56	30,48
14	1-5161390-4	150	38,10	33,02
15	1-5161390-5	150	40,64	35,56
16	1-5161390-6	100	43,18	38,10
17	1-5161390-7	100	45,72	40,64
18	1-5161390-8	100	48,26	43,18
19	1-5161390-9	100	50,80	45,72
20	2-5161390-0	100	53,34	48,26
21	2-5161390-1	100	55,88	50,80
22	2-5161390-2	100	58,42	53,34
23	2-5161390-3	100	60,96	55,88
24	2-5161390-4	100	63,50	58,42
25	2-5161390-5	100	66,04	60,96
26	2-5161390-6	50	68,58	63,50
27	2-5161390-7	50	71,12	66,04
28	2-5161390-8	50	73,66	68,58
29	2-5161390-9	50	76,20	71,12
30	3-5161390-0	50	78,84	73,66

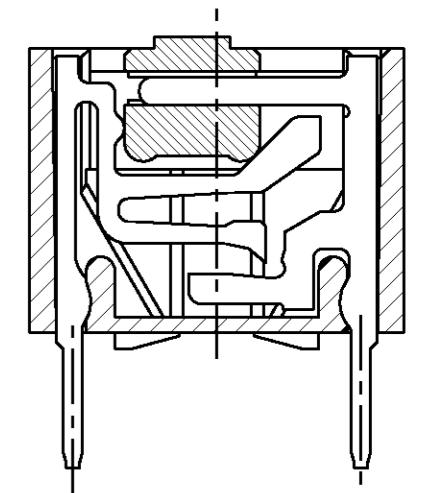
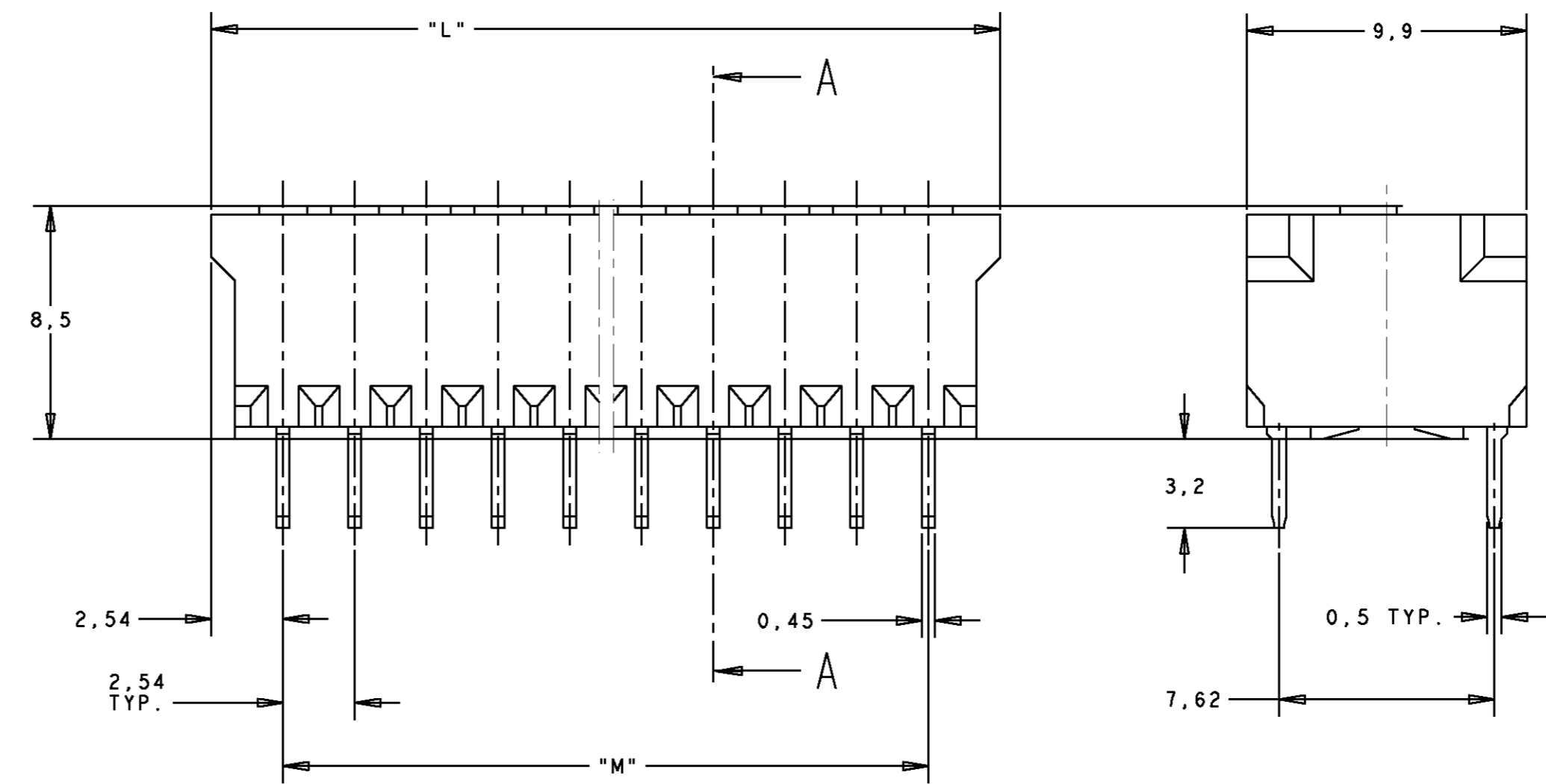
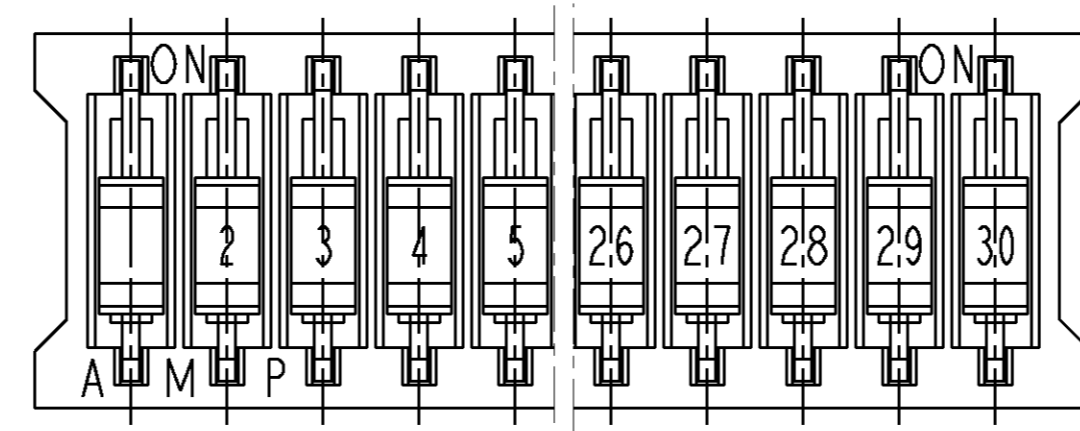
DO NOT SCALE
DIMENSIONS IN mm

METRIC

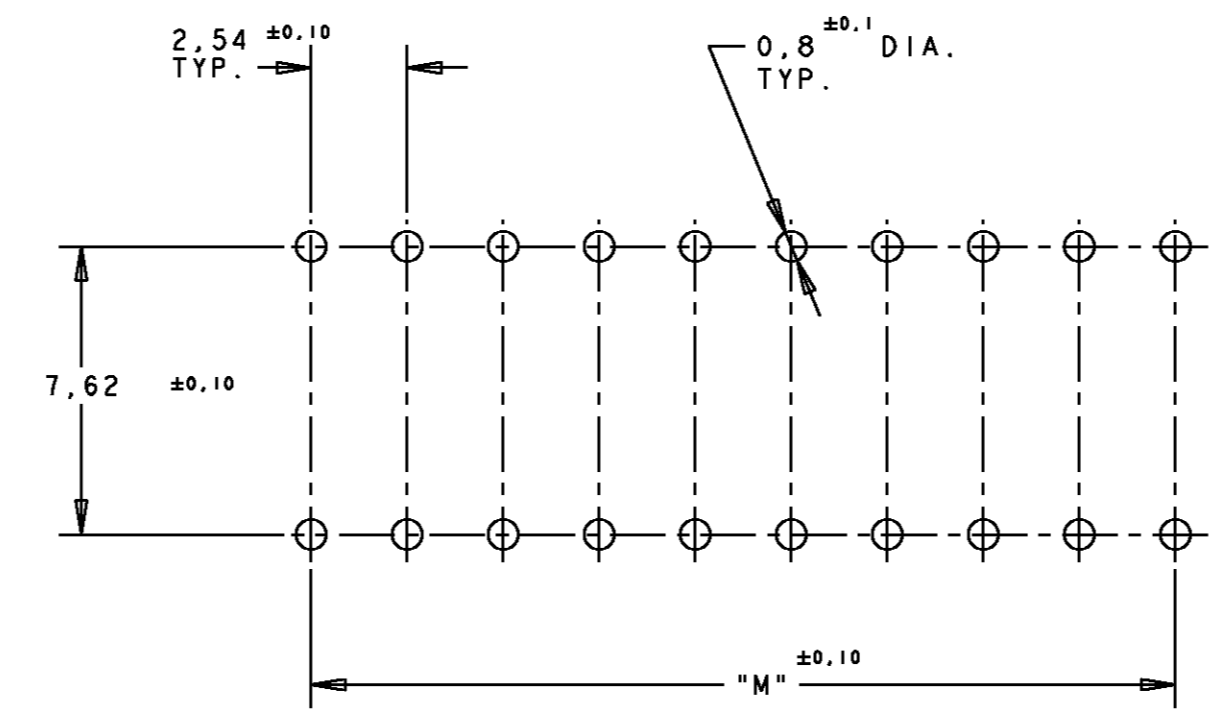


AMP PRODUCT SPEC.: 108-19336.

MATERIAL:
HOUSING : 30% G.F. NYLON , COLOUR : NATURAL.
ACTUATOR: 20% G.F. POLYESTER , COLOUR : RED.
CONTACTS: PHOSPHOR-BRONZE.
PLATING: MIN. 2,5 μm TIN.

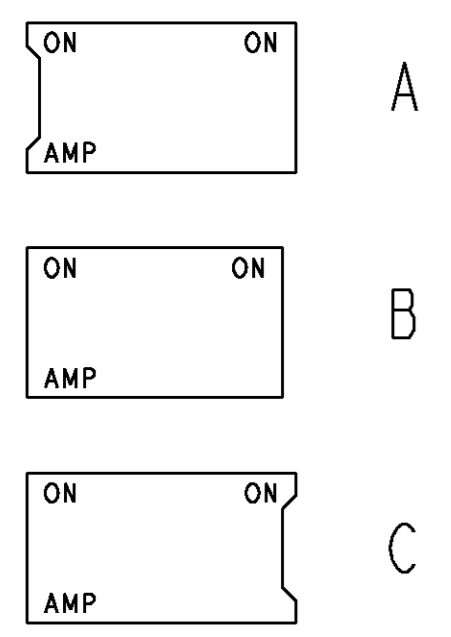


SECTION A-A



RECOMMENDED P.C. BOARD HOLE PATTERN.
P.C. BOARD THICKNESS : 1,6mm.

SWITCH HOUSINGS MAY HAVE PROFILE A , B OR C.



FINISH		MATERIAL		PARTNUMBER	
CUSTOMER DRAWING FOR REFERENCE ONLY WILL NOT BE UPDATED					
© COPYRIGHT 19... BY AMP HOLLAND B.V. ALL INTERNATIONAL RIGHTS RESERVED. AMP PRODUCTS MAY BE COVERED BY U.S. AND FOREIGN AND/OR PATENTS PENDING.					
THIS DRAWING IS UNPUBLISHED RELEASED FOR PUBLICATION					
B		ECR-07-004547		RvH JvdK 27FEB07	
A		INITIATE		RvH JvdK 29JAN07	
LTR.		REVISION RECORD		DR. CHK. DATE	
DR.: RvHEUVEN		CHK.: JvdKROGT		APP.: JvdKROGT	
DATE: 29JAN07		DATE: 29JAN07		DATE: 29JAN07	
DWG. No. C-5161390		RESTRICTED TO		SHEET 1 OF 1	
				REV. LTR. B	