

SPECIFICATIONS:

MATERIAL:
CASE: PPS 94V-0, BLACK
COVER: PPS 94V-0, BLACK
ACTUATOR: NYLON PA6T 94V-0, WHITE
MOVING CONTACT: COPPER ALLOY, GOLD OVER NICKEL PLATE.
FIXED CONTACT/TERMINAL: COPPER ALLOY, GOLD OVER NICKEL PLATE.

ELECTRICAL:
CONTACT RATING: MAX RATING (SWITCHING) 100 MILLIAMPS @ 24V DC,
MIN (SWITCHING) 0.10 MICROAMPS @ 1 MILLIVOLT,
MAX (NON-SWITCHING) 1 AMP @ 5V DC INITIAL
CONTACT RESISTANCE: 50 MILLIOHMS MAX.
INSULATION RESISTANCE: 100 MEGOHMS MIN. @ 100 VDC.
DIELECTRIC STRENGTH: 500 VAC. LIFE EXPECTANCY: 1000 CYCLES MIN.

MECHANICAL:
ACTUATION FORCE: 800g MAX.

ENVIRONMENTAL:
OPERATING TEMPERATURE: -22°F TO +185°F (-30°C TO +85°C).
STORAGE TEMPERATURE: -49°F TO +212°F (-45°C TO +100°C).
SOLDER HEAT RESISTANCE TO 265±3°C FOR 8±2 SECONDS.
SOLDERABILITY PER JIS C 0050 & JIS C 0053

- CONTACT PRESSURE: 280,000 PSI.
 - CLEANING: AQUEOUS SOLUTION OR SOLVENT.
 - PACKAGING OPTIONS- CLEAR TUBES OR TAPE AND REEL PER EIA-481 SWITCH SUPPLIED IN THE "OFF" POSITION UNLESS "ON" IS SPECIFIED IN THE ALCO PART NUMBER (SEE PART NUMBER TABLE FOR ALL OPTIONS)
 - TOP & FRONT SURFACES TO BE CLEARLY MARKED AS SHOWN.
 - SWITCHES TO BE BLACK WITH WHITE ACTUATORS AND MARKINGS.
 - ALL MATERIAL AND FINISHES SHALL COMPLY WITH EU DIRECTIVE 2002/95/EC OF 27JAN2003 (ROHS)
- △ OBSOLETE PARTS: OBSOLETE CIS STREAMLINING PER D.RENAUD/D.SINISI

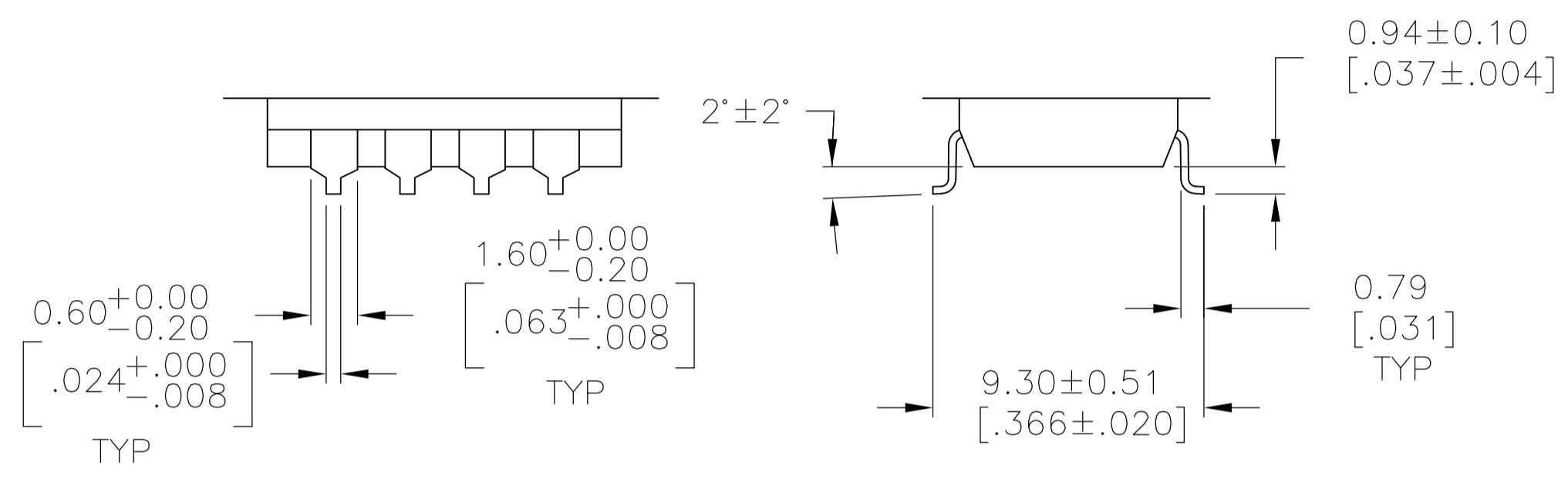
SEE SHEET 2 FOR SURFACE MOUNT OPTIONS AND DIMENSIONS.

DESCRIPTION	QTY	LEAD	DATE	REV	DESCRIPTION	QTY	LEAD	DATE	REV
TUBE	10	27.38 [1.078]			ADPA10SA04	6-1571999-4			
TUBE	10	27.38 [1.078]			ADPA10S04	6-1571999-3			
TUBE	10	27.38 [1.078]			ADPA1004	6-1571999-2			
TUBE	9	24.84 [.978]			ADPA09SA04	6-1571999-1			
TUBE	9	24.84 [.978]			ADPA09S04	6-1571999-0			
TUBE	9	24.84 [.978]			ADPA0904	5-1571999-9			
TUBE	8	22.30 [.878]			ADPA08SA04	5-1571999-8			
TUBE	8	22.30 [.878]			ADPA08S04	5-1571999-7			
TUBE	8	22.30 [.878]			ADPA0804	5-1571999-6			
TUBE	7	19.76 [.778]			ADPA07SA04	5-1571999-5			
TUBE	7	19.76 [.778]			ADPA07S04	5-1571999-4			
TUBE	7	19.76 [.778]			ADPA0704	5-1571999-3			
TUBE	6	17.22 [.678]			ADPA06SA04	5-1571999-2			
TUBE	6	17.22 [.678]			ADPA06S04	5-1571999-1			
TUBE	6	17.22 [.678]			ADPA0604	5-1571999-0			
TUBE	5	14.68 [.578]			ADPA05SA04	4-1571999-9			
TUBE	5	14.68 [.578]			ADPA05S04	4-1571999-8			
TUBE	5	14.68 [.578]			ADPA0504	4-1571999-7			
TUBE	4	12.14 [.478]			ADPA04SA04	4-1571999-6			
TUBE	4	12.14 [.478]			ADPA04S04	4-1571999-5			
TUBE	4	12.14 [.478]			ADPA0404	4-1571999-4			
TUBE	2	7.06 [.278]			ADPA02SA04	4-1571999-3			
TUBE	2	7.06 [.278]			ADPA02S04	4-1571999-2			
TUBE	2	7.06 [.278]			ADPA0204	4-1571999-1			
OBSOLETE	TAPE & REEL SWITCH ON	10	27.38 [1.078]		ADP10STRON04	4-1571999-0			
△ OBSOLETE	TAPE & REEL	10	27.38 [1.078]		ADP10STR04	3-1571999-9			
△ OBSOLETE	TUBE	10	27.38 [1.078]		ADP10SA04	3-1571999-8			
△ OBSOLETE	TUBE	10	27.38 [1.078]		ADP10S04	3-1571999-7			
△ OBSOLETE	TUBE	10	27.38 [1.078]		ADP1004	3-1571999-6			
OBSOLETE	TAPE & REEL SWITCH ON	9	24.84 [.978]		ADP09STRON04	3-1571999-5			
△ OBSOLETE	TAPE & REEL	9	24.84 [.978]		ADP09STR04	3-1571999-4			
△ OBSOLETE	TUBE	9	24.84 [.978]		ADP09SA04	3-1571999-3			
△ OBSOLETE	TUBE	9	24.84 [.978]		ADP09S04	3-1571999-2			
△ OBSOLETE	TUBE	9	24.84 [.978]		ADP0904	3-1571999-1			
OBSOLETE	TAPE & REEL SWITCH ON	8	22.30 [.878]		ADP08STRON04	3-1571999-0			
△ OBSOLETE	TAPE & REEL	8	22.30 [.878]		ADP08STR04	2-1571999-9			
△ OBSOLETE	TUBE	8	22.30 [.878]		ADP08SA04	2-1571999-8			
△ OBSOLETE	TUBE	8	22.30 [.878]		ADP08S04	2-1571999-7			
△ OBSOLETE	TUBE	8	22.30 [.878]		ADP0804	2-1571999-6			
OBSOLETE	TAPE & REEL SWITCH ON	7	19.76 [.778]		ADP07STRON04	2-1571999-5			
△ OBSOLETE	TAPE & REEL	7	19.76 [.778]		ADP07STR04	2-1571999-4			
△ OBSOLETE	TUBE	7	19.76 [.778]		ADP07SA04	2-1571999-3			
△ OBSOLETE	TUBE	7	19.76 [.778]		ADP07S04	2-1571999-2			
△ OBSOLETE	TUBE	7	19.76 [.778]		ADP0704	2-1571999-1			
OBSOLETE	TAPE & REEL SWITCH ON	6	17.22 [.678]		ADP06STRON04	2-1571999-0			
△ OBSOLETE	TAPE & REEL	6	17.22 [.678]		ADP06STR04	1-1571999-9			
△ OBSOLETE	TUBE	6	17.22 [.678]		ADP06SA04	1-1571999-8			
△ OBSOLETE	TUBE	6	17.22 [.678]		ADP06S04	1-1571999-7			
△ OBSOLETE	TUBE	6	17.22 [.678]		ADP0604	1-1571999-6			
OBSOLETE	TAPE & REEL SWITCH ON	5	14.68 [.578]		ADP05STRON04	1-1571999-5			
△ OBSOLETE	TAPE & REEL	5	14.68 [.578]		ADP05STR04	1-1571999-4			
△ OBSOLETE	TUBE	5	14.68 [.578]		ADP05SA04	1-1571999-3			
△ OBSOLETE	TUBE	5	14.68 [.578]		ADP05S04	1-1571999-2			
△ OBSOLETE	TUBE	5	14.68 [.578]		ADP0504	1-1571999-1			
OBSOLETE	TAPE & REEL SWITCH ON	4	12.14 [.478]		ADP04STRON04	1-1571999-0			
△ OBSOLETE	TAPE & REEL	4	12.14 [.478]		ADP04STR04	1571999-9			
△ OBSOLETE	TUBE	4	12.14 [.478]		ADP04SA04	1571999-8			
△ OBSOLETE	TUBE	4	12.14 [.478]		ADP04S04	1571999-7			
△ OBSOLETE	TUBE	4	12.14 [.478]		ADP0404	1571999-6			
OBSOLETE	TAPE & REEL SWITCH ON	2	7.00 [.276]		ADP02STRON04	1571999-5			
△ OBSOLETE	TAPE & REEL	2	7.00 ± 0.50 [.276 ± .020]		ADP02STR04	1571999-4			
△ OBSOLETE	TUBE	2	7.00 ± 0.50 [.276 ± .020]		ADP02SA04	1571999-3			
△ OBSOLETE	TUBE	2	7.00 ± 0.50 [.276 ± .020]		ADP02S04	1571999-2			
△ OBSOLETE	TUBE	2	7.00 ± 0.50 [.276 ± .020]		ADP0204	1571999-1			
PACKAGING	Pole	Dim L	Old T&B P/N	P/N					

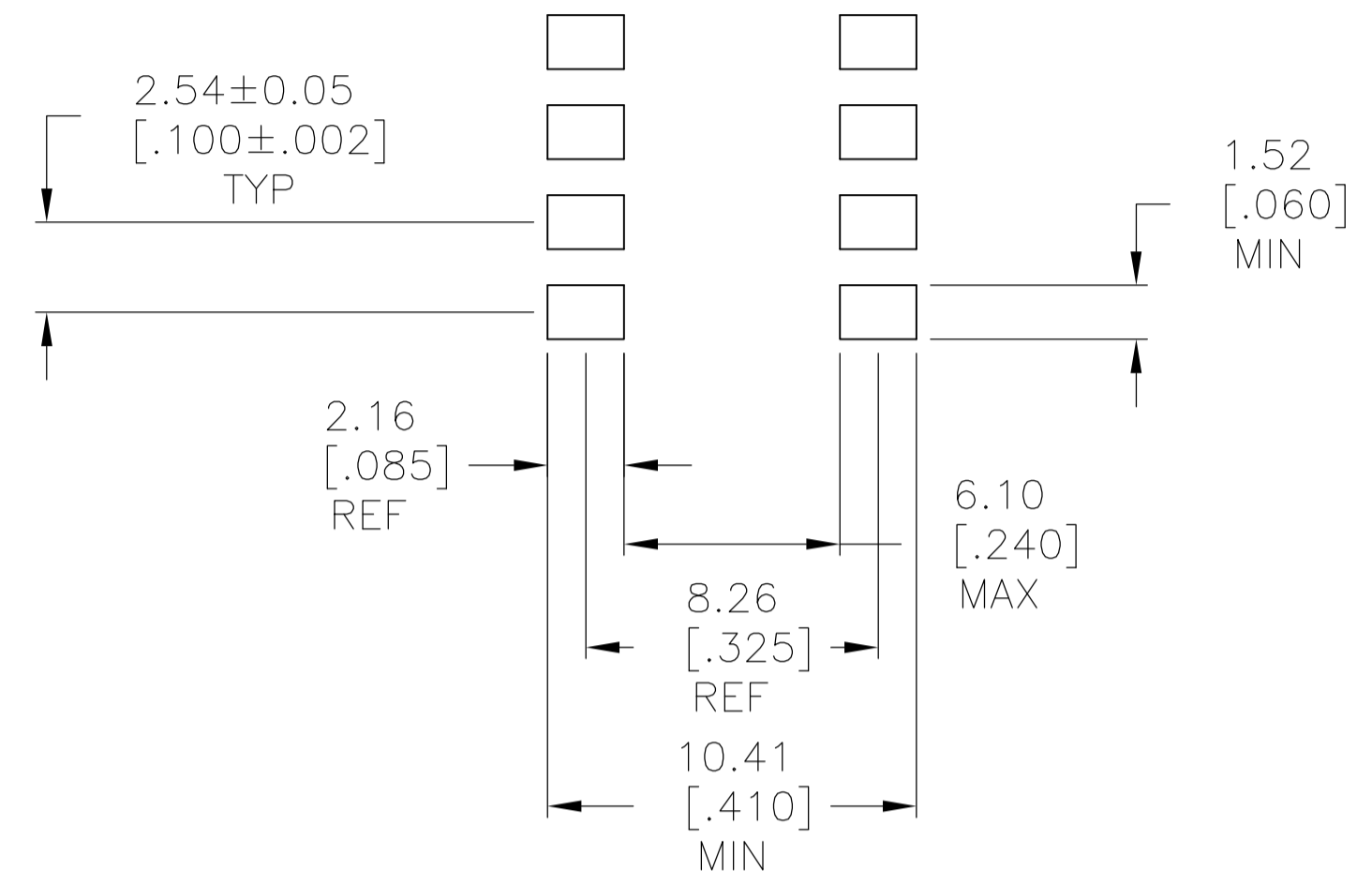
THIS DRAWING IS A CONTROLLED DOCUMENT.

DIMENSIONS: mm [INCHES]	TOLERANCES UNLESS OTHERWISE SPECIFIED:	DIN M BINNER 14FEB05	APVD M SARVER 15FEB05	NAME
0 PLC ± -	1 PLC ± -	2 PLC ± -	3 PLC ± 0.12(0.31)	4 PLC ± -
ANGLES ± 1°				
MATERIAL	FINISH	WEIGHT	SIZE	CAGE CODE
			A1	00779
			1571999	
CUSTOMER DRAWING		SCALE 1:1	SHEET 1 OF 2	REV D4

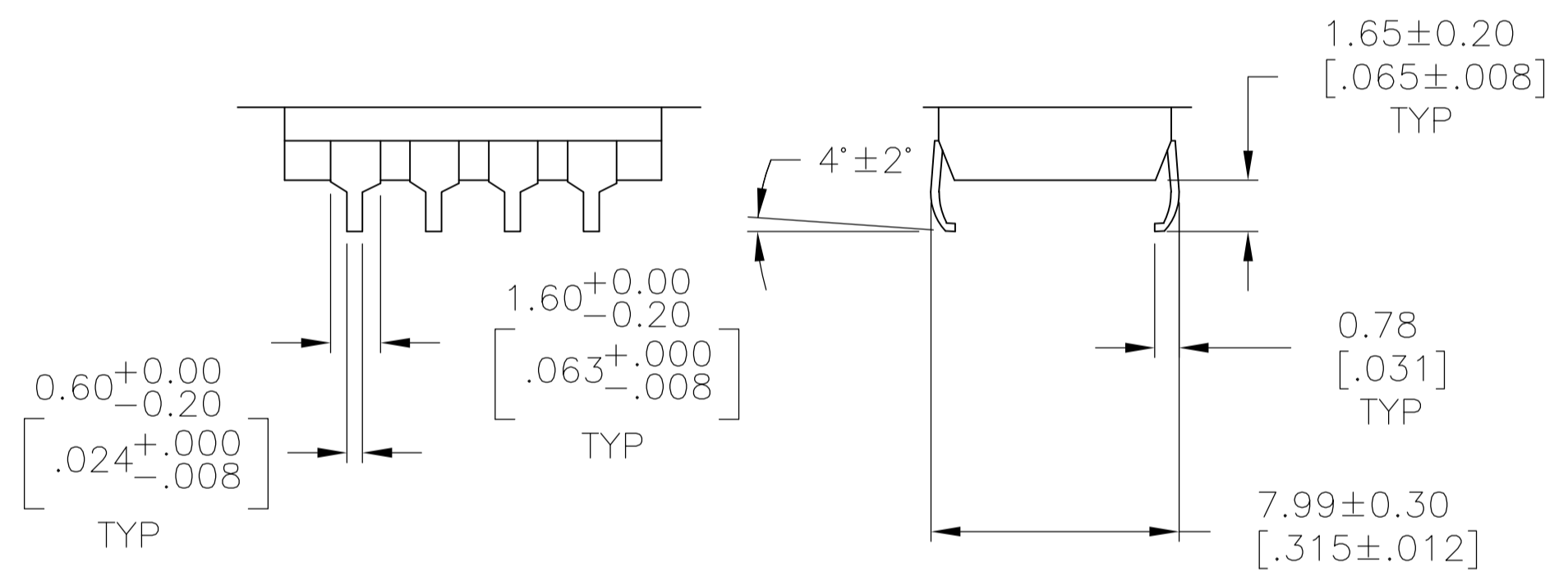
STE TE Connectivity
DIP SWITCH ASSEMBLY
ADP/PA SERIES



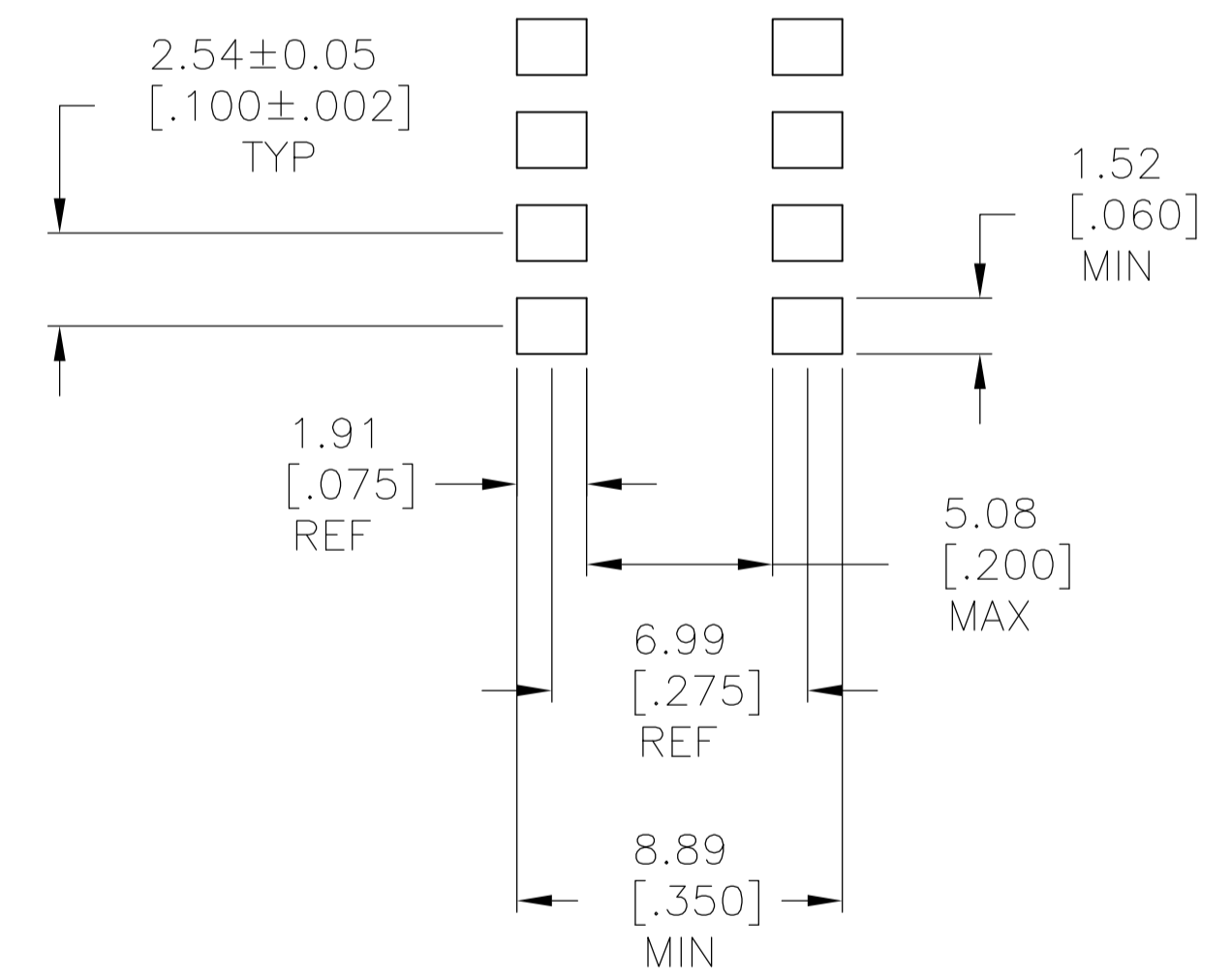
SURFACE MOUNT
"S" TERMINATION



RECOMMENDED PAD LAYOUT
SURFACE MOUNT
"S" TERMINATION



SURFACE MOUNT
"SA" TERMINATION



RECOMMENDED PAD LAYOUT
SURFACE MOUNT
"SA" TERMINATION

THIS DRAWING IS A CONTROLLED DOCUMENT.		DIN	M. BINNER	14FEB05	 TE Connectivity
DIMENSIONS: mm [INCHES]		CHK	M. SARVER	15FEB05	
TOLERANCES UNLESS OTHERWISE SPECIFIED:		APVD		M. SARVER	15FEB05
0. PLC ± -		NAME		DIP SWITCH ASSEMBLY	
1. PLC ± -		PRODUCT SPEC		ADP/PA SERIES	
2. PLC ± -		APPLICATION SPEC		SIZE	
3. PLC ± .012(0.31)		WEIGHT		CAGE CODE	
4. PLC ± ± 1°		CUSTOMER DRAWING		DRAWING NO	
MATERIAL		FINISH		RESTRICTED TO	
		SCALE		SHEET	
		1:1		2 OF 2	
		REV		D4	