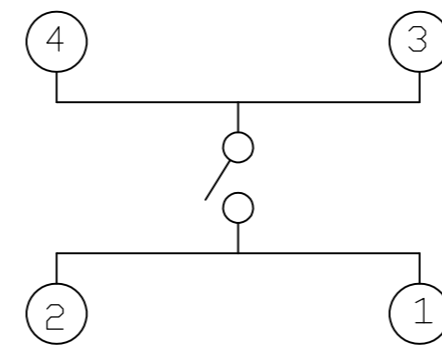
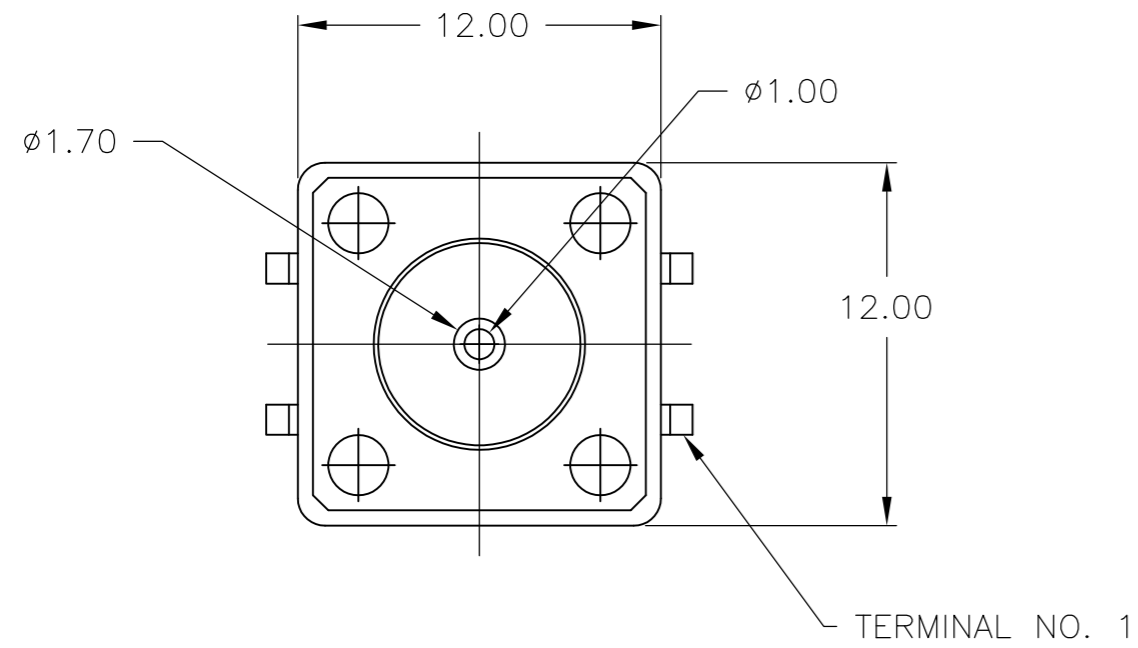


THIS DRAWING IS UNPUBLISHED. RELEASED FOR PUBLICATION
 © COPYRIGHT - By - ALL RIGHTS RESERVED.

LOC	DIST	REVISIONS			
P	LTR	DESCRIPTION	DATE	DWN	APVD
AD	00	F2	REVISED PER ECO-11-004587	11MAR11	RK HMR



CIRCUIT DIAGRAM

SPECIFICATIONS:

MATERIALS

CASE: THERMOPLASTIC, UL94-HB, BLACK
 COVER: THERMOPLASTIC
 ACTUATOR: THERMOPLASTIC, UL94-HB, COLOR: SEE TABLE
 MOVING CONTACT: COPPER ALLOY, SILVER CLAD
 FIXED CONTACT: COPPER ALLOY, SILVER PLATED

ELECTRICAL

MAX CONTACT RATING: 50MILLIAMPS@24V DC
 MIN CONTACT RATING: 10MICROAMPS@1V DC
 INITIAL CONTACT RESISTANCE: 100 MILLIOHM MAX
 INSULATION RESISTANCE: 100 MEGOHMS MIN @ 100VDC
 DIELECTRIC STRENGTH: 500 VAC 50/60 Hz FOR 1 MINUTE
 LIFE EXPECTANCY: UP TO 100,000 CYCLES

MECHANICAL

ACTUATION FORCE: DIM "A"
 ACTUATION TRAVEL: 0.30±0.15

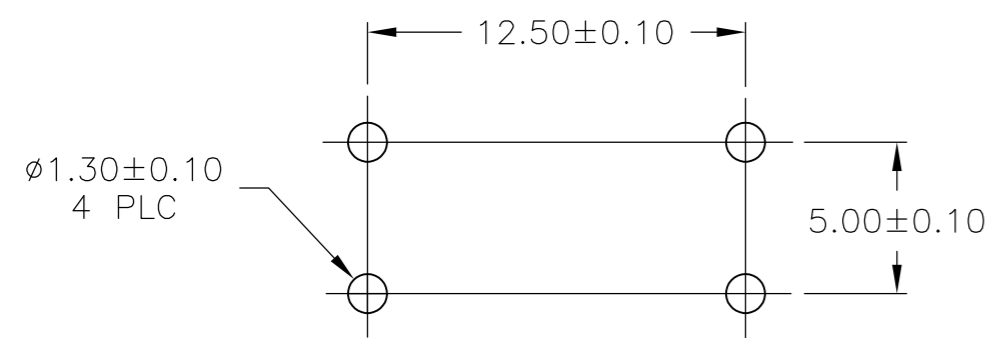
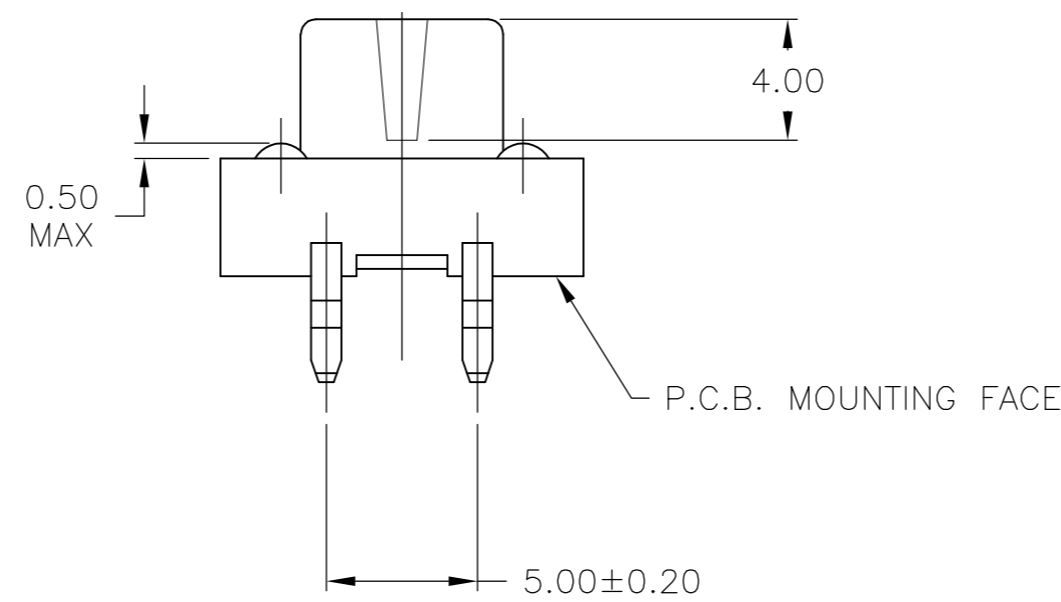
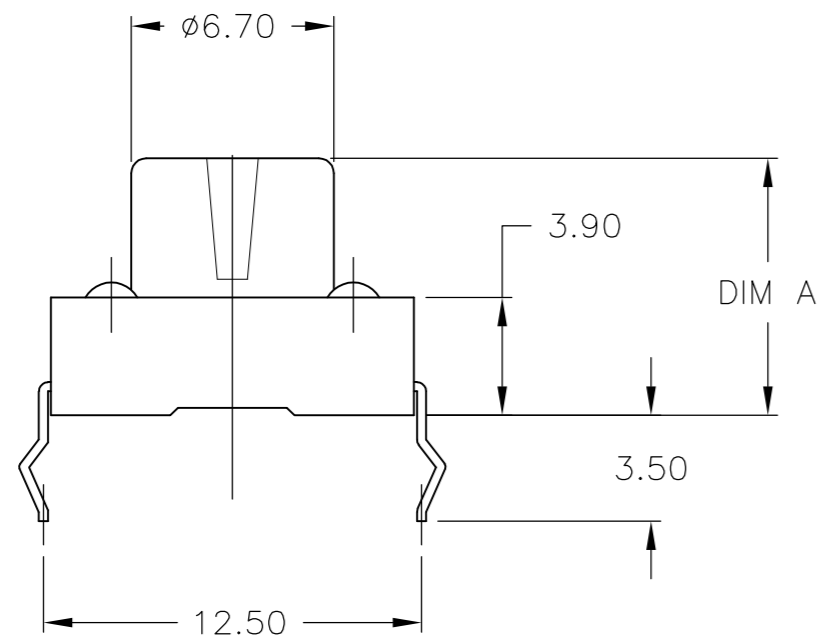
ENVIRONMENTAL

OPERATING TEMPERATURE: -35°C TO +85°C, 45% TO 85% RH
 STORAGE TEMPERATURE: -35°C TO +85°C
 RESISTANCE TO SOLDER HEAT PER 109-202, CONDITION B

SOLDERABILITY:

SPECIFICATION EIA-364-52, CLASS 1, CATEGORY 2

- ALL MATERIALS AND FINISHES SHALL COMPLY WITH EU DIRECTIVE 2002/95/EC OF 27JAN2003 ROHS



P.C.B. MOUNTING HOLE DIMENSION

	BLACK	7.50	160+/-50g	FSM101	1437565-3
OBSOLETE	RED	8.50	260+/-50g	FSM201A	1571140-1
	Actuator Color	Dim "A"	Actuation Force	T&B P/N	P/N

THIS DRAWING IS A CONTROLLED DOCUMENT.		DWN R BROWN 06MAY02			
DIMENSIONS: mm		CHK H WYNKOOP 06MAY02			
TOLERANCES UNLESS OTHERWISE SPECIFIED:		APVD H WYNKOOP 06MAY02	NAME SWITCH, TACTILE, 12 X 12		
0 PLC ± -		PRODUCT SPEC	SIZE	CAGE CODE	DRAWING NO
1 PLC ± -		APPLICATION SPEC	A2	00779	C=1571140
2 PLC ± 0.30			SCALE	SHEET	REV
3 PLC ± -			4:1	1 of 1	F2
4 PLC ± -					
ANGLES ± -					
FINISH		WEIGHT			
SEE NOTES		SEE NOTES	CUSTOMER DRAWING		