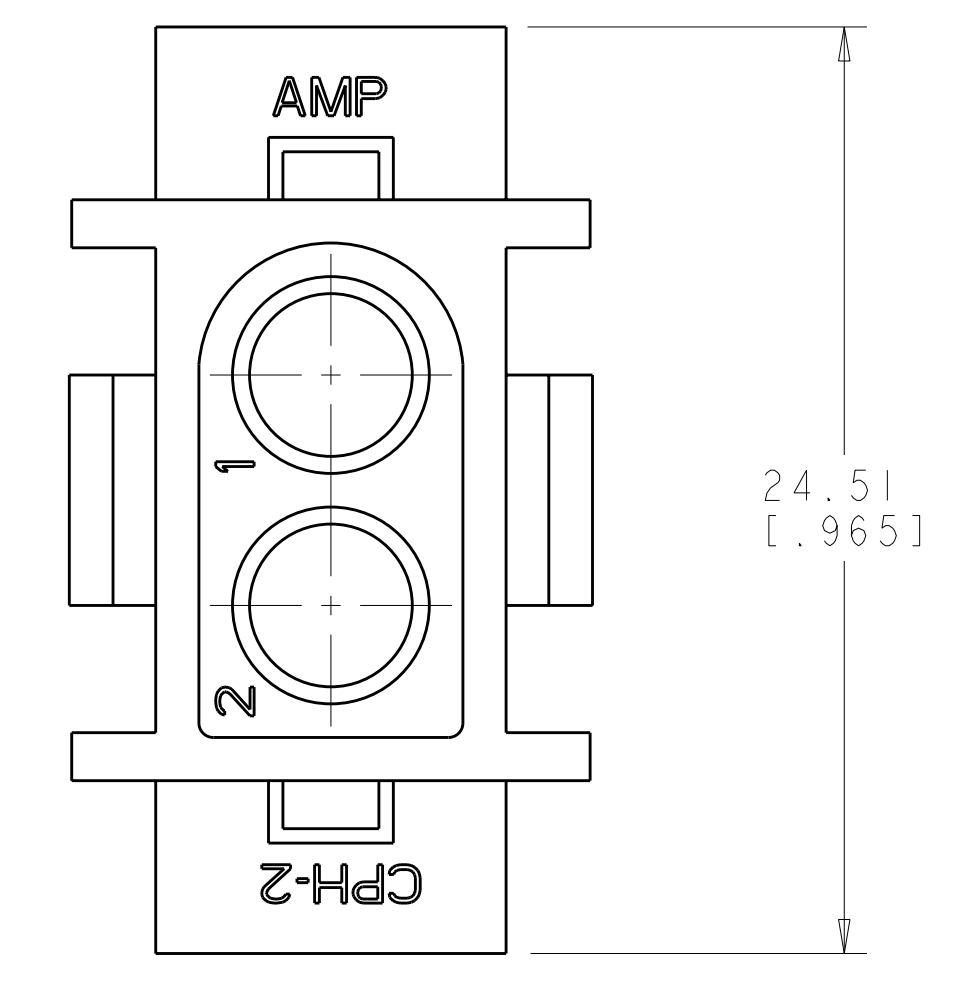
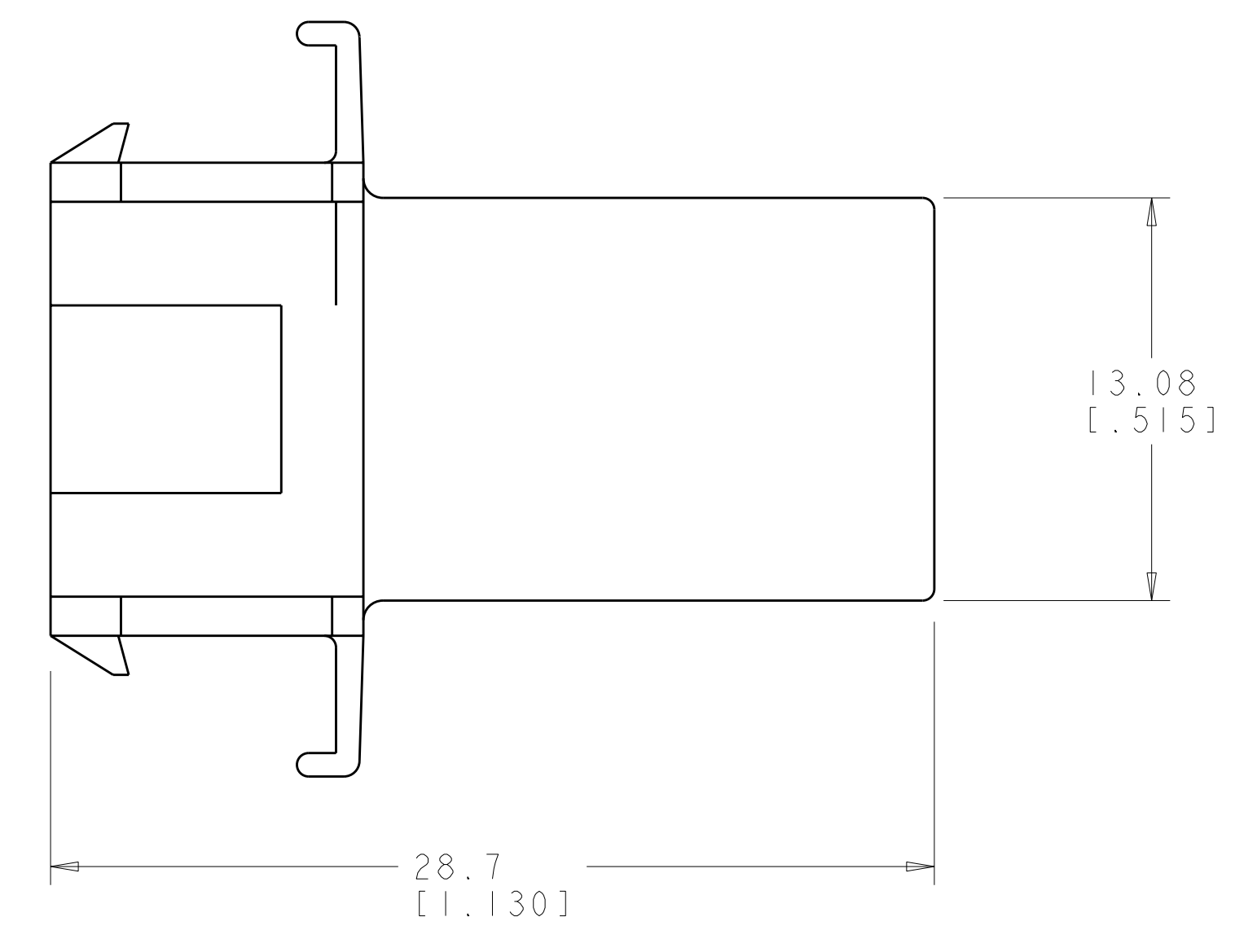
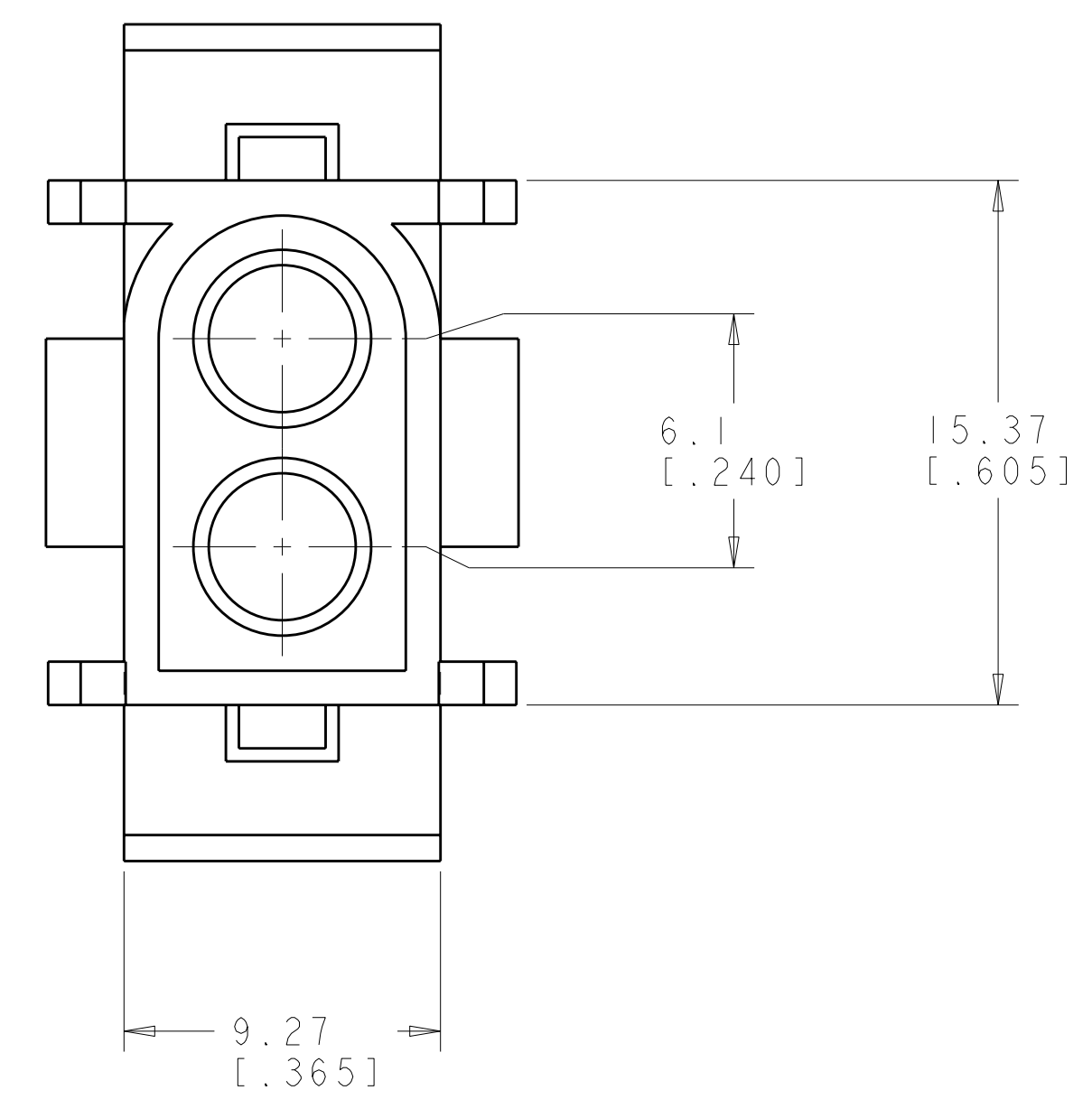
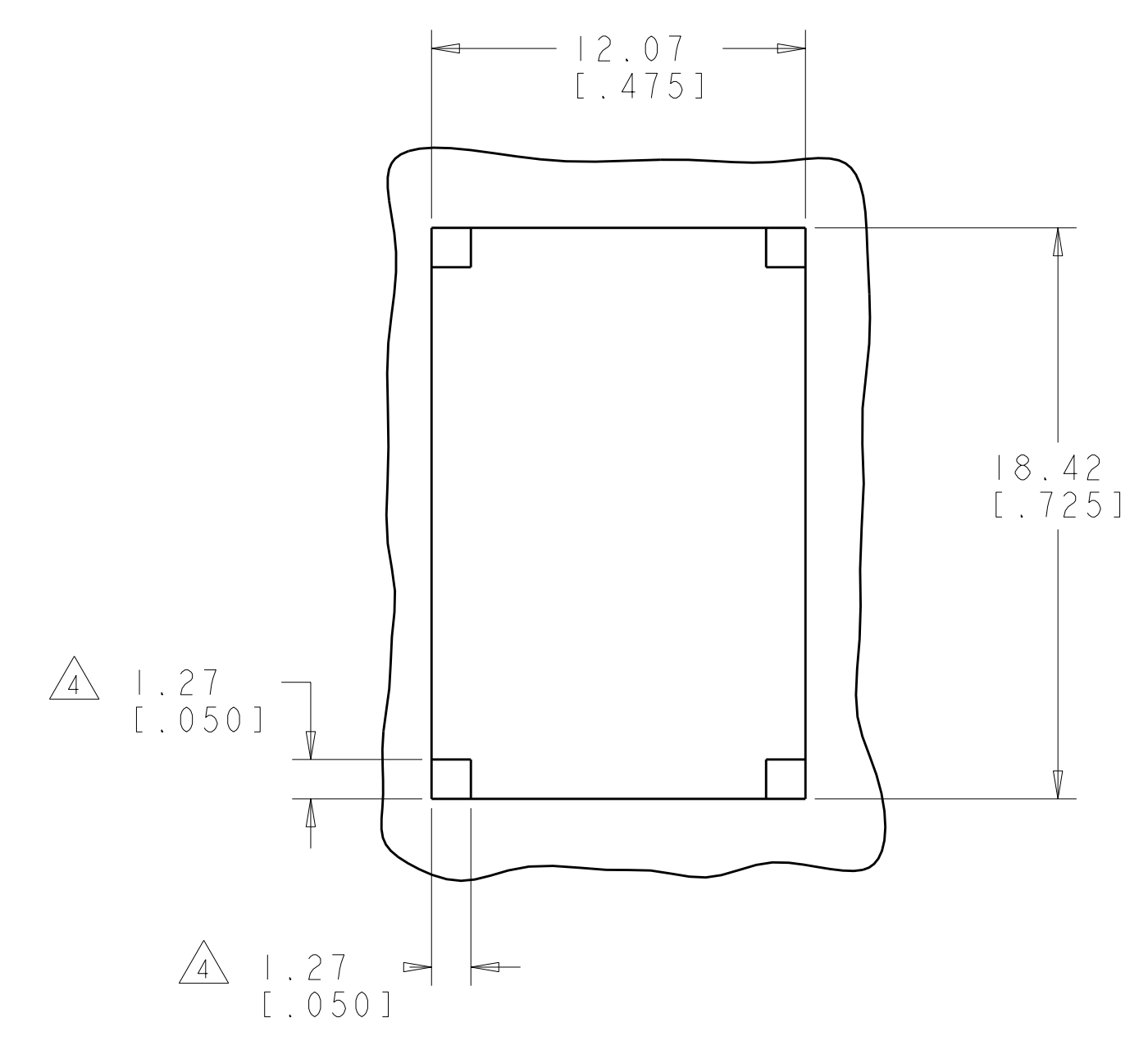
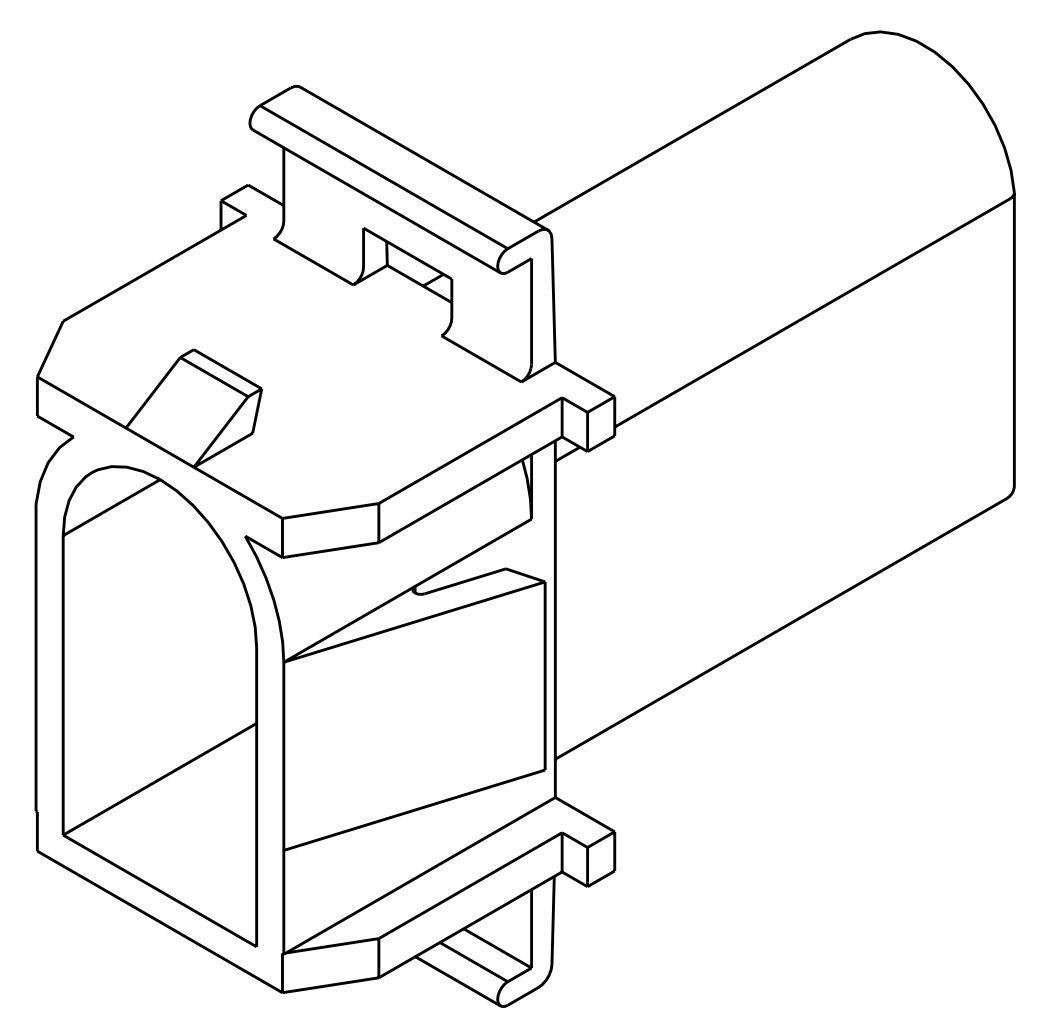
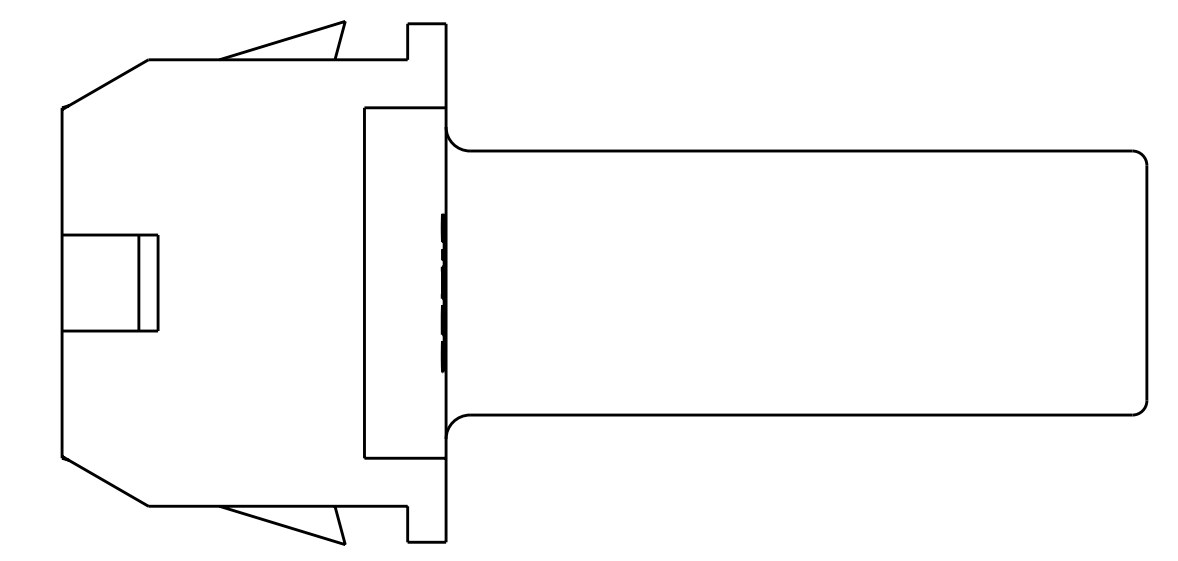


LOC	DIST	REVISIONS					
CM	00	P	LTR	DESCRIPTION	DATE	DWN	APVD
		D		REVISED PER ECO-07-009216	20APR2007	KW	CC
		E		ECO-08-007507	26MAR2008	KW	CC



- NOTE DELETED.
 - ACCEPTS .140 SERIES PINS.
 - MATES WITH PLUG 350344.
- △ 1.27 x 1.27 [.050 x .050] TABS IN CORNERS OF CUT-OUT ARE OPTIONAL TO REDUCE FLOAT IN PANEL.



RECOMMENDED PANEL CUT-OUT,
 PANEL THICKNESS 0.76-1.65 [.030-.065]

0.098 IN ³	GRAY	I-350345-8
0.098 IN ³	NATURAL	I-350345-0
VOLUME	COLOR	PART NUMBER

DIMENSIONS: mm [INCHES]		TOLERANCES UNLESS OTHERWISE SPECIFIED: 9 PLC ± 8 PLC ±0.13 [.005] 5 PLC ± 4 PLC ± ANGLES ±40° 30'		DWN: R. WHITAKER 18APR2007 CHK: C. CASH 18APR2007 APVD: C. CASH 18APR2007		Tyco Electronics Harrisburg, PA 17105-3608	
MATERIAL: NYLON FINISH: -		PRODUCT SPEC: - APPLICATION SPEC: - WEIGHT: -		NAME: CAP, 2 CIRCUIT, .140 MATE-N-LOK(TM) SIZE: A 00779 C=350345 CUSTOMER DRAWING		RESTRICTED TO: - SCALE: 5:1 SHEET 1 OF 1 REV E	

